



DELFIELD®
A Welbilt Brand

2022 PRICE LIST

SUGGESTED LIST PRICE STANDARD EQUIPMENT AND ACCESSORIES



FRESH SOLUTIONS,
FIT FOR YOU

EFFECTIVE | APRIL 1, 2022

CONTACT DELFIELD

To contact Delfield directly, dial the number below. If you know your party's extension, you may dial it at any time. Press 1 for Technical Support, Press 2 for Parts Identification, Press 3 for Equipment Sales, Press 4 for a Departmental Listing, Press # to dial by name. All info is also available online at www.delfield.com.

(800) 733.8821

INTERNATIONAL CUSTOMERS: +1 (989) 773.7981

WWW.DELFIELD.COM

FOR DELFIELD SALES & CUSTOMER SUPPORT

Sales and Customer Service Representatives are available from 8 am to 5 pm eastern time, Monday through Friday. Our highly trained Sales and Customer Service representatives will be happy to assist you with any of your questions and will make sure you are taken care of.

(800) 733.8948 OR +1 (989) 773.7981

INTERNATIONAL EQUIPMENT

Equipment for international destination is subject to additional charges. Call Toll Free Customer Service (800) 733.8948 for approval and quotation.

FOR PARTS AND SERVICE CONTACT KITCHENCARE

KitchenCare helps protect, service, and maintain your food service equipment throughout the lifecycle of your business. KitchenCare is designed to give you choices in caring for your equipment, no matter if you have one restaurant or multi-unit operations. Every new piece of Welbilt equipment comes with KitchenCare. Structured around levels of support to meet your operational needs from one restaurant to multiple units, you are able to choose the just the right level of support.

(844) 724.2273



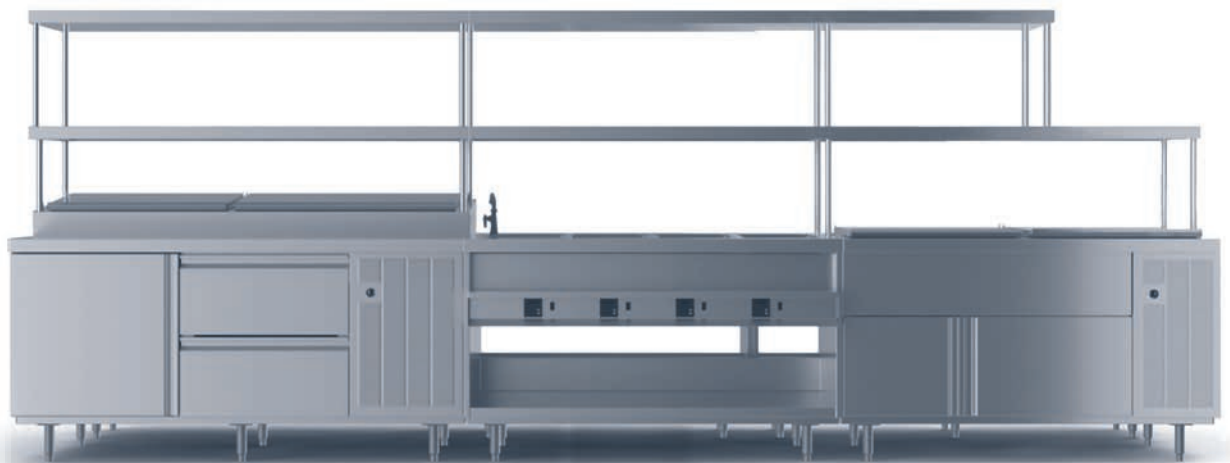
INDEX BY EQUIPMENT TYPE

An introduction to each product line precedes its pricing section.

ORDERING INFORMATION	8	Drop-Ins Food Wells	84-85
ACCESSORIES		Food Table	42
Blast Chiller/Shock Freezers	23	Pass-Thrus	11-12
Coolscapes	20-21	Reach-Ins	10-11
Display Cases	47	Roll-Ins	13
Drop-Ins/Built-Ins	88	Roll-Thrus	14
EHEI	42	Serving Counters	53, 59
Equipment Stands	40	LETTUCE AND VEGETABLE SPIN DRIER	89
Mobile Dispensing Equipment	98	ECOMARK COMPONENT	
Prep Tables	36-37	CRAFTED EQUIPMENT	PLEASE SEE SEPARATE BOOK
Reach-Ins	15	ECOMARK PREP TABLES	29-31
Serving Lines	70-73	RACK DISPENSERS	
Specification Line	15	Drop-In	87
Undercounter Refrigerators and Freezers	25	Mobile	95-96
Work Tables Refrigerated and Freezer	28	RADIAL DROP-INS	84
BLAST CHILLERS/SHOCK FREEZERS	22-23	REFRIGERATORS	
COOLSCAPES	16-20	Bases	27
CASHIER STANDS	60, 68	Bases, Salad Top	30
DISH DISPENSERS		Bases, Mega Top	31
Drop-In	83	Combo Hot/Cold Serving Counter	55, 63
Mobile Enclosed Frame	90-93	Display	45-46
DISPLAY CASES		Drop-In Food Wells	80-81
Drop-In	44	Dual Temp	12
Refrigerated	45-46	Equipment Stands	38-39
DROP-INS		Pass-Thru	11-12
Cold Pans	76-79	Reach-In	10-11, 19-20
Cold Slab	80	Roll-In	13
Combo Hot/Cold	81	Roll-Thru	14
Dish Dispensers	85	Serving Counter	62
Display Cases	45-47	Work Table	26-27
Freezer	76	Undercounter	24-25
Frost Tops	80	SERVING COUNTERS	
Heated Food Wells	82-84	All purpose	59, 67
LiquiTec®	79	Beverage	58, 66
Radial	84	Combination Hot/Cold	55, 63
Sink, Faucets & Glass Fillers	77	Frost Top	56, 64
Tray and Rack Dispenser	87	Heated	53
Water Station and Ice Storage	77	Ice Pan	65
EHEI	41-42	Refrigerated	54, 62
EQUIPMENT STANDS		Refrigerated Display	45-46
Low Profile Refrigerated and Freezer Base	38-39	SPECIFICATION LINE	
FLEXISHIELD FOODSHIELDS	48-52	Reach-in refrigerator & freezers	10
FREEZERS		Heated Reach-in & pass-thru	11
Bases	27	Dual Temp & pass-thru refrigerator & freezers	12
Drop-In	77	Roll-ins	13
Dual Temp	12	Roll-thrus & specialty	14
Equipment Stands	38-39	TRAY DISPENSERS	
Pass-Thrus	11-12	Drop-In/Built In	85
Reach-Ins	10-11, 19-20	Mobile Cantilever Frame	95
Roll-ins	13	Mobile Enclosed Frame	92
Serving Counters	53-57	Mobile Open Frame	97
Undercounter	16, 24-25	UTILITY CARTS	97
Work Tables	16, 18-25	WORK TABLES	26-27
HEATED UNITS		UNDERCOUNTER	24-25
Combo Hot/Cold Serving Counter	55, 63		
Dish Dispensers	91-94		

Chef's Counters
Serving Systems
Engineered Products

INFINITE POSSIBILITIES.



WHAT IS DELFIELD ECOMARK FABRICATION EQUIPMENT?

CUSTOM FABRICATION WITH STANDARD COMPONENTS

CHEF'S COUNTERS



Delfield brings a different approach to custom fabrication. With any piece of equipment, such as utility storage, hot food table or glass rack cabinets, similar components are used. This holds true with freezers, refrigerators, prep tables, salad tables and so on. What Delfield has mastered is developing standard components that are consistent from job to job, year to year and month to month. What does this do for you? For one, the ability to purchase equipment that can be installed anywhere in the country and be assured it's the same each and every time. In addition, serviceability is increased due to common parts and labor is saved due to service technician's familiarity with the equipment. By developing common components in custom equipment Delfield is able to provide consistent pricing, no matter what time of year or how busy we happen to be.

SERVING SYSTEMS



Using the component crafted custom fabrication approach allows you to develop thousands of different equipment configurations while maintaining consistency throughout the equipment. Don't think for a minute that this technique takes away from the quality of the equipment. It's quite the opposite, Delfield's ability to produce commonality in our equipment is a great value in many ways to our customer.

Delfield allows many of these components to be modified but remain similar in construction. This is the advantage of using Delfield over local custom fabrication. Our solid modeling capabilities, automated part demand flow, leading edge break presses, lasers and punches all give Delfield customers consistent precise products versus antiquated pencil marked, hand braked parts.

DELFIELD ECOMARK FABRICATION EQUIPMENT

Start building your dream counter now! All of these units can be combined under one continuous top (up to 168" long) Each unit can be quickly splined together or field welded, for seamless appearance.

GENERAL

- R290 or R-404A refrigerant options
- All units can be provided with optional 14-gauge stainless steel tops
- Special electrical requirements available on all units
- All refrigerators can be supplied remote or self contained

14 SERIES — HOT FOOD TABLES



- Standard 16-gauge tops
- Electric
- Individually controlled or single tank water bath
- Standard with drains and manifold
- Optional cutting board
- Optional auto fill
- Available in any length

15 SERIES — DISPLAY CASES



- Standard 16-gauge tops
- 24" or 30" deep under display section
- Mirror back, single service display with a see through display section with glass doors on both sides.
- Available in 4' and 6' lengths
- Optional locks
- Optional additional shelves
- Optional mirrored interior doors

16 SERIES — UTILITY STANDS



- Standard 16-gauge tops
- Open shelf
- Dry drawer
- Hinged door
- Sliding door
- Available in any length
- Optional door/drawer locks
- Optional urn trough
- 10 year drawer warranty

17 SERIES — EQUIPMENT STANDS



- Standard 18-gauge tops
- Standard maple cutting board
- Open shelf
- Dry drawer
- Refrigerated & freezer storage
- Optional doors
- Door/drawer locks
- Freezers from 43" to 94"
- Refrigerators from 39" to 122"
- Available for bottom mounted ventilation
- Full height sides and back for quick assembly into full equipment lineup
- Feature Delfield's exclusive Full Extension Plus Drawer System

DELFIELD ECOMARK FABRICATION EQUIPMENT

GENERAL

- R290 or R-404A refrigerant options
- All units can be provided with optional 14-gauge stainless steel tops
- Special electrical requirements available on all units
- All refrigerators can be supplied remote or self contained

18 SERIES — WORK TABLES



- Standard 16-gauge tops
- Refrigerated or freezer models available
- Optional 2 high and 3 high drawers
- Available up to 126" with four door/drawer fronts
- Optional tray racks

18 SERIES — SALAD AND MEGA TOP



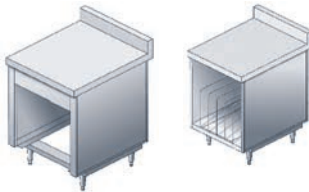
- Available from 36" to 132" with (4) base fronts
- Optional pans and adapter bars
- Number of pans to suit any need; 6 to 26 on salad tops and up to 42 on mega tops
- Optional cover styles.

18 SERIES — PIZZA PREP AND SANDWICH TABLES



- Available from 36" to 132" with (4) base fronts
- Optional cutting boards
- Optional 2 high and 3 high drawers
- Optional locks available
- Drain and gate valve available
- Optional pans and adapter bars
- Optional tray racks

20, 21, 22, SERIES — TOP EXTENSIONS AND ADD ON UNITS



- Available in any length and size
- Top extensions
- Dish rack and dispensers
- Food warmers
- Tilt out waste bins
- Hinged door waste bin
- Syrup tank storage cabinet
- Oval tray storage
- Build these units into any common top to come up with your desired length

Finish your line off with multiple options. Overshelves, finished backs and ends, tray slides, heat lamps, and outlets are all available to dress your counter. Make your vision a reality with Delfield Custom! Contact us at 800-733-8821 for a custom quote or pricing.

NEED A QUOTE?

Delfield Sales ATTN: _____

Dealer ATTN: _____

FIELD QUOTE REQUEST

Project Name: _____ Bid Date: _____

Location: (City/State): _____ Install Date: _____

Consultant: _____ Phone Number: _____

- IS LINE UP: EcoMark Shelley
- REFRIGERATED UNITS: Self-contained Remote
- HOT FOOD WELLS: Individual Open Bath
- PRE WIRED TO: Breaker Panel J-Box
- ARE DRAWINGS AVAILABLE: Plan Elevation (scale) Hand Sketch
- SIMILAR TO A JOB PREVIOUSLY QUOTED: Name: _____
- ACCESSORIES SUPPLIED AND INSTALLED BY DELFIELD: Yes No
- CUSTOMER SUPPLIED/INSTALLED BY DELFIELD: Yes No
- FIELD INSTALLED BY CUSTOMER: Yes No
- ANY SIZE RESTRICTIONS FOR INSTALLATION SITE: Max Size: _____
- FINISH OF EQUIPMENT: S/S Laminate
- IS THIS A: Quote Only Quote and Drawing

KEY FOR LABELING DRAWING:

- A: Dry Storage Unit Refrigerated
- B: Raised Refrigerated Rail Salad Opening LiquiTec®
- C: Hot Food Wells Mega Top Opening Standard ESP
- D: Pass-thru Storage Refrigerated Open Shelf
- E: Dry Drawer Roll Warmer Refrigerated Drawers
- F: Overshelf Single Double Width: _____
- Pot Rack Single/Double Oval
- G: Microwave Shelf: Length: _____ Width: _____
- H: Outlets Heat Lamps Empty Baskets
- I: Hand Sink: Size: _____
- J: Standard Units
- K: Top Extension
- L: Open Storage Sliding Door Hinged Door

Reach-In Refrigerators
and Freezers
Pass-Thrus
Dual Temps
Roll-Ins and Roll-Thrus
Specialty



GAR — REACH-IN REFRIGERATORS | GAF — REACH-IN FREEZERS



GAR1P-SH

- GreenGenius™ R290 top mount refrigeration system featuring TXV expansion valve and hot gas condensate removal
- easyTouch Control with remote monitoring capability
- Digital exterior temperature display with high/low temp visual alarms
- Energy saving LED interior light
- Removable side louver
- Accommodates full size sheet pans (void on narrow models)
- Smart door hinge that auto closes up to 90° and stays open past 90° (void on sliding glass door models)
- Patented, lifetime warranty integral door handle (solid doors only)
- Energy efficient door gasket – removable without tools
- Door locks
- 5" locking casters shipped loose for field installation
- 10' cord and plug attached
- Stainless steel exterior front, sides & interior
- Field rehingable doors - full height doors only
- Stainless steel pilaster with shelf clips
- 3 chrome shelves per section standard
- 115V / 60C / 1 P Standard
- 3 year parts and labor warranty and an additional 4-year compressor parts warranty

MODEL	DESCRIPTION	V/HZ/PH	AMPS	VOLUME CU. FT.	SHELF CAPACITY SQ. FT.	# OF SHELVES	UNIT H.P.	BTU/HR SYSTEM CAP	SHIP WEIGHT	NEMA PLUG	LIST PRICE
REFRIGERATORS											
GAR1P-S	One section, Full height solid door	115/60/1	4.2	21	11.5	3	0.22	1799	351 lbs	5-15P	\$18,013
GAR2P-S	Two section, Full height solid door	115/60/1	6	46	25.25	6	0.35	2385	495 lbs	5-15P	\$24,194
GAR3P-S	Three section, Full height solid door	115/60/1	6.5	71	39	9	0.38	3630	767 lbs	5-15P	\$33,755
GAR1P-SH	One section, Half height solid door	115/60/1	4.2	21	11.5	3	0.22	1799	351 lbs	5-15P	\$19,290
GAR2P-SH	Two section, Half height solid door	115/60/1	6	46	25.25	6	0.35	2385	495 lbs	5-15P	\$25,433
GAR3P-SH	Three section, Half height solid door	115/60/1	6.5	71	39	9	0.38	3630	767 lbs	5-15P	\$35,446
GAR1P-G	One section, Full height glass door	115/60/1	4.2	21	11.5	3	0.22	1799	236 lbs	5-15P	\$19,535
GAR2P-G	Two section, Full height glass door	115/60/1	6	46	25.25	6	0.35	2385	322 lbs	5-15P	\$25,798
GAR3P-G	Three section, Full height glass door	115/60/1	6.5	71	39	9	0.38	3630	485 lbs	5-15P	\$36,992
GAR1P-GH	One section, Half height glass door	115/60/1	4.2	21	11.5	3	0.22	1799	236 lbs	5-15P	\$21,088
GAR2P-GH	Two section, Half height glass door	115/60/1	6	46	25.25	6	0.35	2385	322 lbs	5-15P	\$27,810
GAR3P-GH	Three section, Half height glass door	115/60/1	6.5	71	39	9	0.38	3630	485 lbs	5-15P	\$39,274
GAR2P-GL	Two section, Full height sliding glass door	115/60/1	6	46	25.25	6	0.38	3630	490 lbs	5-15P	\$31,888
GAR1NP-S	One section narrow, Full height solid door	115/60/1	4.2	18	9.75	3	0.22	1799	361 lbs	5-15P	\$18,322
GAR2NP-S	Two section narrow, Full height solid door	115/60/1	6	40	21.75	6	0.35	2385	632 lbs	5-15P	\$23,561
GAR1NP-SH	One section narrow, Half height solid door	115/60/1	4.2	18	9.75	3	0.22	1799	361 lbs	5-15P	\$19,972
GAR2NP-SH	Two section narrow, Half height solid door	115/60/1	6	40	21.75	6	0.35	2385	632 lbs	5-15P	\$25,679
GAR1NP-G	One section narrow, Full height glass door	115/60/1	4.2	18	9.75	3	0.22	1799	391 lbs	5-15P	\$20,630
GAR2NP-G	Two section narrow, Full height glass door	115/60/1	6	40	21.75	6	0.35	2385	652 lbs	5-15P	\$25,369
GAR1NP-GH	One section narrow, Half height glass door	115/60/1	4.2	18	9.75	3	0.22	1799	391 lbs	5-15P	\$21,382
GAR2NP-GH	Two section narrow, Half height glass door	115/60/1	6	40	21.75	6	0.35	2385	652 lbs	5-15P	\$27,319
FREEZERS											
GAF1P-S	One section, Full height solid door	115/60/1	7.2	21	11.5	3	0.55	2035	354 lbs	5-15P	\$21,088
GAF2P-S	Two section, Full height solid door	115/60/1	10	46	25.25	6	0.68	2485	495 lbs	5-15P	\$27,013
GAF3P-S	Three section, Full height solid door	115/60/1	14.7	71	39	9	(2X)0.55	4065	772 lbs	5-20P	\$38,953
GAF1P-SH	One section, Half height solid door	115/60/1	7.2	21	11.5	3	0.55	2035	354 lbs	5-15P	\$22,805
GAF2P-SH	Two section, Half height solid door	115/60/1	10	46	25.25	6	0.68	2485	495 lbs	5-15P	\$28,190
GAF3P-SH	Three section, Half height solid door	115/60/1	14.7	71	39	9	(2X)0.55	4065	772 lbs	5-20P	\$41,021

Specification Line accessories and modifications can be found on page 15.

SPECIFICATION LINE® REACH-INS/PASS-THRUS

GAH — REACH-IN HEATED | GAHPT — PASS-THRU HEATED



GAH1-SH

- easyTouch Control with remote monitoring capability
- Digital exterior temperature display with high/low temp visual alarms
- Removable side louver
- Accommodates full size sheet pans
- Stainless steel interior door liner
- Smart door hinge that auto closes up to 90° and stays open past 90°
- Patented, lifetime warranty integral door handle (solid doors only)
- Energy efficient door gasket – removable without tools
- Door locks
- 40 watt incandescent light

- 5" locking casters shipped loose for field installation
- 10' cord and plug attached
- Stainless steel exterior front, sides & interior
- Field rehingable doors - full height doors only
- Stainless steel pilaster with shelf clips
- 3 chrome shelves per section standard
- 3 year parts and labor warranty

MODEL	DESCRIPTION	V/HZ/PH	AMPS	VOLUME CU. FT.	SHELF CAPACITY SQ. FT.	# OF SHELVES	UNIT H.P.	BTU/HR SYSTEM CAP	SHIP WEIGHT	NEMA PLUG	LIST PRICE
HEATED REACH-INS											
GAH1-S	One section, Full height solid door	208-240/60/1	6	21	11.5	3	N/A	N/A	333 lbs	6-20P	\$15,257
GAH2-S	Two section, Full height solid door	208-240/60/1	10.5	46	25.5	6	N/A	N/A	630 lbs	6-20P	\$22,648
GAH1-SH	One section, Half height solid door	208-240/60/1	6	21	11.5	3	N/A	N/A	333 lbs	6-20P	\$16,859
GAH2-SH	Two section, Half height solid door	208-240/60/1	10.5	46	25.5	6	N/A	N/A	630 lbs	6-20P	\$24,200
GAH1-G	One section, Full height glass door	208-240/60/1	6	21	11.5	3	N/A	N/A	361 lbs	6-20P	\$16,031
GAH2-G	Two section, Full height glass door	208-240/60/1	10.5	46	25.5	6	N/A	N/A	640 lbs	6-20P	\$24,882
GAH1-GH	One section, Half height glass door	208-240/60/1	6	21	11.5	3	N/A	N/A	361 lbs	6-20P	\$17,516
GAH2-GH	Two section, Half height glass door	208-240/60/1	10.5	46	25.5	6	N/A	N/A	640 lbs	6-20P	\$26,680
HEATED PASS-THRUS											
GAHPT1-S	One section, Full height solid door	208-240/60/1	6	23	11.5	3	N/A	N/A	333 lbs	6-20P	\$18,502
GAHPT2-S	Two section, Full height solid door	208-240/60/1	10.5	50	25.5	6	N/A	N/A	630 lbs	6-20P	\$31,517
GAHPT1-SH	One section, Half height solid door	208-240/60/1	6	23	11.5	3	N/A	N/A	333 lbs	6-20P	\$20,130
GAHPT2-SH	Two section, Half height solid door	208-240/60/1	10.5	50	25.5	6	N/A	N/A	630 lbs	6-20P	\$33,360
GAHPT1-G	One section, Full height glass door	208-240/60/1	6	23	12.12	3	0.22	N/A	631 lbs	6-20P	\$20,652
GAHPT2-G	Two section, Full height glass door	208-240/60/1	10.5	50	26.5	6	0.38	N/A	640 lbs	6-20P	\$35,443
GAHPT1-GH	One section, Half height glass door	208-240/60/1	6	23	12.12	3	0.22	N/A	631 lbs	6-20P	\$22,262
GAHPT2-GH	Two section, Half height glass door	208-240/60/1	10.5	50	26.5	6	0.38	N/A	640 lbs	6-20P	\$37,864

Specification Line accessories and modifications can be found on page 15.

SPECIFICATION LINE® DUAL TEMPS/PASS-THRUS

GADT — DUAL TEMP | GARPT — PASS-THRU REFRIGERATORS | GAFPT — PASS-THRU FREEZERS



GARPT2P-G

- GreenGenius™ R290 top mount refrigeration system featuring TXV expansion valve and hot gas condensate removal
- easyTouch Control with remote monitoring capability
- Digital exterior temperature display with high/low temp visual alarms
- Energy saving LED interior light
- Removable side louver
- Accommodates full size sheet pans
- Raised ABS interior door liner
- Smart door hinge that auto closes up to 90° and stays open past 90°
- Patented, lifetime warranty integral door handle (solid doors only)
- Energy efficient door gasket - removable without tools
- Door locks
- 5" locking casters shipped loose for field installation
- 10' cord and plug attached
- Stainless steel exterior front, sides & interior
- Field rehingable doors - full height doors only
- Stainless steel pilaster with shelf clips
- 4 chrome shelves per section standard
- 115V / 60C / 1 P Standard
- 3 year parts and labor warranty and an additional 4 year compressor parts warranty

MODEL	DESCRIPTION	V/HZ/PH	AMPS	VOLUME CU. FT.	SHELF CAPACITY SQ. FT.	# OF SHELVES	UNIT H.P.	BTU/HR SYSTEM CAP	SHIP WEIGHT	NEMA PLUG	LIST PRICE
-------	-------------	---------	------	----------------	------------------------	--------------	-----------	-------------------	-------------	-----------	------------

DUAL TEMPS

GADTR1P-SH	One section, Half height solid door	115/60/1	6	21	(4x)8.6	4	(REF)0.20 (FRZR)0.315	1094 1453	398 lbs	5-15P	\$25,724
GADBR1P-SH	One section, Half height solid door	115/60/1	6	21	(4x)8.6	4	(REF)0.20 (FRZR)0.315	1094 1453	398 lbs	5-15P	\$25,724
GADFL2P-S	Two section, Full height solid door	115/60/1	6	46	(8x)8.6	8	(REF)0.20 (FRZR)0.315	TBD	TBD	5-15P	\$30,491
GADRL2P-S	Two section, Full height solid door	115/60/1	6	46	(8x)8.6	8	(REF)0.20 (FRZR)0.315	TBD	TBD	5-15P	\$30,491

REFRIGERATOR, FREEZER PASS-THRUS

GARPT1P-S	One section, Full height solid door	115/60/1	4.2	23	12.12	3	0.22	1799	448 lbs	5-15P	\$20,928
GARPT2P-S	Two section, Full height solid door	115/60/1	6.5	50	26.5	6	0.38	3320	652 lbs	5-15P	\$31,049
GARPT1P-SH	One section, Half height solid door	115/60/1	4.2	23	12.12	3	0.22	1799	448 lbs	5-15P	\$22,817
GARPT2P-SH	Two section, Half height solid door	115/60/1	6.5	50	26.5	6	0.38	3320	652 lbs	5-15P	\$32,420
GARPT1P-G	One section, Full height glass door	115/60/1	4.2	23	12.12	3	0.22	1799	472 lbs	5-15P	\$21,920
GARPT2P-G	Two section, Full height glass door	115/60/1	6.5	50	26.5	6	0.38	3320	680 lbs	5-15P	\$34,118
GARPT1P-GH	One section, Half height glass door	115/60/1	4.2	23	12.12	3	0.22	1799	472 lbs	5-15P	\$24,672
GARPT2P-GH	Two section, Half height glass door	115/60/1	6.5	50	26.5	6	0.38	3320	680 lbs	5-15P	\$35,934
GAFPT1P-S	One section, Full height solid door	115/60/1	7.2	23	12.12	3	0.55	1968	452 lbs	5-15P	\$23,819
GAFPT2P-S	Two section, Full height solid door	115/60/1	10	50	26.5	6	(2X)0.55	3936	482 lbs	5-20P	\$33,091
GAFPT1P-SH	One section, Half height solid door	115/60/1	7.2	23	12.12	3	0.55	1968	452 lbs	5-15P	\$25,220
GAFPT2P-SH	Two section, Half height solid door	115/60/1	10	50	26.5	6	(2X)0.55	3936	482 lbs	5-15P	\$36,112

Specification Line® Reach-Ins accessories and modifications can be found on page 15.

SPECIFICATION LINE® ROLL-INS

GARRI — ROLL-IN REFRIGERATOR | GAFRI — ROLL-IN FREEZER | GAHRI — ROLL-IN HEATED



GARRI1P-S

- GreenGenius™ R290 top mount refrigeration system featuring TXV expansion valve and hot gas condensate removal
- easyTouch Control with remote monitoring capability
- Digital exterior temperature display with high/low temp visual alarms
- Energy saving LED interior light (40 watt incandescent light on heated models)
- Removable side louver
- Accommodates full size sheet pans
- Smart door hinge that auto closes up to 90° and stays open past 90°
- Energy efficient door gasket – removable without tools
- Door locks
- Includes 14 GA stainless steel ramp - 1" tall with a 10 degree slope
- Raised ABS door liner (refrigerator/freezer models only)
- Stainless steel door liner (heated units only)
- 10' cord and plug attached
- Stainless steel exterior front, sides & interior
- 3 year parts and labor warranty and an additional 4 year compressor parts warranty

MODEL	DESCRIPTION	V/HZ/PH	AMPS	VOLUME CU. FT.	SHELF CAPACITY SQ. FT.	# OF SHELVES	UNIT H.P.	BTU/HR SYSTEM CAP	SHIP WEIGHT	NEMA PLUG	LIST PRICE
GARRI1P-S	One section, Full height solid door	115/60/1	6	37	N/A	N/A	0.35	2385	446 lbs	5-15P	\$21,011
GARRI2P-S	Two section, Full height solid door	115/60/1	6.5	76.5	N/A	N/A	0.38	3320	715 lbs	5-15P	\$28,638
GARRI1P-G	One section, Full height glass door	115/60/1	6	37	N/A	N/A	0.35	2385	486 lbs	5-15P	\$23,418
GARRI2P-G	Two section, Full height glass door	115/60/1	6.5	76.5	N/A	N/A	0.38	3320	745 lbs	5-15P	\$31,069
GAFRI1P-S	One section, Full height solid door	115/60/1	10	37	N/A	N/A	0.68	2194	466 lbs	5-15P	\$23,658
GAFRI2P-S	Two section, Full height solid door	115/60/1	14.7	76.5	N/A	N/A	(2X) 0.55	3936	690 lbs	5-20P	\$34,944
GAHRI1-S	One section, Full height solid door	208-240/60/1	6	37	N/A	N/A	N/A	N/A	446 lbs	6-20P	\$19,631
GAHRI2-S	Two section, Full height solid door	208-240/60/1	10.5	76.5	N/A	N/A	N/A	N/A	715 lbs	6-20P	\$27,030
GAHRI1-G	One section, Full height glass door	208-240/60/1	6	37	N/A	N/A	N/A	N/A	486 lbs	6-20P	\$21,956
GAHRI2-G	Two section, Full height glass door	208-240/60/1	10.5	76.5	N/A	N/A	N/A	N/A	745 lbs	6-20P	\$30,172

Specification Line® Reach-Ins accessories and modifications can be found on page 15.

GARRT - ROLL-THRU REFRIGERATOR | GAHRT - ROLL-THRU HEATED | GAFF-D - FISH FILE



GARRT1P-S

- GreenGenius™ R290 top mount refrigeration system featuring TXV expansion valve and hot gas condensate removal
- easyTouch Control with remote monitoring capability
- Digital exterior temperature display with high/low temp visual alarms
- Energy saving LED interior light (40 watt incandescent light on heated models)
- Removable side louver
- Accommodates full size sheet pans
- Raised ABS interior door liner (Refrigerated models only)
- Stainless steel door liner (heated units only)
- Smart door hinge that auto closes up to 90° and stays open past 90°
- Stainless steel door liner (v units only)
- Energy efficient door gasket – removable without tools
- Door locks
- 10' cord and plug attached
- Includes 14 GA stainless steel ramp - 1" tall with a 10 degree slope
- Stainless steel exterior front, sides & interior
- 3 year parts and labor warranty and an additional 4 year compressor parts warranty

MODEL	DESCRIPTION	V/HZ/PH	AMPS	VOLUME CU. FT.	SHELF CAPACITY SQ. FT.	# OF SHELVES	UNIT H.P.	BTU/HR SYSTEM CAP	SHIP WEIGHT	NEMA PLUG	LIST PRICE
GARRT1P-S	One section, Full height solid door	115/60/1	6	39	N/A	N/A	0.35	2385	486 lbs	5-15P	\$24,448
GARRT2P-S	Two section, Full height solid door	115/60/1	6.5	80.5	N/A	N/A	0.38	3320	683 lbs	5-15P	\$33,504
GAHRT1-S	One section, Full height solid door	208-240/60/1	6	39	N/A	N/A	N/A	N/A	465 lbs	6-20P	\$24,012
GAHRT2-S	Two section, Full height solid door	208-240/60/1	10.5	80.5	N/A	N/A	N/A	N/A	683 lbs	6-20P	\$33,444
GARFF1P-D	One Section, Fish File Drawers with S/S interior	115/60/1	6	39	N/A	N/A	0.35	2385	TBD	5-15P	\$28,502

Specification Line® Reach-Ins accessories and modifications can be found on page 15.

SPECIFICATION LINE® SERIES ACCESSORIES

PART #	DESCRIPTION	AVAIL. ON MODELS	LIST PRICE	PART #	DESCRIPTION	AVAIL. ON MODELS	LIST PRICE
AS000-AXC-003C	Stainless Steel Back 2 Section Roll-In	RI	\$208	AS000-CVK-0038	Kick Plate (3 Section) — Front/Back (For Use With 5" Caster)	R	\$392
AS000-AXC-003D	Stainless Steel Back 1 Section Roll-In	RI	\$147	AS000-CVK-0039	Kick Plate (1 Section — Narrow) Front/Back (For Use With 5" Caster)	R	\$187
AS000-B6R-0039	Utility Base (1 Section)	R, DT	\$552	AS000-CVK-003A	Kick Plate (2 Section — Narrow) Front/Back (For Use With 5" Caster)	R	\$274
AS000-B6R-003A	Utility Base (2 Section)	R, DT	\$778	AS000-CVK-003B	Kick Plate — Side (For Use With 5" Caster)	R, PT, DT	\$145
AS000-B6R-003B	Utility Base (3 Section)	R	\$983	AS000-CYT-0058	6" Ride Height Casters (1 Or 2 Section)	R, PT, DT	N/C
AS000-B6R-003C	Utility Base (1 Section Narrow)	R	\$552	AS000-CYT-005A	6" Ride Height Casters (3 Section)	R	N/C
AS000-B6R-003D	Utility Base (2 Section Narrow)	R	\$778	AS000-CYT-005B	6" Stainless Steel Legs (1 Or 2 Section)	R, PT, DT	\$163
AS000-B6R-003E	Utility Base (1 Section Pass-Thru)	PT	\$512	AS000-CYT-005D	6" Stainless Steel Legs (3 Section)	R	\$240
AS000-B6R-003F	Utility Base (2 Section Thru)	PT	\$778	AS000-CYT-005G	6" Stainless Steel Flanged Feet (1 Or 2 Section)	R, PT, DT	\$304
AS000-B88-0030	Export/Transformer 220-240V/50 or 60 Hz (Shipped Loose)	R, PT, DT, RI, RT	\$2,125	AS000-CYT-005I	6" Stainless Steel Flanged Feet (3 Section)	R	\$437
AS000-BCS-0032	Trim Strips	R, PT, DT, I, RT	\$269	AS000-CZ9-0034	Two Drawers In Place Of 1/2 Height Door (Bottom Section Only)		\$5,668
AS000-BCS-0033	Angle Molding	R, PT, DT, RI, RT	\$80	COVPEDAL	Foot Pedal		\$528
AS000-BF3-0050	Prison Package - Reach In 1 Dr		\$1,055	AS2196159	Humidity Sensor		\$264
AS000-BF3-0052	Prison Package - Reach In 2 Dr		\$1,179	AS269-AFJ-0044	Ramp, Ri/Rt, Flat	RI, RT	N/C
AS000-BF3-0058	Prison Package - Reach In 3 Dr		\$2,233	AS359-CT7-0035	Stainless Steel Back (1 Section)	R, PT, DT	\$2,069
AS000-BF3-0062	Prison Package - Rollin/Roll-Thru 1 Dr		\$674	AS359-CT7-0037	Stainless Steel Back (3 Section)	R	\$4,936
AS000-BF3-0063	Prison Package - Rollin/Roll-Thru 2 Dr		\$1,040	AS359-CT7-0039	Stainless Steel Back (1 Section Narrow)	R	\$2,566
AS000-CTA-003M	Flat Stainless Steel Door Liner (Full Height)	R, PT, RI, RT	N/C	AS359-CT7-003G	Stainless Steel Back (2 Section)	R, PT, DT	\$3,466
AS000-CTA-003N	Flat Stainless Steel Door Liner (Half Door-Top Lt, Btm Rt Section)	R, PT, DT	N/C	AS359-CT7-003Q	Stainless Steel Back (2 Section Narrow)	R	\$4,450
AS000-CTA-003P	Flat Stainless Steel Door Liner (Half Door-Btm Lt, Top Rt Section)	R, PT, DT	N/C	AS3978319	Stainless Steel Shelf Bridge Htd	R	\$80
AS000-CTA-003Q	Flat Stainless Steel Door Liner (Full Height)	R	N/C	AS3978320	Stainless Steel Shelf Htd— (Per Shelf)	R	\$287
AS000-CTA-003R	Flat Stainless Steel Door Liner - Narrow (Half Door-Btm Lt, Top Rt Section)	R	N/C	AS3978322	Stainless Steel Shelf Narrow	R	\$287
AS000-CTA-003S	Flat Stainless Steel Door Liner - Narrow (Half Door-Top Lt, Btm Rt Section)	R	N/C	AS3978324	Stainless Steel Shelf Dual Temp 20" Deep	DT	\$287
AS000-CTA-0045	Half Height Solid Stainless Steel Door Pair In Lieu Of One Full Height Hinged Solid Door (Refg & Frz)		\$1,289	AS3978325	Stainless Steel Shelf Dual Temp 26" Deep	DT	\$287
AS000-CTA-0048	Half Height Solid Stainless Steel Door Pair In Lieu Of One Full Height Hinged Solid Door (Narrow)		\$1,050	AS3978326	Stainless Steel Refg/Frz Shelf (Per Shelf)	R	\$287
AS000-CTA-004C	Half Height Solid Stainless Steel Door Pair In Lieu Of One Full Height Hinged Solid Door (Htd)		\$872	AS3978327	Stainless Steel Shelf	PT	\$287
AS000-CTA-006C	One Half Height Glass Door In Lieu Of One Half Height Stainless Steel Door (Top Left Or Bottom Right Section) — Heated	R, PT	\$1,463	AS3978328	Stainless Steel Bridge	R	\$80
AS000-CTA-006E	Full Height Glass Door In Lieu Of Full Height Stainless Steel Door Roll-In/Roll-Thru (Right) — Heated	RI, RT	\$1,964	AS3978329	Additional Shelf Htd— Chrome (Per Shelf)	R	\$238
AS000-CTA-006F	Full Height Glass Door In Lieu Of Full Height Stainless Steel Door Roll-In/Roll-Thru (Left) — Heated	RI, RT	\$1,964	AS3978330	Additional Shelf Narrow	R	\$238
AS000-CTA-006J	One Half Height Glass Door In Lieu Of One Half Height Stainless Steel Door (Top Left Or Bottom Right Section) — Refrigerator	R, PT, DT	\$2,117	AS3978331	Additional Shelf Dual Temp 20" Deep	DT	\$238
AS000-CTA-006P	Flat Stainless Steel Door Liner Lt (Roll-In/Roll-Thru)	RI, RT	N/C	AS3978332	Additional Shelf Dual Temp 26" Deep	DT	\$238
AS000-CTA-006Q	Flat Stainless Steel Door Liner Rt (Roll-In/Roll-Thru)	RI, RT	N/C	AS3978333	Additional Shelf Ref/Frz— Chrome (Per Shelf)	R	\$238
AS000-CTA-006R	Glass Door— (Full Narrow Height) In Lieu Of Solid S/S Door		\$2,027	AS3978334	Additional Shelf	PT	\$238
AS000-CTA-006S	Glass Door — (Half Narrow Height Top Or Bottom) Pair In Lieu Of Solid S/S Door		\$2,838	AS3978335	Chrome Bridge	R	\$76
AS000-CTA-006U	Glass Door — (Full Height) In Lieu Of Solid S/S Door		\$3,024	AS3978336	Chrome Bridge	H	\$44
AS000-CTA-006V	Glass Door — (Half Height Top Or Btm) Pair In Lieu Of Solid S/S Door		\$4,234	CSCASTER	Mounted On Legs/Casters From Factory	R, PT, DT	\$356
AS000-CTA-006X	Glass Door— (Full Htd Height) In Lieu Of Solid S/S Door		\$1,894	G263-CTM-0030	TS1 — 18x26" Pan Flange Support (Per Pair)	R, PT	\$68
AS000-CTA-006Z	Glass Door — (Half Htd Height Top Or Btm) Pair In Lieu Of Solid S/S Door		\$2,838	G263-CTM-0032	TS3 — 12x20" Pan Flange Support (Per Pair)	R, PT	\$72
AS000-CV8-0030	2" Curb — 1 Section	R, PT, DT	\$181	G263-CTM-0033	TS2 — 12x20" Pan Or 18x26" Pan Bottom Support (Per Pair)	R, PT	\$137
AS000-CV8-0031	2" Curb — 2 Section	R, PT, DT	\$245	G263-CTM-0037	TS2-H — 12x20/18x26 Bottom Sprt Htd Cab (Pair)	H	\$108
AS000-CV8-0032	2" Curb — 3 Section	R	\$362	G263-CTM-0038	TS3-H — 12x20 Flange Support Htd Cab (Pair)	H	\$202
AS000-CV8-0033	2" Curb — 1 Section (Narrow)	R	\$181	G263-CUW-0030	TS4 — One Pair Rod Type 18 Levels 18x26" Flange Support	R, PT	\$430
AS000-CV8-0034	2" Curb — 2 Section (Narrow)	R	\$245	G263-CUW-0032	TS4-H—One Pair Rod Type 18 Levels 18x26 Htd Cab	R, PT	\$664
AS000-CVK-0030	Kick Plate (1 Section) — Front/Back (For Use With 6" Caster/Leg)	R, PT, DT	\$187	AS000-CTA-006I	Full Height Glass Door In Lieu Of Full Height Stainless Steel Door — Heated	R, PT	\$1,501
AS000-CVK-0031	Kick Plate (2 Section) — Front/Back (For Use With 6" Caster/Leg)	R, PT, DT	\$274	AS000-CTA-006K	One Half Height Glass Door In Lieu Of One Half Height Stainless Steel Door (Bottom Left Or Top Right Section) — Refrigerator	R, PT, DT	\$1,000
AS000-CVK-0032	Kick Plate (3 Section) — Front/Back (For Use With 6" Caster/Leg)	R	\$392	AS000-CTA-006L	Full Height Glass Door In Lieu Of Full Height Stainless Steel Door — Refrigerator	R, PT, DT	\$1,313
AS000-CVK-0033	Kick Plate (1 Section — Narrow) Front/Back (For Use With 6" Caster/Leg)	R	\$187	AS000-CZ9-0038	Interior Drawer, Refg/Frz		\$736
AS000-CVK-0034	Kick Plate (2 Section — Narrow) Front/Back (For Use With 6" Caster/Leg)	R	\$274	GASHELFCRD	Shelf Credit	R	-\$73
AS000-CVK-0035	Kick Plate — Side (For Use With 6" Caster/Leg)	R, PT, DT	\$145	GASHELFCRDH	Shelf Credit	H	-\$73
AS000-CVK-0036	Kick Plate (1 Section) — Front/Back (For Use With 5" Caster)	R, PT, DT	\$187	GASHELFCRDP	Shelf Credit	PT	-\$73
AS000-CVK-0037	Kick Plate (2 Section) — Front/Back (For Use With 5" Caster)	R, PT, DT	\$274	GASHELFCRDDT	Shelf Credit	DT	-\$146
				GASHELFCRDN	Shelf Credit	NARROW	-\$73
				GAREHINGE	Rehinge Option With Chrome Hinges (Glass, Solid, Half Or Full On All Heated, Refrigerated Or Freezer Reach—In, Pass—Thru Or Dual Temp Models)		\$389
				GASSHINGE	Stainless Steel Hinges Versus Standard Chrome Hinges		\$389
				OPTIONS:			
				R = REACH-INS		PT = PASS-THRUS	
				DT = DUAL MODELS		RI = ROLL-INS	
				RT = ROLL-THRUS			

Undercounter/Worktables
Reach-In Refrigerators And Freezers



COOLSCAPES® UNDERCOUNTER/WORKTABLES

GUR: COOLSCAPES® | R290 REFRIGERATED UNDERCOUNTER/WORKTABLES



GUR60P-S

- State-of-the-art R290 GreenGenius™ refrigeration system that is low on environmental impact and high in energy efficiency.
- Durable, rugged stainless steel top and front
- Smart door hinge that auto closes up to 90 degrees and stays open past 90 degrees.
- 180 degree door opening
- Environmentally friendly R290 refrigerant
- High density foamed in place environmentally friendly, Kyoto Protocol Compliant, Non ODP (Ozone Depletion Potential), Non GWP (Global Warming Potential) polyurethane keeps energy costs low
- Integral door/drawer handle

- 5" (two locking, two non-locking) casters shipped loose for field installation
- 8' cord and plug supplied
- Gray epoxy coated shelves with pins, one per section (Door models only)
- Electronic temperature control
- Energy efficient door gasket removable without tools
- Field rehingable doors (door models only)
- Caster options available for lower heights
- Three-year parts and labor warranty and an additional four year compressor parts warranty
- 10 year warranty on drawer track parts
- 100% front breathing-clearance not required on top/sides

MODEL	L	D	H	STORAGE CU. FT.	H.P.	AMP	VOLTS	ENERGY DATA KWH	NEMA PLUG	SHIP WEIGHT	FREIGHT CLASS	LIST PRICE
WITH STAINLESS STEEL DOORS												
GUR24P-S	24"	31.59"	36"	5.5	1/5	3.2	115	1.14	5-15P	140 lbs.	150	\$5,227
GUR27P-S	27"	31.59"	36"	6.5	1/5	3.2	115	1.12	5-15P	145 lbs.	150	\$5,753
GUR32P-S	32"	31.59"	36"	8	1/5	3.2	115	1.19	5-15P	161 lbs.	150	\$7,202
GUR48P-S	48"	31.59"	36"	12.5	1/5	3.2	115	1.63	5-15P	207 lbs.	150	\$7,740
GUR60P-S	60"	31.59"	36"	16.2	1/5	3.2	115	1.82	5-15P	234 lbs.	150	\$8,923
GUR72P-S	72"	31.59"	36"	20.6	1/5	3.2	115	1.96	5-15P	263 lbs.	150	\$10,745
WITH GLASS DOORS												
GUR24P-G	24"	31.59"	36"	5.5	1/5	3.2	115	1.14	5-15P	140 lbs.	150	\$6,034
GUR27P-G	27"	31.59"	36"	6.5	1/5	3.2	115	1.12	5-15P	145 lbs.	150	\$6,557
GUR32P-G	32"	31.59"	36"	8	1/5	3.2	115	1.19	5-15P	161 lbs.	150	\$8,006
GUR48P-G	48"	31.59"	36"	12.5	1/5	3.2	115	1.63	5-15P	207 lbs.	150	\$9,352
GUR60P-G	60"	31.59"	36"	16.2	1/5	3.2	115	1.82	5-15P	234 lbs.	150	\$10,535
GUR72P-G	72"	31.59"	36"	20.6	1/5	3.2	115	1.96	5-15P	263 lbs.	150	\$13,163
WITH DRAWERS												
GUR24P-D	24"	31.59"	36"	4.1	1/5	3.2	115	1.14	5-15P	162 lbs.	150	\$6,696
GUR27P-D	27"	31.59"	36"	4.8	1/5	3.2	115	1.12	5-15P	168 lbs.	150	\$7,219
GUR32P-D	32"	31.59"	36"	5.8	1/5	3.2	115	1.19	5-15P	185 lbs.	150	\$8,926
GUR48P-D	48"	31.59"	36"	9.2	1/5	3.2	115	1.63	5-15P	252 lbs.	150	\$10,678
GUR60P-D	60"	31.59"	36"	11.7	1/5	3.2	115	1.82	5-15P	284 lbs.	150	\$12,376
GUR72P-D	72"	31.59"	36"	14.2	1/5	3.2	115	1.96	5-15P	330 lbs.	150	\$15,149
WITH STAINLESS STEEL DOORS - 4" BACKSPLASH												
GUR24BP-S	24"	31.59"	36"	5.5	1/5	3.2	115	1.14	5-15P	140 lbs.	150	\$5,744
GUR27BP-S	27"	31.59"	36"	6.5	1/5	3.2	115	1.12	5-15P	145 lbs.	150	\$6,271
GUR32BP-S	32"	31.59"	36"	8	1/5	3.2	115	1.19	5-15P	161 lbs.	150	\$7,777
GUR48BP-S	48"	31.59"	36"	12.5	1/5	3.2	115	1.63	5-15P	207 lbs.	150	\$8,315
GUR60BP-S	60"	31.59"	36"	16.2	1/5	3.2	115	1.82	5-15P	234 lbs.	150	\$9,439
GUR72BP-S	72"	31.59"	36"	20.6	1/5	3.2	115	1.96	5-15P	263 lbs.	150	\$11,321
WITH GLASS DOORS - 4" BACKSPLASH												
GUR24BP-G	24"	31.59"	36"	5.5	1/5	3.2	115	1.14	5-15P	140 lbs.	150	\$6,551
GUR27BP-G	27"	31.59"	36"	6.5	1/5	3.2	115	1.12	5-15P	145 lbs.	150	\$7,075
GUR32BP-G	32"	31.59"	36"	8	1/5	3.2	115	1.19	5-15P	161 lbs.	150	\$8,698
GUR48BP-G	48"	31.59"	36"	12.5	1/5	3.2	115	1.63	5-15P	207 lbs.	150	\$9,928
GUR60BP-G	60"	31.59"	36"	16.2	1/5	3.2	115	1.82	5-15P	234 lbs.	150	\$11,053
GUR72BP-G	72"	31.59"	36"	20.6	1/5	3.2	115	1.96	5-15P	263 lbs.	150	\$13,739
WITH DRAWERS - 4" BACKSPLASH												
GUR24BP-D	24"	31.59"	36"	4.1	1/5	3.2	115	1.14	5-15P	162 lbs.	150	\$7,186
GUR27BP-D	27"	31.59"	36"	4.8	1/5	3.2	115	1.12	5-15P	168 lbs.	150	\$7,739
GUR32BP-D	32"	31.59"	36"	5.8	1/5	3.2	115	1.19	5-15P	185 lbs.	150	\$9,505
GUR48BP-D	48"	31.59"	36"	9.2	1/5	3.2	115	1.63	5-15P	252 lbs.	150	\$11,254
GUR60BP-D	60"	31.59"	36"	11.7	1/5	3.2	115	1.82	5-15P	284 lbs.	150	\$12,894
GUR72BP-D	72"	31.59"	36"	14.2	1/5	3.2	115	1.96	5-15P	330 lbs.	150	\$15,610

Coolscapes® Undercounter/Worktables accessories and modifications can be found on page 21.

GUF: COOLSCAPES® R290 FREEZER UNDERCOUNTER/WORKTABLES



GUF60BP-D

- State-of-the-art R290 GreenGenius™ refrigeration system that is low on environmental impact and high in energy efficiency.
- Durable, rugged stainless steel top and front
- Smart door hinge that auto closes up to 90 degrees and stays open past 90 degrees.
- 180 degree door opening
- Environmentally friendly R290 refrigerant
- High density foamed in place environmentally friendly, Kyoto Protocol Compliant, Non ODP (Ozone Depletion Potential), Non GWP (Global Warming Potential) polyurethane keeps energy costs low
- Integral door/drawer handle
- 5" (two locking, two non-locking) casters shipped loose for field installation
- 8' cord and plug supplied
- Gray epoxy coated shelves with pins (Door models only)
- Electronic temperature control
- Energy efficient door gasket removable without tools
- Replaceable door opening perimeter heater
- Field rehingable doors (door models only)
- Caster options available for lower heights
- Three-year parts and labor warranty and an additional four year compressor parts warranty
- 10 year warranty on drawer track parts
- 100% front breathing-clearance not required on top/sides

MODEL	L	D	H	STORAGE CU. FT.	H.P.	AMP	VOLTS	ENERGY DATA KWH	NEMA PLUG	SHIP WEIGHT	FREIGHT CLASS	LIST PRICE
-------	---	---	---	-----------------	------	-----	-------	-----------------	-----------	-------------	---------------	------------

WITH STAINLESS STEEL DOORS

GUF27P-S	27"	31.59"	36"	6.5	1/4	2.6	115	2.6	5-15P	151 lbs.	150	\$6,018
GUF32P-S	32"	31.59"	36"	8	1/4	2.6	115	2.17	5-15P	165 lbs.	150	\$8,040
GUF48P-S	48"	31.59"	36"	12.5	1/3	6.4	115	3.78	5-15P	224 lbs.	150	\$8,378
GUF60P-S	60"	31.59"	36"	16.2	1/3	6.4	115	4.02	5-15P	250 lbs.	150	\$10,838

WITH DRAWERS

GUF27P-D	27"	31.59"	36"	4.8	1/5	2.6	115	2.25	5-15P	175 lbs.	150	\$7,488
GUF32P-D	32"	31.59"	36"	5.8	1/5	2.6	115	2.44	5-15P	189 lbs.	150	\$9,511
GUF60P-D	60"	31.59"	36"	11.7	1/5	6.4	115	4.53	5-15P	300 lbs.	150	\$13,777

WITH STAINLESS STEEL DOORS - 4" BACKSPASH

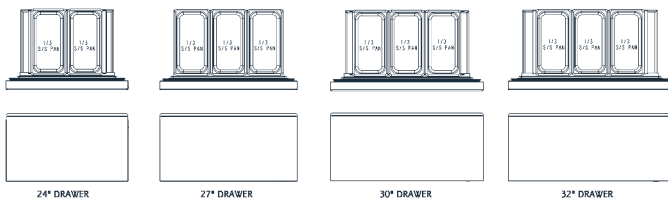
GUF27BP-S	27"	31.59"	36"	6.5	1/5	2.6	115	2.6	5-15P	151 lbs.	150	\$6,538
GUF32BP-S	32"	31.59"	36"	8	1/5	2.6	115	2.17	5-15P	165 lbs.	150	\$8,561
GUF48BP-S	48"	31.59"	36"	12.5	1/5	6.4	115	3.78	5-15P	224 lbs.	150	\$9,068
GUF60BP-S	60"	31.59"	36"	16.2	1/5	6.4	115	4.02	5-15P	250 lbs.	150	\$11,645

WITH DRAWERS - 4" BACKSPASH

GUF27BP-D	27"	31.59"	36"	4.8	1/5	2.6	115	2.25	5-15P	175 lbs.	150	\$8,006
GUF32BP-D	32"	31.59"	36"	5.8	1/5	2.6	115	2.44	5-15P	189 lbs.	150	\$10,027
GUF60BP-D	60"	31.59"	36"	11.7	1/5	6.4	115	4.53	5-15P	300 lbs.	150	\$14,582

Coolscales® Undercounter/Worktables accessories and modifications can be found on page 21.

DRAWER CONFIGURATIONS



GBRP — REACH-IN REFRIGERATORS



GBR1P-SH



GBR1P-GH

- GreenGenius™ R290 top mount refrigeration system featuring TXV expansion valve and hot gas condensate removal
- Digital exterior temperature display with high/low temp visual alarms
- Temperature range of 33° F to 40° F
- Energy saving LED interior light
- Removable side louver
- Raised ABS interior door liner
- Accommodates full size sheet pans
- Gray epoxy coated shelves (3 per section) with shelf bridge
- Smart door hinge that auto closes up to 90° and stays open past 90°
- Integral door handle
- 180° door opening
- Energy efficient door gasket – removable without tools
- Locking doors
- 5" locking casters shipped loose for field installation
- 10' cord and plug attached

STANDARD FEATURES OF SERIES GB

- Three-year parts and labor warranty and an additional four year compressor parts warranty
- Stainless steel exterior front
- Stainless steel exterior sides
- Gray coated aluminum interior
- Stainless steel interior floor
- Field rehingable doors
- Stainless steel pilaster with shelf clips
- Vapor lock relief valve

MODEL	DESCRIPTION	L	D	H	STORAGE CU. FT.	H.P.	AMP	VOLTS	NEMA PLUG	SHIP WEIGHT	LIST PRICE
SOLID DOOR GB REFRIGERATORS											
GBR1P-S	One section, Full height door	27.4"	32.5"	79.5"	21	0.22	4.2	115	5-15P	312 lbs.	\$9,564
GBR1P-SH	One section, Half height doors	27.4"	32.5"	79.5"	21	0.22	4.2	115	5-15P	312 lbs.	\$10,616
GBR2P-S	Two section, Full height door	55.2"	32.5"	79.5"	46	0.33	6	115	5-15P	495 lbs.	\$12,722
GBR2P-SH	Two section, Half height doors	55.2"	32.5"	79.5"	46	0.33	6	115	5-15P	495 lbs.	\$14,365
GBR3P-S	Three section, Full height door	83"	32.5"	79.5"	71	0.355	6.5	115	5-15P	727 lbs.	\$17,180
GBR3P-SH	Three section, Half height doors	83"	32.5"	79.5"	71	0.355	6.5	115	5-15P	727 lbs.	\$19,092
GLASS DOOR GB REFRIGERATORS											
GBR1P-G	One section, Full height door	27.4"	32.5"	79.5"	21	0.22	4.2	115	5-15P	236 lbs.	\$10,944
GBR1P-GH	One section, Half height doors	27.4"	32.5"	79.5"	21	0.22	4.2	115	5-15P	236 lbs.	\$11,537
GBR2P-G	Two section, Full height door	55.2"	32.5"	79.5"	46	0.33	6	115	5-15P	322 lbs.	\$15,050
GBR2P-GH	Two section, Half height doors	55.2"	32.5"	79.5"	46	0.33	6	115	5-15P	322 lbs.	\$16,112
GBR3P-G	Three section, Full height door	83"	32.5"	79.5"	71	0.35	6.5	115	5-15P	485 lbs.	\$20,641

Coolscapes® Reach-Ins accessories and modifications can be found on page 20.

COOLSCAPES® SERIES REACH-INS

GBFP — REACH-IN FREEZERS



GBF2P-SH

- GreenGenius™ R290 top mount refrigeration system featuring TXV expansion valve and hot gas condensate removal
- Replaceable door opening perimeter heater
- Digital exterior temperature display with high/low temp visual alarms
- Temperature range of -5 °F to 0 °F
- Energy saving LED interior light
- Removable side louver
- Raised ABS interior door liner
- Accommodates full size sheet pans
- Gray epoxy coated shelves (3 per section) with shelf bridge
- Smart door hinge that auto closes up to 90° and stays open past 90°
- Integral door handle
- 180° door opening
- Energy efficient door gasket – removable without tools
- Locking doors
- 5" locking casters shipped loose for field installation
- 10' cord and plug attached

STANDARD FEATURES OF SERIES GB

- Three-year parts and labor warranty and an additional four year compressor parts warranty
- Stainless steel exterior front
- Stainless steel exterior sides
- Gray coated aluminum interior
- Stainless steel interior floor
- Field rehingable doors
- Stainless steel pilaster with shelf clips
- Vapor lock relief valve

MODEL	DESCRIPTION	L	D	H	STORAGE CU. FT.	H.P.	AMP	VOLTS	NEMA PLUG	SHIP WEIGHT	LIST PRICE
SOLID DOOR GB FREEZERS											
GBF1P-S	One section, Full height door	27.4"	32.5"	79.5"	21	0.55	7.2	115	5-15P	329 lbs.	\$11,948
GBF1P-SH	One section, Half height doors	27.4"	32.5"	79.5"	21	0.55	7.2	115	5-15P	336 lbs.	\$12,622
GBF2P-S	Two section, Full height door	55.2"	32.5"	79.5"	46	0.68	10	115	5-15P	486 lbs.	\$16,764
GBF2P-SH	Two section, Half height doors	55.2"	32.5"	79.5"	46	0.68	10	115	5-15P	532 lbs.	\$17,772
GBF3P-S	Three section, Full height door	83"	32.5"	79.5"	71	.55 (2)	14.7	115	5-20P	763 lbs.	\$22,044
GBF3P-SH	Three section, Half height doors	83"	32.5"	79.5"	71	.55 (2)	14.7	115	5-20P	772 lbs.	\$23,912

Coolscapes® Reach-Ins accessories and modifications can be found on page 20.

COOLSCAPES® REACH-IN GB ACCESSORIES

PART #	DESCRIPTION	LIST PRICE
GB-GBSOPTION	GBS feature set (interior to be s/s)	\$1,175
G359-CT7-0035	Stainless steel finished back (1 section)	\$1,128
G359-CT7-0037	Stainless steel finished back (2 section)	\$2,269
G359-CT7-0036	Stainless steel finished back (3 section)	\$3,406
G3234452A	6" flanged feet (1 and 2 sections)	\$637
G3234452B	6" flanged feet (3 sections)	\$637
GC3978321	Epoxy coated wire shelf (with GC feature set only)	\$102
GB3978321	Epoxy coated wire shelf (with standard GB or GBS feature set)	\$102
G3108B	Half height solid stainless steel door pair in lieu of one - full height hinged solid door	\$569
G3234791A	6" black legs (1 and 2 sections)	\$156
G3234791B	6" black legs (3 sections)	\$156
G263-CTM-0030	TS1 - 18x26" pan flange support (per pair)	\$51
G263-CTM-0033	TS2 - 12x20" pan or 18x26" pan bottom support (per pair)	\$137
G263-CTM-0032	TS3 - 12x20" pan flange support (per pair)	\$72
G263-CUW-0030	TS4 - One pair rod type 18 levels 18x26" flange support	\$430
G3978044	Wire shelf bridge - 2 & 3 section units only	\$245
COVPEDAL	Foot Pedal	\$528

COOLSCAPES® UNDERCOUNTER/WORKTABLES ACCESSORIES

PART #	DESCRIPTION	LIST PRICE	PART #	DESCRIPTION	LIST PRICE
UC000-CYT-0052	2" ride height casters - 24", 27" or 32" unit (All non—locking)	\$370	UC000-D0M-0039	1/2" poly cutting board 12" wide — 48"	\$448
UC000-CYT-005T	2" ride height casters - 48", 60" or 72" unit (All non—locking)	\$367	UC000-D0M-003A	1/2" poly cutting board 12" wide — 60"	\$318
UC000-CYT-0051	3" ride height casters (Two locking/two non—locking)	\$268	UC000-D0M-003B	1/2" poly cutting board 12" wide — 72"	\$656
UC000-CZV-003E	Additional shelf — 24"	\$132	UC000-D0M-003C	1/2" poly cutting board full top 24" backsplash unit	\$457
UC000-CZV-003F	Additional shelf — 27"	\$137	UC000-D0M-003D	1/2" poly cutting board full top 27" backsplash unit	\$457
UC000-CZV-003G	Additional shelf — 32"	\$143	UC000-D0M-003E	1/2" poly cutting board full top 32" backsplash unit	\$547
UC000-CZV-003J	Additional shelf — 48" or 72" with step cutout	\$179	UC000-D0M-003F	1/2" poly cutting board full top 48" backsplash unit	\$762
UC000-CZV-003I	Additional shelf — 60"	\$172	UC000-D0M-003G	1/2" poly cutting board full top 60" backsplash unit	\$1,001
UC000-CZV-003H	Additional shelf — 60" with step cutout	\$186	UC000-D0M-003H	1/2" poly cutting board full top 72" backsplash unit	\$1,403
AS000-CZV-0024	Shelf kit for 24" unit (required when purchasing additional shelf)	\$182	UC000-D0M-003I	1/2" COMP cutting board full top — 24"	\$944
AS000-CZV-0027	Shelf kit for 27" unit (required when purchasing additional shelf)	\$182	UC000-D0M-003J	1/2" COMP cutting board full top — 27"	\$1,055
AS000-CZV-0032	Shelf kit for 32" unit (required when purchasing additional shelf)	\$182	UC000-D0M-003K	1/2" COMP cutting board full top — 32"	\$1,093
AS000-CZV-0048	Shelf kit for 48" unit (required when purchasing additional shelf)	\$366	UC000-D0M-003L	1/2" COMP cutting board full top — 48"	\$1,459
AS000-CZV-0060	Shelf kit for 60" unit (required when purchasing additional shelf)	\$366	UC000-D0M-003M	1/2" COMP cutting board full top — 60"	\$1,724
AS000-CZV-0072	Shelf kit for 72" unit (required when purchasing additional shelf)	\$548	UC000-D0M-003N	1/2" COMP cutting board full top — 72"	\$1,948
UC000-D06-0030	LED lighting (solid doors only, standard on glass door models)	\$1,230	UC000-D0M-003O	1/2" COMP cutting board 12" wide — 24"	\$508
UC3234734	Door Locks — not for use on drawer or door/drawer units ***PRICING IS PER SECTION	\$648	UC000-D0M-003P	1/2" COMP cutting board 12" wide — 27"	\$550
UC000-CYT-0053	6" painted legs	\$82	UC000-D0M-003Q	1/2" COMP cutting board 12" wide — 32"	\$566
UC000-CYT-0054	6" flange feet	\$262	UC000-D0M-003R	1/2" COMP cutting board 12" wide — 48"	\$550
UC359-CT7-0040	Stainless steel back — 24" unit	\$234	UC000-D0M-003S	1/2" COMP cutting board 12" wide — 60"	\$916
UC359-CT7-0041	Stainless steel back — 27" unit	\$270	UC000-D0M-003T	1/2" COMP cutting board 12" wide — 72"	\$1,004
UC359-CT7-0042	Stainless steel back — 32" unit	\$270	UC000-D0M-003U	1/2" COMP cutting board full top 24" backsplash unit	\$1,039
UC359-CT7-0043	Stainless steel back — 48" unit	\$340	UC000-D0M-003V	1/2" COMP cutting board full top 27" backsplash unit	\$1,055
UC359-CT7-0044	Stainless steel back — 60" unit	\$480	UC000-D0M-003W	1/2" COMP cutting board full top 32" backsplash unit	\$1,093
UC359-CT7-0045	Stainless steel back — 72" unit	\$480	UC000-D0M-003X	1/2" COMP cutting board full top 48" backsplash unit	\$1,386
UC359-CZ4-0031	Stainless steel exterior sides	\$719	UC000-D0M-003Y	1/2" COMP cutting board full top 60" backsplash unit	\$1,724
UC2196108	Exterior thermometer (available on all models)	\$1,608	UC000-D0M-003Z	1/2" COMP cutting board full top 72" backsplash unit	\$1,948
UC000-D0T-0030	Stacking collar — 24" unit	\$538	UC000-CTA-0034	Stainless steel door in place of drawer section — 24"	N/C
UC000-D0T-0031	Stacking collar — 27" unit	\$605	UC000-CTA-0038	Stainless steel door in place of drawer section — 30"	N/C
UC000-D0T-0032	Stacking collar — 32" unit	\$672	UC000-CZ9-0030	Drawer in place of door section — 24"	\$4,726
UC3239693	Condenser filter	\$66	UC000-CZ9-0032	Drawer in place of door section — 30"	\$5,502
UC271-CY1-005F	Heavy—duty top (18 gauge) — 24" unit	\$550	UC3455696	Glass door in place of stainless steel door — 24"	\$854
UC271-CY1-005G	Heavy—duty top (18 gauge) — 27" unit	\$618	UC3455698	Glass door in place of stainless steel door — 30"	\$1,043
UC271-CY1-005H	Heavy—duty top (18 gauge) — 32" unit	\$672	UC2194400	Master ON/OFF switch	\$1,326
UC271-CY1-005I	Heavy—duty top (18 gauge) — 48" unit	\$704		Laminate	CONTACT FACTORY
UC271-CY1-005J	Heavy—duty top (18 gauge) — 60" unit	\$815		Various cutting boards	CONTACT FACTORY
UC271-CY1-005K	Heavy—duty top (18 gauge) — 72" unit	\$908	UC000-D4N-0030	Tray rack — 32" units only	\$854
UC000-D0O-0030	Single overshef (18" deep x 20" high) — 24" unit	\$1,420	COVPEDAL	Foot Pedal	\$528
UC000-D0O-0031	Single overshef (18" deep x 20" high) — 27" unit	\$1,453			
UC000-D0O-0032	Single overshef (18" deep x 20" high) — 32" unit	\$1,464			
UC000-D0O-0033	Single overshef (18" deep x 20" high) — 48" unit	\$1,614			
UC000-D0O-0034	Single overshef (18" deep x 20" high) — 60" unit	\$1,758			
UC000-D0O-0035	Single overshef (18" deep x 20" high) — 72" unit	\$1,846			
UC000-D0O-0036	Double overshef (18" deep, first shelf 20" high, second shelf 34" high) — 24" unit	\$2,483			
UC000-D0O-0037	Double overshef (18" deep, first shelf 20" high, second shelf 34" high) — 27" unit	\$2,549			
UC000-D0O-0038	Double overshef (18" deep, first shelf 20" high, second shelf 34" high) — 32" unit	\$2,568			
UC000-D0O-0039	Double overshef (18" deep, first shelf 20" high, second shelf 34" high) — 48" unit	\$2,700			
UC000-D0O-003A	Double overshef (18" deep, first shelf 20" high, second shelf 34" high) — 60" unit	\$3,228			
UC000-D0O-003B	Double overshef (18" deep, first shelf 20" high, second shelf 34" high) — 72" unit	\$4,842			
UC000-D0M-0030	1/2" poly cutting board full top — 24"	\$457			
UC000-D0M-0031	1/2" poly cutting board full top — 27"	\$547			
UC000-D0M-0032	1/2" poly cutting board full top — 32"	\$547			
UC000-D0M-0033	1/2" poly cutting board full top — 48"	\$758			
UC000-D0M-0034	1/2" poly cutting board full top — 60"	\$1,004			
UC000-D0M-0035	1/2" poly cutting board full top — 72"	\$1,403			
UC000-D0M-0036	1/2" poly cutting board 12" wide — 24"	\$272			
UC000-D0M-0037	1/2" poly cutting board 12" wide — 27"	\$448			
UC000-D0M-0038	1/2" poly cutting board 12" wide — 32"	\$360			

Blast Chiller/Shock Freezers



CONVOCHILL® BLAST CHILLER/SHOCK FREEZER

BLAST CHILLER/SHOCK FREEZER



CV5E



CV10E



CV15E

- 4 different cycles for blast chilling and 4 for shock freezing
- Hot gas defrost
- Capacitive touch control
- Functions available: Blast chill, shock freeze, shock freeze continuous, thawing, ice cream cycle, programs storable
- HACCP report alarms
- Stainless steel construction
- Upload and download data with USB
- Three year parts and labor warranty and an additional two year compressor parts warranty

MODEL	DESCRIPTION	L	D	H	CHILL CAPACITY	FREEZE CAPACITY	CONDENSING UNIT	SHIP WEIGHT	LIST PRICE
CV5E	Blast Chiller/Shock Freezer	33.07"	28.35"	37"	27lbs	44lbs	Self contained	278	\$37,337
CV10E	Blast Chiller/Shock Freezer	33.07"	30.71"	58.98"	55lbs	77lbs	Self contained	419	\$47,580
CV15E	Blast Chiller/Shock Freezer	33.07"	34.64"	76.85"	110lbs	143lbs	Self contained	624	\$66,196
CV15E-2	Blast Chiller/Shock Freezer	33.07"	49.21"	76.85"	121lbs	154lbs	Self contained	670	\$71,987

ACCESSORIES

MODEL	DESCRIPTION	LIST PRICE
—	Sanitizing Ozone Cycle *6-8 WEEK LEAD TIME	\$2,003
AS000-AXD-0062	Caster kit for CV15E and CV15E-2	\$559
AS3465435	Adapter Mount for Oven	\$1,195
ASBCP00227	Additional Probe	\$430
AS000-AXD-0063	Caster Kit for CV5E and CV10E	\$559

UNDERCOUNTER REFRIGERATORS AND FREEZERS

400P SERIES

Undercounter Refrigerator /
Freezer Bases

UC4000P SERIES

Undercounter Refrigerator /
Freezer Bases



UNDERCOUNTER REFRIGERATORS AND FREEZERS

400P/UC4000P — R290 REFRIGERANT UNDERCOUNTER REFRIGERATORS



406-CAP



UC4048P
SHOWN WITH
OPTIONAL CASTERS

400P SERIES

- Features Delfield's exclusive ABS interior. ABS is extremely durable - it won't dent, chip or corrode and is backed by a limited lifetime warranty
- Stainless steel front and sides
- One epoxy coated wire shelves, standard per unit
- Environmentally friendly R290 refrigerant
- Foamed in place environmentally friendly, Kyoto Protocol Compliant, Non ODP (Ozone Depletion Potential), Non GWP (Global Warming Potential) polyurethane cuts energy costs
- Black recessed quick grip handle
- Rugged 6" high heavy duty metal legs (models 406 & 407 only). Units with a "CA" suffix are standard on 3" diameter (3.75" ride height) casters
- All units come standard hinged right and may be changed at the factory at no charge. Indicate when order is placed
- 6' cord and plug supplied
- Three year parts and labor warranty and an additional 2 year compressor parts warranty.

UC4000P SERIES

- Features Delfield's exclusive ABS interior. ABS is extremely durable - it won't dent, chip or corrode and is backed by a limited lifetime warranty
- Stainless steel front, sides and top
- Environmentally friendly R290 refrigerant Foamed in place environmentally friendly, Kyoto Protocol Compliant, Non ODP (Ozone Depletion Potential), Non GWP (Global Warming Potential) polyurethane cuts energy costs
- Two epoxy coated wire shelves standard installed per unit
- Black recessed quick grip handle
- Rugged 6" high heavy duty metal legs
- Door hinging available on either right or left, right side is standard
- 6' cord and plug supplied
- Three year parts and labor warranty and an additional 2 year compressor parts warranty.

MODEL	DESCRIPTION	L	D	H	STORAGE CU. FT.	H.P.	AMP	VOLTS	NEMA PLUG	SHIP WEIGHT	FREIGHT CLASS	LIST PRICE
-------	-------------	---	---	---	-----------------	------	-----	-------	-----------	-------------	---------------	------------

UNDERCOUNTER REFRIGERATOR BASES WITH STAINLESS STEEL TOP

406P	1 Door	27.25"	28.5"	35.5"	5.7	1/5	4	\$115	5-15P	176	110	\$4,890
------	--------	--------	-------	-------	-----	-----	---	-------	-------	-----	-----	----------------

UNDERCOUNTER FREEZER BASES WITH STAINLESS STEEL TOP

407P	1 Door	27.25"	28.5"	35.5"	5.7	1/5	4.5	115	5-15P	176	110	\$5,717
------	--------	--------	-------	-------	-----	-----	-----	-----	-------	-----	-----	----------------

UNDERCOUNTER REFRIGERATOR OR FREEZER WITH SUBTOP AND 3.75" CASTERS

406CAP	Refrigerator	27.25"	27.75"	33.25"	5.7	1/5	4	115	5-15P	168	110	\$4,662
407CAP	Freezer	27.25"	27.75"	33.25"	5.7	1/5	4.5	115	5-15P	168	110	\$5,470

48" UNDERCOUNTER REFRIGERATOR BASES WITH STAINLESS STEEL TOP

UC4048P	48"	28.5"	35.5"	10.8	1/5	4	115	5-15P	236	110	\$4,869	\$7,002
---------	-----	-------	-------	------	-----	---	-----	-------	-----	-----	---------	----------------

ACCESSORIES

MODEL	DESCRIPTION	LIST PRICE
BACKS		
420040	400 One section stainless steel back	\$724
420043	4000 Two section stainless steel back	\$1,052
CASTERS		
AS000-AXD-0041	Four 3" (3.75" ride height) NSF certified casters	\$379
AS000-AXD-0042	Four 5" (6.0" ride height) NSF certified casters	\$320
COLLAR		
AS000-BU8-0030	Model 409 stacking collar (adds 4" to overall combined height; for use with models 406P/407P)	\$366
DOOR LOCK (NOT AVAILABLE ON GLASS DOORS)		
0420104	Original order only; not field-installable; per door	\$353

MODEL	DESCRIPTION	LIST PRICE
SHELVES — MODELS 406P(-CAP), 407P(-CAP), UC4048P ONLY		
AS3978271	Additional shelf (406P, 406CAP, 407P, 407CAP)	\$108
AS3978272	Additional shelf (UC4048P)	\$109
COVPEDAL	Foot pedal	\$528
STAINLESS STEEL OVERSHELVES		
—	Single tier 27"	\$469
—	Single tier 48"	\$739
—	Double tier 27"	\$942
—	Double tier 48"	\$1,482

400P SERIES

Work Top Refrigerator/Freezer Bases

ST4000P SERIES

Work Top Refrigerator Bases

18600BUCMP/18600BSTMP

Refrigerated Work Tables With and
Without Backsplash



400P/ST4000P — R290 REFRIGERANT WORK TABLE



402P

- Features Delfield's exclusive Delrite ABS interior. ABS is extremely durable - it won't dent, chip or corrode and is backed by a limited lifetime warranty
- Stainless steel front, sides and top
- Environmentally friendly R290 natural refrigerant
- Foamed in place environmentally friendly, Kyoto Protocol Compliant, Non ODP (Ozone Depletion Potential), Non GWP (Global Warming Potential) polyurethane cuts energy costs
- Black recessed quick grip handle
- Rugged 6" high heavy duty metal legs
- Door hinging available on either right or left, right side is standard

- 60-cycle single phase electrical system
- 6' cord and plug supplied
- Three year parts and labor warranty and an additional 2 year compressor parts warranty.

400P SERIES ONLY

- One epoxy coated wire shelves, standard installed per unit

ST4000P SERIES ONLY

- 4" backsplash
- Two epoxy coated wire shelves standard per unit

MODEL	DESCRIPTION	L	D	H	STORAGE CU. FT.	H.P.	AMP	VOLTS	NEMA PLUG	SHIP WEIGHT	FREIGHT CLASS	LIST PRICE
WORK TOP REFRIGERATOR BASES WITH STAINLESS STEEL TOP & BACKSPLASH												
402P	1 door	27.25"	28.5"	39.5"	5.7	1/5	4	115	5-15P	176	110	\$4,968
WORK TOP FREEZER BASES WITH STAINLESS STEEL TOP & BACKSPLASH												
403P	1 door	27.25"	28.5"	39.5"	5.7	1/5	4.5	115	5-15P	184	110	\$6,000
48" WORK TOP REFRIGERATOR BASES WITH STAINLESS STEEL TOP & BACKSPLASH												
ST4048P	2 door	48"	28.5"	39.5"	10.8	1/5	4	115	5-15P	234	110	\$7,396

400P and 4000P accessories and modifications can be found on page 28.

18600BUCMP — REFRIGERATED WORK TABLES
18600BSTMP — REFRIGERATED WORK TABLES WITH BACKSPLASH



18648BUCMP

- Stainless steel exterior is standard. Optional laminate facing is available
- Compressor is located on right
- Finished stainless steel ends
- 18-gauge stainless steel top
- BSTMP models indicate a 4" high backsplash
- Environmentally friendly R290 refrigerant
- Standard on casters
- Three year parts and labor warranty and an additional 4 year compressor parts warranty.

MODEL	DESCRIPTION	L	D	H	STORAGE CU. FT.	H.P.	AMP	VOLTS	NEMA PLUG	SHIP WEIGHT	FREIGHT CLASS	LIST PRICE
SELF-CONTAINED REFRIGERATED WORK TABLES												
18648BUCMP	(1) 27"	48"	31.5"	36"	10.23	0.2	2.9	115	5-15P	390	110	\$10,840
18660BUCMP	19" & 27"	60"	31.5"	36"	15.12	0.2	2.9	115	5-15P	435	110	\$12,647
18672BUCMP	(2) 27"	72"	31.5"	36"	18.1	0.2	2.9	115	5-15P	495	110	\$14,533
18691BUCMP	(2) 27" & 19"	91"	31.5"	36"	24.48	0.25	4.8	115	5-15P	535	110	\$17,826
18699BUCMP	(3) 27"	99"	31.5"	36"	27.46	0.25	4.8	115	5-15P	594	110	\$18,697
186114BUCMP	(3) 32"	114"	31.5"	36"	37.24	0.33	6.3	115	5-15P	685	110	\$21,542
SELF-CONTAINED REFRIGERATED WORK TABLES WITH BACKSPLASH												
18648BSTMP	(1) 27"	48"	31.5"	40"	10.23	0.2	2.9	115	5-15P	390	110	\$11,269
18660BSTMP	19" & 27"	60"	31.5"	40"	15.12	0.2	2.9	115	5-15P	435	110	\$12,989
18672BSTMP	(2) 27"	72"	31.5"	40"	18.1	0.2	2.9	115	5-15P	495	110	\$15,107
18691BSTMP	(2) 27" & 19"	91"	31.5"	40"	24.48	0.25	4.8	115	5-15P	535	110	\$19,081
18699BSTMP	(3) 27"	99"	31.5"	40"	27.46	0.25	4.8	115	5-15P	594	110	\$20,047
186114BSTMP	(3) 32"	114"	31.5"	40"	37.24	0.33	6.3	115	5-15P	685	110	\$23,088

18600BUCMP AND 18600BSTMP accessories and modifications can be found on page 28.

REFRIGERATED AND FREEZER WORK TABLE ACCESSORIES

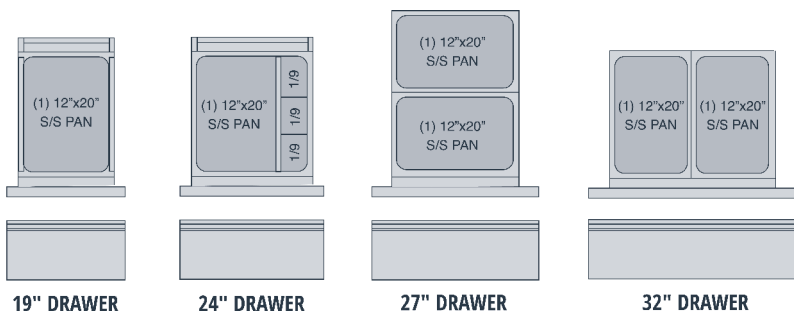
400P/4000P SERIES

MODEL	DESCRIPTION	LIST PRICE
CASTERS		
AS000-AXD-0041	Four 3" (3.75" ride height) NSF certified casters	\$379
AS000-AXD-0040	Four 2" NSF certified casters	\$239
DOOR LOCK (NOT AVAILABLE ON GLASS DOORS)		
0420104	Original order only; not field-installable; per door	\$424
SHELVES		
AS3978273	Additional shelf (48")	\$116
AS3978274	Additional shelf (27")	\$116
STAINLESS STEEL OVERSHELVES		
—	Single tier 27"	\$469
—	Single tier 48"	\$739
—	Double tier 27"	\$942
—	Double tier 48"	\$1,482
STAINLESS STEEL BACK		
A000-B4V-003R	48"	\$1,134
TR9B TRAY RACK BUCMP & BSTMP		
3977985	Base support style for 18" x 26" trays; 2" centers	\$478

BUCMP & BSTMP MODELS

DESCRIPTION	LIST PRICE
505B Stainless steel back (per linear inch)	\$25
Laminate facing for BUCMP & BSTMP units; per linear inch (Laminate facing for rear of BUCMP & BSTMP units requires stainless steel back)	\$16
COMPOSITE CUTTING BOARDS (20" WIDE X 1/2" THICK) (BUCMP & BSTMP)	
48"	\$989
60"	\$1,236
72"	\$1,483
91"	\$1,874
99"	\$2,040
114"	\$2,348
POLY CUTTING BOARDS (BUCMP & BSTMP)	
27" (20" wide x 1/2" thick)	\$490
48" (20" wide x 1/2" thick)	\$612
72" (20" wide x 1/2" thick)	\$929
91" (20" wide x 1/2" thick)	\$1,010
99" (20" wide x 1/2" thick)	\$1,163
114" (20" wide x 1/2" thick)	\$1,393
DRAWERS (PANS SUPPLIED BY OTHERS)	
101A Drawers 19", 2 high Holds one 12" x 20" x 6" deep pan per drawer	\$3,211
101I Drawers 19", 3 high Holds one 12" x 20" x 4" deep pan per drawer	\$4,040
101C Drawers 27", 2 high Holds one 12" x 20" x 6" deep pan per drawer	\$3,394
101K Drawers 27", 2 high Holds one 12" x 20" x 4" deep pan per drawer	\$4,313
101D Drawers 32", 2 high Holds one 12" x 20" x 6" deep pan per drawer	\$3,394
101L Drawers 32", 2 high Holds one 12" x 20" x 4" deep pan per drawer	\$4,313

DRAWER CONFIGURATIONS FOR BUCMP AND BSTMP SERIES



4400NP SERIES

Salad Top Compact Prep Tables

4400RP

Air Over Rail Prep Tables

18600PTLP

LiquiTec® Pizza Prep Tables

18600PDLP

Dual Rail Pizza Prep Tables

CTP-NBP

Counter Top Rail Tables



4400NP — SALAD TOP PREP TABLES



4427NP-6



4460NP-12

- Patented air screen ensures product stays cold without drying it out
- All 4400 Series units are 100% front breathing, which allows the unit to be pushed against a wall or built into a cabinet or an existing line up
- Durable, rugged stainless steel sides, top and front
- Features Delfield's exclusive Delrite ABS interior (on sides). ABS is extremely durable - it won't dent, chip or corrode and is backed by a limited lifetime warranty
- Delfield supplies 1/6 size pans and positive placement adapter bars for top opening
- Dual level pan brackets allow the pans to be lowered an additional inch in the unit without tools to provide additional pan temperature holding performance (not available for eight pan capacity models)
- Salad top refrigerators are standard with 10" wide, dishwasher safe polyethylene cutting board
- D" prefix models feature Delfield's new drawer system
- Drawers are backed by a 10-year warranty on the track assembly

- Environmentally friendly R290 refrigerant
- High density foamed in place environmentally friendly, Kyoto Protocol Compliant, Non ODP (Ozone Depletion Potential), Non GWP (Global Warming Potential) polyurethane keeps energy costs low
- Integral full length door/drawer handle
- Standard on 5" casters for easy cleaning and installation
- 10' cord and plug supplied
- One epoxy coated wire shelf standard, installed per door section
- "ST" prefix models have a 4" stainless steel backsplash
- Electromechanical control
- Three year parts and labor warranty and an additional 4 year compressor parts warranty.



10-YEAR WARRANTY ON DELFIELD'S FULL EXTENSION PLUS DRAWER SYSTEM TRACK!

MODEL	DESCRIPTION	L	D	H	VOL. CU. FT.	1/6 PAN CAP	H.P.	AMP	VOLTS	NEMA PLUG	SHIP WEIGHT	FREIGHT CLASS	LIST PRICE
27" SALAD TOP REFRIGERATOR BASES													
4427NP-6	One Door	27"	31.5"	36"	8.2	6	0.35	4	115	5-15P	223	110	\$6,017
D4427NP-6	Two Drawers	27"	31.5"	36"	8.2	6	0.35	4	115	5-15P	245	110	\$8,447
4427NP-8	One Door	27"	31.5"	36"	8.2	8	0.35	4	115	5-15P	223	110	\$7,769
D4427NP-8	Two Drawers	27"	31.5"	36"	8.2	8	0.35	4	115	5-15P	223	110	\$10,248
ST4427NP-6	One Door	27"	31.5"	36"	8.2	6	0.35	4	115	5-15P	223	110	\$7,763
STD4427NP-6	Two Drawers	27"	31.5"	36"	8.2	6	0.35	4	115	5-15P	245	110	\$10,243
ST4427NP-8	One Door	27"	31.5"	36"	8.2	8	0.35	4	115	5-15P	240	110	\$8,203
STD4427NP-8	Two Drawers	27"	31.5"	36"	8.2	8	0.35	4	115	5-15P	240	110	\$10,387
48" SALAD TOP REFRIGERATOR BASES													
4448NP-6	Two Doors	48"	31.5"	36"	16	6	0.35	4	115	5-15P	316	110	\$8,446
D4448NP-6	Four Drawers	48"	31.5"	36"	16	6	0.35	4	115	5-15P	398	110	\$14,459
4448NP-8	Two Doors	48"	31.5"	36"	16	8	0.35	4	115	5-15P	316	110	\$8,344
D4448NP-8	Four Drawers	48"	31.5"	36"	16	8	0.35	4	115	5-15P	398	110	\$12,760
4448NP-12	Two Doors	48"	31.5"	36"	16	12	0.35	4	115	5-15P	316	110	\$8,758
D4448NP-12	Four Drawers	48"	31.5"	36"	16	12	0.35	4	115	5-15P	398	110	\$13,463
ST4448NP-6	Two Doors	48"	31.5"	36"	16	6	0.35	4	115	5-15P	316	110	\$8,147
STD4448NP-6	Four Drawers	48"	31.5"	36"	16	6	0.35	4	115	5-15P	398	110	\$12,454
ST4448NP-8	Two Doors	48"	31.5"	36"	16	8	0.35	4	115	5-15P	316	110	\$8,581
STD4448NP-8	Four Drawers	48"	31.5"	36"	16	8	0.35	4	115	5-15P	398	110	\$12,773
60" SALAD TOP REFRIGERATOR BASES													
4460NP-8	Two Doors	60"	31.5"	36"	20.2	8	0.35	6	115	5-15P	411	110	\$10,451
D4460NP-8	Four Drawers	60"	31.5"	36"	20.2	8	0.35	6	115	5-15P	495	110	\$14,878
4460NP-12	Two Doors	60"	31.5"	36"	20.2	12	0.35	6	115	5-15P	411	110	\$10,933
D4460NP-12	Four Drawers	60"	31.5"	36"	20.2	12	0.35	6	115	5-15P	495	110	\$15,370
ST4460NP-8	Two Doors	60"	31.5"	36"	20.2	8	0.35	6	115	5-15P	411	110	\$10,912
STD4460NP-8	Four Drawers	60"	31.5"	36"	20.2	8	0.35	6	115	5-15P	495	110	\$14,900
ST4460NP-12	Two Doors	60"	31.5"	36"	20.2	12	0.35	6	115	5-15P	411	110	\$16,736
STD4460NP-12	Four Drawers	60"	31.5"	36"	20.2	12	0.35	6	115	5-15P	495	110	\$19,694
ST4448NP-8	Two Doors	48"	31.5"	36"	16	8	0.35	4	115	5-15P	316	110	\$8,581
STD4448NP-8	Four Drawers	48"	31.5"	36"	16	8	0.35	4	115	5-15P	398	110	\$12,773
64" SALAD TOP REFRIGERATOR BASES													
4464NP-8	Two Doors	64"	31.5"	36"	21.6	8	0.35	6	115	5-15P	421	110	\$10,628
D4464NP-8	Four Drawers	64"	31.5"	36"	21.6	8	0.35	6	115	5-15P	522	110	\$15,392
4464NP-12	Two Doors	64"	31.5"	36"	21.6	12	0.35	6	115	5-15P	421	110	\$11,549
D4464NP-12	Four Drawers	64"	31.5"	36"	21.6	12	0.35	6	115	5-15P	522	110	\$15,998
4464NP-16	Two Doors	64"	31.5"	36"	21.6	16	0.35	6	115	5-15P	421	110	\$12,176
D4464NP-16	Four Drawers	64"	31.5"	36"	21.6	16	0.35	6	115	5-15P	522	110	\$16,620
ST4464NP-8	Two Doors	64"	31.5"	36"	21.6	8	0.35	6	115	5-15P	421	110	\$10,996
STD4464NP-8	Four Drawers	64"	31.5"	36"	21.6	8	0.35	6	115	5-15P	522	110	\$15,322
ST4464NP-12	Two Doors	64"	31.5"	36"	21.6	12	0.35	6	115	5-15P	421	110	\$11,588
STD4464NP-12	Four Drawers	64"	31.5"	36"	21.6	12	0.35	6	115	5-15P	522	110	\$15,594
72" SALAD TOP REFRIGERATOR BASES													
4472NP-12	Three Doors	72"	31.5"	36"	24.8	12	0.35	6	115	5-15P	461	110	\$12,486
D4472NP-12	Six Drawers	72"	31.5"	36"	24.8	12	0.35	6	115	5-15P	545	110	\$18,257
4472NP-18	Three Doors	72"	31.5"	36"	24.8	18	0.35	6	115	5-15P	461	110	\$12,761
D4472NP-18	Six Drawers	72"	31.5"	36"	24.8	18	0.35	6	115	5-15P	545	110	\$18,544
ST4472NP-12	Three Doors	72"	31.5"	36"	24.8	12	0.35	6	115	5-15P	461	110	\$12,637
STD4472NP-12	Six Drawers	72"	31.5"	36"	24.8	12	0.35	6	115	5-15P	545	110	\$18,258
ST4472NP-18	Three Doors	72"	31.5"	36"	24.8	18	0.35	6	115	5-15P	461	110	\$15,332

4400NP Series accessories and modifications can be found on page 36.

PREP TABLES

4400NPM — MEGA TOP PREP TABLES



4432NP-12M



4460N-24M

- Patented air screen design ensures product stays cold without drying it out
- All 4400 Series units are 100% front breathing, which allows the unit to be pushed against a wall or built into a cabinet or an existing line up
- Durable, rugged stainless steel sides, top and front
- Features Delfield's exclusive Delrite ABS interior (on sides). ABS is extremely durable - it won't dent, chip or corrode and is backed by a limited lifetime warranty
- Delfield supplies 1/6 size pans and positive placement adapter bars for top opening
- Dual level pan brackets allow the pans to be lowered an additional inch in the unit without tools to provide additional pan temperature holding performance (not available for twelve pan capacity models)
- Mega top refrigerators are standard with 8" wide, dishwasher safe polyethylene cutting board
- "D" prefix models feature Delfield's exclusive new drawer system. Drawers are backed by a 10-year warranty on the track assembly (Great for fast replenishment!)

- Environmentally friendly R290 refrigerant
- High density foamed in place environmentally friendly, Kyoto Protocol Compliant, Non ODP (Ozone Depletion Potential), Non GWP (Global Warming Potential) polyurethane keeps energy costs low
- Integral full length door/drawer handle
- Standard on 5" casters for easy cleaning and installation
- 10' cord and plug supplied
- One epoxy coated wire shelf standard, installed per door section
- "ST" prefix models have a 4" stainless steel backsplash
- Electromechanical control
- Three year parts and labor warranty and an additional 4 year compressor parts warranty.



10-YEAR WARRANTY ON DELFIELD'S FULL EXTENSION PLUS DRAWER SYSTEM TRACK!

MODEL	DESCRIPTION	L	D	H	VOL. CU. FT.	1/6 PAN CAP	H.P.	AMP	VOLTS	NEMA PLUG	SHIP WEIGHT	FREIGHT CLASS	LIST PRICE
27" MEGA TOP FRONT BREATHERS													
4427NP-9M	One Door	27"	31.5"	36"	8.2	9	0.35	4	115	5-15P	223	110	\$7,220
D4427NP-9M	Two Drawers	27"	31.5"	36"	8.2	9	0.35	4	115	5-15P	245	110	\$9,473
4427NP-12M	One Door	27"	31.5"	36"	8.2	12	0.35	4	115	5-15P	223	110	\$7,584
D4427NP-12M	Two Drawers	27"	31.5"	36"	8.2	12	0.35	4	115	5-15P	245	110	\$9,661
32" MEGA TOP FRONT BREATHERS													
4432NP-12M	One Door	32"	31.5"	36"	10.1	12	0.35	4	115	5-15P	245	110	\$8,833
D4432NP-12M	Two Drawers	32"	31.5"	36"	10.1	12	0.35	4	115	5-15P	293	110	\$11,046
48" MEGA TOP FRONT BREATHERS													
4448NP-6M	Two Doors	48"	31.5"	36"	16	6	0.35	4	115	5-15P	316	110	\$11,579
D4448NP-6M	Four Drawers	48"	31.5"	36"	16	6	0.35	4	115	5-15P	398	110	\$16,072
4448NP-12M	Two Doors	48"	31.5"	36"	16	12	0.35	4	115	5-15P	316	110	\$12,084
D4448NP-12M	Four Drawers	48"	31.5"	36"	16	12	0.35	4	115	5-15P	398	110	\$15,079
4448NP-18M	Two Doors	48"	31.5"	36"	16	18	0.35	4	115	5-15P	316	110	\$12,217
D4448NP-18M	Four Drawers	48"	31.5"	36"	16	18	0.35	4	115	5-15P	398	110	\$15,239
ST4448NP-6M	Two Doors	48"	31.5"	36"	16	6	0.35	4	115	5-15P	316	110	\$11,986
STD4448NP-6M	Four Drawers	48"	31.5"	36"	16	6	0.35	4	115	5-15P	398	110	\$13,105
ST4448NP-12M	Two Doors	48"	31.5"	36"	16	12	0.35	4	115	5-15P	316	110	\$12,769
STD4448NP-12M	Four Drawers	48"	31.5"	36"	16	12	0.35	4	115	5-15P	398	110	\$15,610
60" MEGA TOP FRONT BREATHERS													
4460NP-12M	Two Doors	60"	31.5"	36"	20.2	12	0.35	6	115	5-15P	411	110	\$13,310
D4460NP-12M	Four Drawers	60"	31.5"	36"	20.2	12	0.35	6	115	5-15P	495	110	\$15,560
4460NP-18M	Two Doors	60"	31.5"	36"	20.2	18	0.35	6	115	5-15P	411	110	\$13,967
D4460NP-18M	Four Drawers	60"	31.5"	36"	20.2	18	0.35	6	115	5-15P	495	110	\$16,328
4460NP-24M	Two Doors	60"	31.5"	36"	20.2	24	0.35	6	115	5-15P	411	110	\$14,507
D4460NP-24M	Four Drawers	60"	31.5"	36"	20.2	24	0.35	6	115	5-15P	495	110	\$16,368
ST4460NP-12M	Two Doors	60"	31.5"	36"	20.2	12	0.35	6	115	5-15P	411	110	\$13,696
STD4460NP-12M	Four Drawers	60"	31.5"	36"	20.2	12	0.35	6	115	5-15P	495	110	\$16,206
ST4460NP-18M	Two Doors	60"	31.5"	36"	20.2	18	0.35	6	115	5-15P	411	110	\$14,404
STD4460NP-18M	Four Drawers	60"	31.5"	36"	20.2	18	0.35	6	115	5-15P	495	110	\$16,790
64" MEGA TOP FRONT BREATHERS													
4464NP-12M	Two Doors	64"	31.5"	36"	21.6	12	0.35	6	115	5-15P	421	110	\$13,717
D4464NP-12M	Four Drawers	64"	31.5"	36"	21.6	12	0.35	6	115	5-15P	522	110	\$16,889
4464NP-18M	Two Doors	64"	31.5"	36"	21.6	18	0.35	6	115	5-15P	421	110	\$14,351
D4464NP-18M	Four Drawers	64"	31.5"	36"	21.6	18	0.35	6	115	5-15P	522	110	\$17,190
4464NP-24M	Two Doors	64"	31.5"	36"	21.6	24	0.35	6	115	5-15P	421	110	\$14,854
D4464NP-24M	Four Drawers	64"	31.5"	36"	21.6	24	0.35	6	115	5-15P	522	110	\$16,957
ST4464NP-12M	Two Doors	64"	31.5"	36"	21.6	12	0.35	6	115	5-15P	421	110	\$13,976
STD4464NP-12M	Four Drawers	64"	31.5"	36"	21.6	12	0.35	6	115	5-15P	522	110	\$16,769
ST4464NP-18M	Two Doors	64"	31.5"	36"	21.6	18	0.35	6	115	5-15P	421	110	\$14,609
STD4464NP-18M	Four Drawers	64"	31.5"	36"	21.6	18	0.35	6	115	5-15P	522	110	\$17,060
72" MEGA TOP FRONT BREATHERS													
4472NP-18M	Three Doors	72"	31.5"	36"	24.8	18	0.35	6	115	5-15P	461	110	\$14,947
D4472NP-18M	Six Drawers	72"	31.5"	36"	24.8	18	0.35	6	115	5-15P	545	110	\$19,129
4472NP-24M	Three Doors	72"	31.5"	36"	24.8	24	0.35	6	115	5-15P	461	110	\$15,301
D4472NP-24M	Six Drawers	72"	31.5"	36"	24.8	24	0.35	6	115	5-15P	545	110	\$19,409
4472NP-30M	Three Doors	72"	31.5"	36"	24.8	30	0.35	6	115	5-15P	461	110	\$15,532
D4472NP-30M	Six Drawers	72"	31.5"	36"	24.8	30	0.35	6	115	5-15P	545	110	\$19,254
ST4472NP-18M	Three Doors	72"	31.5"	36"	24.8	18	0.35	6	115	5-15P	461	110	\$15,332
STD4472NP-18M	Six Drawers	72"	31.5"	36"	24.8	18	0.35	6	115	5-15P	545	110	\$19,100
ST4472NP-24M	Three Doors	72"	31.5"	36"	24.8	24	0.35	6	115	5-15P	461	110	\$15,469
STD4472NP-24M	Six Drawers	72"	31.5"	36"	24.8	24	0.35	6	115	5-15P	545	110	\$19,373

4400NP Series accessories and modifications can be found on page 36.

4400RP - AIR OVER RAILS



4448RP

- Patented low velocity air screen ensures product stays cold without drying it out
- All 4400 Series units are 100% front breathing, which allows the unit to be pushed against a wall or built into a cabinet or an existing line up
- Durable, rugged stainless steel sides, top and front
- Features Delfield's exclusive ABS interior (on sides). ABS is extremely durable - it won't dent, chip or corrode and is backed by a limited lifetime warranty
- Rail accommodates 1/3 size or fractional pans with adapter bars
- Standard with 1/3 6" deep plastic pans in the rail
- Dual level pan brackets allow the pans to be lowered an additional inch in the unit without tools to provide additional pan temperature holding performance
- Standard with 17" wide, dishwasher safe polyethylene cutting board mounted on heavy-duty cutting board brackets
- Environmentally friendly R290 refrigerant
- High density foamed in place environmentally friendly, Kyoto Protocol Compliant, Non ODP (Ozone Depletion Potential), Non GWP (Global Warming Potential) polyurethane keeps energy costs low
- Integral s/s full length door/drawer handles
- Standard on 5" casters for easy cleaning and installation
- 10' cord and plug supplied
- One epoxy coated wire shelf standard, installed per door section
- Electronic temperature control with adaptive defrost
- Three year parts and labor warranty and an additional four year compressor parts warranty

MODEL	DESCRIPTION	L	D	H	VOL. CU. FT.	PAN CAPACITY	H.P.	AMPS	VOLTS	NEMA PLUG	SHIP WEIGHT	FREIGHT CLASS	LIST PRICE
4448RP	Two section with doors	48	31.5	42	17.96	6	0.3	4	115/60/1	5-15P	316	110	\$12,925
4472RP	Two section with doors	72	31.5	42	27.8	9	0.35	6.9	115/60/1	5-15P	461	110	\$16,452
4496RP	Three section with doors	96	31.5	42	37.65	12	0.35	5.1	115/60/1	5-15P	TBD	110	\$21,019
D4448RP	Two section with drawers	48	31.5	42	17.96	6	0.3	4	115/60/1	5-15P	316	110	\$17,404
D4472RP	Two section with drawers	72	31.5	42	27.8	9	0.35	6.9	115/60/1	5-15P	461	110	\$20,930
D4496RP	Three section with drawers	96	31.5	42	37.65	12	0.35	5.1	115/60/1	5-15P	TBD	110	\$25,498

THIS PAGE LEFT BLANK

PREP TABLES

18600PTBMP — STANDARD PIZZA AND PREP STATIONS | 18600PTLP — LIQUITEC® COOLED PREP TABLES 18600PDL P — DUAL RAIL PREP TABLES | CTP-NBP — COUNTERTOP PREP RAILS



18660PTBMP

- PTBMP, PDL P & PTL P SERIES ONLY**
- Top and sides are constructed of stainless steel
 - Back of unit is galvanized
 - Pans and adapter bars by others
 - High density environmentally friendly, Kyoto Protocol Compliant, Non ODP (Ozone Depletion Potential), Non GWP (Global Warming Potential) polyurethane foam throughout unit
 - Stainless steel removable hinged covers
 - Unit on/off switch is located behind the louver
 - Front louvered panel has 1.50" hole for rail on/off switch access
 - Electronic temperature controls
 - Protective rubber bumpers are affixed to the back of the unit
 - 8' long electrical cord

- Pans are flush mounted
- Standard Polyethylene cutting board
- Environmentally friendly R290 refrigerant
- Three year parts and labor warranty and an additional 4 year compressor parts warranty.



CTP8146NBP

- PTBMP SERIES ONLY**
- Mechanically cooled
 - Pans are recessed 2"
 - NSF7 certified
 - Die-stamped openings to accommodate 12" x 20" hotel pans or fractional pans
 - Environmentally friendly R-290 refrigerant (PTBM)
 - Three year parts and labor warranty and an additional 4 year compressor parts warranty.

- CTP-NBP SERIES ONLY**
- R290 refrigerant is used
 - 18-gauge exterior
 - Mechanically cooled
 - Pans are recessed 3"
 - NSF7 certified
 - One year parts and labor standard warranty. Additional warranties available



18672PDL Ps

- PTLP SERIES ONLY**
- LiquiTec® cooled flush mount rail with NSF7 certified performance

- PDL P ONLY**
- 4.12" casters
 - 34" standard work height
 - Stainless steel finished ends
 - LiquiTec® cooled flush mount rail with NSF7 certified performance
 - Pans are flush mounted
 - 17" wide polyethylene cutting board
 - Five year compressor warranty
 - Environmentally friendly R290 refrigerant
 - Three year parts and labor warranty and an additional 2 year compressor parts warranty.

MODEL	1/6 PAN CAP	L	D	H	STORAGE CU. FT.	# OF DOORS	H.P.	AMP	VOLTS	NEMA PLUG	SHIP WEIGHT	FREIGHT CLASS	LIST PRICE
-------	-------------	---	---	---	-----------------	------------	------	-----	-------	-----------	-------------	---------------	------------

SELF-CONTAINED MECHANICALLY COOLED REFRIGERATED PIZZA & SANDWICH TABLES

18648PTBMP	12	48"	31.5"	42"	8.39	1	0.25	4.7	115	5-15P	520	110	\$15,784
18660PTBMP	14	60"	31.5"	42"	14.37	2	0.25	4.7	115	5-15P	580	110	\$16,704
18672PTBMP	18	72"	31.5"	42"	16.77	2	(2) 0.20	6.5	115	5-20P	635	110	\$18,054
18691PTBMP	22	91"	31.5"	42"	22.82	3	(2) 0.20	6.5	115	5-20P	770	110	\$21,720
18699PTBMP	24	99"	31.5"	42"	25.87	3	(2) 0.20	6.5	115	5-20P	805	110	\$22,537
186114PTBMP	28	114"	31.5"	42"	30.9	3	(2) 0.20	6.5	115	5-20P	927	110	\$27,168

SELF-CONTAINED LIQUITEC COOLED PREP TABLES

18648PTLP	12	48"	31.5"	42"	9.36	1	1/3	4.7	115	5-15P	520	110	\$25,825
18672PTLP	18	72"	31.5"	42"	16.52	2	1/3,1/5	8.6	115	5-20P	635	110	\$31,099
18699PTLP	24	99"	31.5"	42"	25.07	3	1/3,1/5	8.6	115	5-20P	805	110	\$36,437

DUAL RAIL LIQUITEC PREP TABLES

18648PDL P	24	48" (122cm)	31.50" (80cm)	53.7" (136cm)	—	—	1/3, 1/5	10.1	—	5-20P	691	—	\$29,832
18672PDL P	36	72" (183cm)	31.50" (80cm)	53.7" (136cm)	—	—	1/3, 1/5	12.7	—	5-20P	875	—	\$33,730

MODEL	1/6 PAN CAP	L	D	H	ADAPTER BARS	H.P.	AMP	VOLTS	NEMA PLUG	SHIP WEIGHT	FREIGHT CLASS	LIST PRICE
-------	-------------	---	---	---	--------------	------	-----	-------	-----------	-------------	---------------	------------

SELF-CONTAINED COUNTERTOP REFRIGERATED PREP RAILS

CTP8146-NBP	8	46"	17.03"	12.55"	5	1/5	2.8	115	5-15P	121	110	\$9,426
CTP8160-NBP	12	60"	17.03"	12.55"	7	1/5	2.8	115	5-15P	158	110	\$10,106

18600PTBMP, 18600PTLP, 18600PDL P AND CTP/NBP Series accessories and modifications can be found on page 37.

PREP TABLES

F18 — HIGH PERFORMANCE PREP TABLE | HIGH PERFORMANCE PREP TABLE WITH NATURAL CONVECTION



F18MC32-FSP
*SHOWN WITH OPTIONAL
CUTTING BOARD AND
ADAPTER BARS



F18MC27-BSNP
*SHOWN WITH OPTIONAL
ADAPTER BARS

HIGH PERFORMANCE PREP TABLE WITH LIQUITEC®

- LiquiTec® cold pans with eutectic fluid technology and mechanically cooled cold pans
- Heavy-duty casters
- Electronic temperature control with base temp display
- Custom covers
- Insulated heat shield
- Holds 6" deep pans
- Covers: BLSP & SCSP - slide back
- All Others - insulated heat shield

HIGH PERFORMANCE PREP TABLE WITH LIQUITEC®

WITH NATURAL CONVECTION

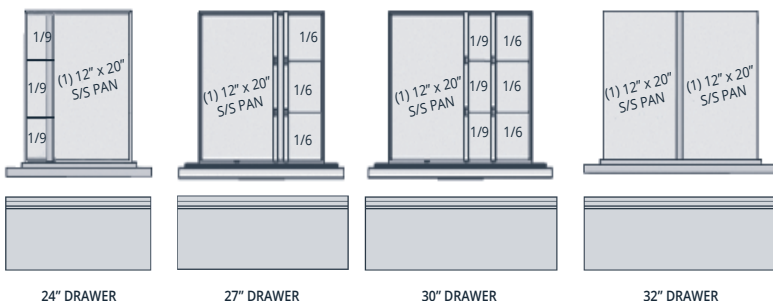
- LiquiTec® cold pans with eutectic fluid technology
- Natural convection air to ensure proper cooling temperatures in the harshest kitchen environments
- Heavy-duty casters
- Electronic temperature control with base temp display
- Custom covers
- Insulated heat shield
- Holds 6" deep pans
- Covers: BLSNP - slide back
- BSNP & FSNP - insulated heat shield

MODEL	PAN CAP. (1/6)	VOLUME	SHELF AREA	# OF SHELVES	BTU LOAD @ 86F BASE/RAIL	BTU SYS. CAP @ 86F BASE/RAIL	H.P.	V/HZ/PH	AMPS	NEMA PLUG	LIST PRICE
HIGH PERFORMANCE REFRIGERATOR											
F18MC27-BSP	12	6.3	4.36	2	244/540	1494/1329	0.25	115/60/1	4.7	5-15P	\$18,337
F18SC27-DCP	6	6.3	4.36	2	244/270	1494/834	0.25	115/60/1	4.7	5-15P	\$17,143
F18MC32-BLSP	2 (1/2 size)	7.7	5.32	2	263/360	1494/1025	0.25	115/60/1	4.7	5-15P	\$18,637
F18MC32-BSMP	12	7.7	5.32	2	263/304	1494/1019	0.25	115/60/1	4.7	5-15P	\$17,347
F18MC32-FSP	16	7.7	5.32	2	263/720	1494/1483	0.25	115/60/1	4.7	5-15P	\$19,447
F18RC32-FSP	8	7.7	5.32	2	263/360	1494/1025	0.25	115/60/1	4.7	5-15P	\$16,187
F18SC32-FSP	8	7.7	5.32	2	263/360	1494/1025	0.25	115/60/1	4.7	5-15P	\$18,136
F18MC33-SCSP	4	7.7	5.32	2	263/180	1494/607	0.25	115/60/1	4.7	5-15P	\$16,552
HIGH PERFORMANCE W/ NATURAL CONVECTION											
F18MC27-BSNP	12	6.3	4.36	2	244/540	1494/1483	0.25	115/60/1	4.7	5-15P	\$20,380
F18MC33-FSNP	16	7.7	5.32	2	263/720	1494/1483	0.25	115/60/1	4.7	5-15P	\$21,299

PREP TABLE ACCESSORIES/OPTIONS

ACCESSORY	DESCRIPTION	LIST PRICE	ACCESSORY	DESCRIPTION	LIST PRICE
44LIDHF	Hinged flat lid 27" (salad)	N/C	4427COMPMP	Composite cutting board (mega) - 27"	\$269
	Hinged flat lid 32" (salad)	N/C	4432COMPMP	Composite cutting board (mega) - 32"	\$317
	Hinged flat lid 48" (salad)	N/C	4448COMPMP	Composite cutting board (mega) - 48"	\$488
	Hinged flat lid 60" (salad)	N/C	4460COMPMP	Composite cutting board (mega) - 60"	\$604
	Hinged flat lid 64" (salad)	N/C	4464COMPMP	Composite cutting board (mega) - 64"	\$628
	Hinged flat lid 72" (salad)	N/C	4472COMPMP	Composite cutting board (mega) - 72"	\$737
4427PANHS	Hinged flat slide back lid 27" (mega)	\$481	4427COMPS	Composite cutting board (salad) - 27"	\$269
4432PANHS	Hinged flat slide back lid 32" (mega)	\$542	4448COMPS	Composite cutting board (salad) - 48"	\$488
4448PANHS	Hinged flat slide back lid 48" (mega)	\$638	4460COMPS	Composite cutting board (salad) - 60"	\$604
4460PANHS	Hinged flat slide back lid 60" (mega)	\$845	4464COMPS	Composite cutting board (salad) - 64"	\$628
4464PANHS	Hinged flat slide back lid 64" (mega)	\$940	4472COMPS	Composite cutting board (salad) - 72"	\$737
4472PANHS	Hinged flat slide back lid 72" (mega)	\$1,105	AS3978274	Extra shelf per section (27")	\$116
44LIDFLOS	Flat lift off lid 27" (salad)	N/C	AS3978276	Extra shelf per section (32" and 64")	\$112
	Flat lift off lid 32" (salad)	N/C	AS3978273	Extra shelf per section (48" and 72")	\$116
	Flat lift off lid 48" (salad)	N/C	AS3978275	Extra shelf per section (60")	\$116
	Flat lift off lid 60" (salad)	N/C	4427TRAY	Tray slides - fold down Shelley design (27")	\$522
	Flat lift off lid 64" (salad)	N/C	4432TRAY	Tray slides - fold down Shelley design (32")	\$619
	Flat lift off lid 72" (salad)	N/C	4448TRAY	Tray slides - fold down Shelley design (48")	\$965
44LIDFLOM	Flat lift off lid 27" (mega)	N/C	4460TRAY	Tray slides - fold down Shelley design (60")	\$1,232
	Flat lift off lid 32" (mega)	N/C	4464TRAY	Tray slides - fold down Shelley design (64")	\$1,291
	Flat lift off lid 48" (mega)	N/C	4472TRAY	Tray slides - fold down Shelley design (72")	\$1,465
	Flat lift off lid 60" (mega)	N/C	AS000-D48-0038	Condenser filter	\$324
	Flat lift off lid 64" (mega)	N/C	COVPEDAL	Foot pedal	\$528
	Flat lift off lid 72" (mega)	N/C	4400LIGHT	LED interior light	\$1,076
4427LIDFLOI	Flat lift off insulated lid 27" (salad)	\$114	OVERSHELVES	DESCRIPTION	LIST PRICE
4432LIDFLOI	Flat lift off insulated lid 32" (salad)	\$158		Overshelf, Single Tier, 27L X 16W X 20H	\$1,921
4448LIDFLOI	Flat lift off insulated lid 48" (salad)	\$354		Overshelf, Single Tier, 32L X 16W X 20H	\$1,974
4460LIDFLOI	Flat lift off insulated lid 60" (salad)	\$448		Overshelf, Single Tier, 48L X 16W X 20H	\$2,071
4464LIDFLOI	Flat lift off insulated lid 64" (salad)	\$511		Overshelf, Single Tier, 60L X 16W X 20H	\$2,167
4472LIDFLOI	Flat lift off insulated lid 72" (salad)	\$616		Overshelf, Single Tier, 64L X 16W X 20H	\$2,183
4427LIDFLOIM	Flat lift off insulated lid 27" (mega)	\$78		Overshelf, Single Tier, 72L X 16W X 20H	\$2,388
4432LIDFLOIM	Flat lift off insulated lid 32" (mega)	\$109	AS000DAQS-0036	Overshelf, Double Tier, 27L X 16W X 20H-14H	\$2,794
4448LIDFLOIM	Flat lift off insulated lid 48" (mega)	\$244	AS000DAQS-0037	Overshelf, Double Tier, 32L X 16W X 20H-14H	\$2,882
4460LIDFLOIM	Flat lift off insulated lid 60" (mega)	\$308	AS000DAQS-0038	Overshelf, Double Tier, 48L X 16W X 20H-14H	\$3,046
4464LIDFLOIM	Flat lift off insulated lid 64" (mega)	\$352	AS000DAQS-0039	Overshelf, Double Tier, 60L X 16W X 20H-14H	\$3,206
4472LIDFLOIM	Flat lift off insulated lid 72" (mega)	\$424	AS000DAQS-003A	Overshelf, Double Tier, 64L X 16W X 20H-14H	\$3,230
44CLEARLID	Clear plexi lid (per opening)	\$928	AS000DAQS-003B	Overshelf, Double Tier, 72L X 16W X 20H-14H	\$3,571
44DRAWER	24" drawers in place of a door	\$1,631	AS000-AQS-003J	Overshelf, Single Tier, 27L X 16W X 17H	\$1,579
	30" drawers in place of a door	\$1,631	AS000-AQS-0042	Overshelf, Single Tier, 27L X 18W X 15H	\$1,582
	32" drawers in place of a door	\$1,631	AS000-AQS-003K	Overshelf, Single Tier, 32L X 16W X 17H	\$1,624
44PANLOC	Optional pan location/pan openings	\$524	AS000-AQS-003L	Overshelf, Single Tier, 48L X 16W X 17H	\$1,704
44LOCK	Per section	\$291	AS000-AQS-003M	Overshelf, Single Tier, 60L X 16W X 17H	\$1,784
AS000-AXD-003F	4" load height casters for 27" and 32"	\$324	AS000-AQS-003N	Overshelf, Single Tier, 64L X 16W X 17H	\$1,799
AS000-AXD-003G	4" load height casters for 48" thru 72"	\$427	AS000-AQS-003P	Overshelf, Single Tier, 72L X 16W X 17H	\$1,968
AS000-B4V-003C	SS back panel - 24ga 430 rolled finish - 27"	\$388	AS000DAQS-003Q	Overshelf, Double Tier, 27L X 16W X 17H-10H	\$2,746
AS000-B4V-003D	SS back panel - 24ga 430 rolled finish - 32"	\$469	AS000DAQS-003R	Overshelf, Double Tier, 32L X 16W X 17H-10H	\$2,834
AS000-B4V-003E	SS back panel - 24ga 430 rolled finish - 48"	\$742	AS000DAQS-003S	Overshelf, Double Tier, 48L X 16W X 17H-10H	\$2,995
AS000-B4V-003J	SS back panel - 24ga 430 rolled finish - 60"	\$882	AS000DAQS-003T	Overshelf, Double Tier, 60L X 16W X 17H-10H	\$3,157
AS000-B4V-003S	SS back panel - 24ga 430 rolled finish - 64"	\$938	AS000DAQS-003U	Overshelf, Double Tier, 64L X 16W X 17H-10H	\$3,182
AS000-B4V-004B	SS back panel - 24ga 430 rolled finish - 72"	\$1,104	AS000DAQS-003V	Overshelf, Double Tier, 72L X 16W X 17H-10H	\$3,524
4400EXTHERM	Exterior thermometer (dial in door on 27")	\$720	AS000-AQS-003W	Overshelf, Single Tier, 27L X 16W X 10H	\$1,530
	Exterior thermometer (digital on others)	\$720	AS000-AQS-003X	Overshelf, Single Tier, 32L X 16W X 10H	\$1,576
			AS000-AQS-003Y	Overshelf, Single Tier, 48L X 16W X 10H	\$1,656
			AS000-AQS-003Z	Overshelf, Single Tier, 60L X 16W X 10H	\$1,735
			AS000-AQS-0040	Overshelf, Single Tier, 64L X 16W X 10H	\$1,750
			AS000-AQS-0041	Overshelf, Single Tier, 72L X 16W X 10H	\$1,918

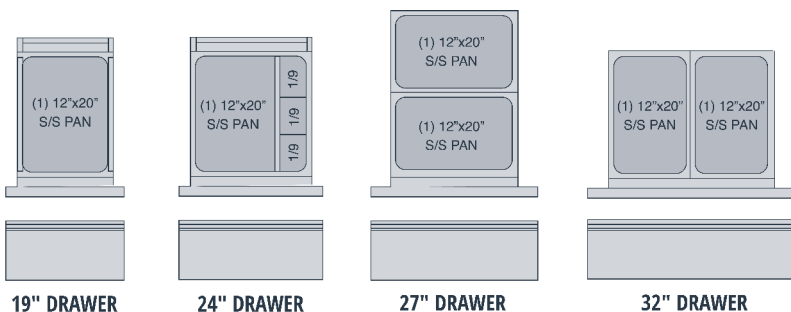
DRAWER CONFIGURATIONS FOR 4400NP SERIES ONLY.



PREP TABLE ACCESSORIES

ACCESSORY	DESCRIPTION	LIST PRICE	ACCESSORY	DESCRIPTION	LIST PRICE
PTBMP AND PTLP MODELS			CTP-NBP MODELS		
505B	Stainless steel back (per linear inch) (12" minimum)	\$25		Laminate facing for CTP models, per linear inch	\$10
ECPB48 (Rail only)	Partial stainless steel back - 18648PTBMP	\$270	PDLP MODELS		
ECPB60 (Rail only)	Partial stainless steel back for 18660PTBMP	\$278		Stainless steel back, per linear inch	\$19
ECPB72 (Rail only)	Partial stainless steel back for 18672PTBMP	\$289	3977985	Tray racks - TR-9B	\$487/DOOR
ECPB91 (Rail only)	Partial stainless steel back for 18691PTBMP	\$331		48" Composite cutting board in lieu of standard	\$796
ECPB99 (Rail only)	Partial stainless steel back for 18699PTBMP	\$332		72" Composite cutting board in lieu of standard	\$1,198
ECPB114 (Rail only)	Partial stainless steel back for 186114PTBMP	\$358	1027A	6" (15cm) casters, set of 4, w/brake	\$735
	Laminate facing for units; per linear inch (Laminate facing for rear of units requires stainless steel back)	\$16	1027B	6" (15cm) legs, set of 4	\$491
	Cheese grates with removable catch pans (per linear foot)	\$583		Cheese grates with removable catch pans (Note: cheese grate option is taller than the lower front rail. Removing the lower covers during operation or removing the grates may be necessary during operation)	\$511
	Door/Drawer locks	\$419		27" wide refrigerated drawers (2) high, holds 6" deep pans	\$2,542/SECTION
	48" Composite cutting board (20" wide x 1/2" thick)	\$989		Door/Drawer locks	\$349/LOCK
	60" Composite cutting board (20" wide x 1/2" thick)	\$1,236		Additional Shelves	\$197/EACH
	72" Composite cutting board (20" wide x 1/2" thick)	\$1,483	4400RP ACCESSORIES		
	91" Composite cutting board (20" wide x 1/2" thick)	\$1,874	44RPLIDFLO	Flat lift off lid	N/C
	99" Composite cutting board (20" wide x 1/2" thick)	\$2,040	4448RPINSLO	Insulated flat lift off lid on 48"	\$1,195
	114" Composite cutting board (20" wide x 1/2" thick)	\$2,348	4472RPINSLO	Insulated flat lift off lid on 48"	\$1,793
	48" Polyethylene cutting board (20" wide x 1/2" thick) Standard on PTLP & PDLP	\$490	4496RPINSLO	Insulated flat lift off lid on 48"	\$2,389
	60" Polyethylene cutting board (20" wide x 1/2" thick) Standard on PTLP & PDLP	\$612	4424RPDR	24" drawers in place of a door	\$3,517
	72" Polyethylene cutting board (20" wide x 1/2" thick) Standard on PTLP & PDLP	\$929	4432RPDR	32" drawers in place of a door	\$3,893
	91" Polyethylene cutting board (20" wide x 1/2" thick) Standard on PTLP & PDLP	\$1,010	4424RPLOCK	24" door lock (all or nothing) per section	\$540
	99" Polyethylene cutting board (20" wide x 1/2" thick) Standard on PTLP & PDLP	\$1,163	4432RPLOCK	32" door lock (all or nothing) per section	\$583
	114" Polyethylene cutting board (20" wide x 1/2" thick) Standard on PTLP & PDLP	\$1,393	4424RPLOCKD	24" drawer lock (all or nothing) per section	\$917
	48" — 18" wide single tier Overshelf	\$2,054	4432RPLOCKD	32" drawer lock (all or nothing) per section	\$973
	60" — 18" wide single tier Overshelf	\$2,237	AS000-AXD-003G	4" load height casters for 48" and 72" models	\$427
	72" — 18" wide single tier Overshelf	\$2,575	AS000-AXD-003J	4" load height casters for 96" models	\$533
	91" — 18" wide single tier Overshelf	\$1,835	AS000-B4V-0055	Stainless steel back 48"	\$580
	99" — 18" wide single tier Overshelf	\$1,997	AS000-B4V-0056	Stainless steel back 72"	\$692
	114" — 18" wide single tier Overshelf	\$2,296	AS000-B4V-0057	Stainless steel back 96"	\$804
101A	Drawers 19", 2 high, hold one 12" x 20" x 6" deep pan, per drawer (pans supplied by others)	\$3,211	44RPTHERM	Exterior digital thermometer	\$3,302
101!	Drawers 19", 3 high, hold one 12" x 20" x 4" deep pan, per drawer (pans supplied by others)	\$4,040	4448RPCOMP	Composite cutting board - 48"	\$863
101C	Drawers 27", 2 high, hold two 12" x 20" x 6" deep pans, per drawer (pans supplied by others)	\$3,394	4472RPCOMP	Composite cutting board - 48"	\$1,154
101K	Drawers 27", 3 high, hold two 12" x 20" x 4" deep pans, per drawer (pans supplied by others)	\$4,313	4496RPCOMP	Composite cutting board - 48"	\$1,638
101D	Drawers 32", 2 high, hold two 12" x 20" x 6" deep pans, per drawer (pans supplied by others)	\$3,394	AS3978276	Extra shelf per section (32")	\$112
101L	Drawers 32", 3 high, hold two 12" x 20" x 4" deep pans, per drawer (pans supplied by others)	\$4,313	AS3978273	Extra shelf per section (48" and 72")	\$116
3977985	TR9B Tray Rack — 24" size door or larger only (Base support style for 18" x 26" trays; 2" centers)	\$398	AS000-D48-0038	Condenser filter	\$324
412	Move mechanical housing to the left	\$394	COVPEDAL	Foot pedal	\$528
AS000-B7G-0030	Fan assist (17.5x5")	\$730	44RPLIGHT	LED interior light	\$1,248
AS000-B7G-0031	Fan assist (10x5")	\$533	AS000-AQS-0043	48" one tier Overshelf	\$2,166
PTB-RMT	Remote option (specify refrigerant)	-\$554	AS000-AQS-0044	72" one tier Overshelf	\$2,431
1027J	Foot pedal	\$528	AS000-AQS-0045	96" one tier Overshelf	\$2,546
			AS000DAQS-0046	48" two tier Overshelf	\$3,725
			AS000DAQS-0047	72" two tier Overshelf	\$4,278
			AS000DAQS-0048	96" two tier Overshelf	\$4,407

DRAWER CONFIGURATIONS FOR PTBMP, PDLP AND PTLP SERIES.



F2600CP SERIES

Standard Low Profile Freezer Base
Equipment Stands

F2900CP SERIES

Low Profile Refrigerated Base
Equipment Stands



EQUIPMENT STANDS

F2900CP SERIES — REFRIGERATOR BASE EQUIPMENT STANDS F2600CP SERIES — FREEZER BASE EQUIPMENT STANDS



**F2980P
SHOWN WITH
OPTIONAL CASTERS**



**FULL EXTENSION PLUS
DRAWER SYSTEM**

- Top is 18-gauge stainless steel, with integral full perimeter marine edge
- Standard stainless steel ends
- High density polyurethane foam insulation throughout unit
- Refrigerated/freezer base fronts are made of .095" thick ABS plastic backed by rigid polyurethane water blown injection molded frames (NO WOOD)
- Exterior drawer fronts are stainless steel with an Delrite ABS plastic liner
- Snap-in dart style vinyl magnetic gasket
- Drawer handles are recessed black plastic held in with a positive lock system
- 14-gauge leg rails run the entire length of the unit
- Self-contained refrigerators come standard on 500 pound casters with optional 4" adjustable full stainless steel legs and bullet feet
- 8' cord and plug supplied
- Base interior cabinet is cooled with mullion style coated blower coil(s) mounted between each door/drawer section for even air and temperature control
- Blower coil enclose refrigeration lines, evaporator coil, expansion valve and fans
- Interior refrigerated base cabinet section to maintain 36° to 40° meeting NSF7 requirements
- Digital thermometer with electronic controls
- Electric condensate evaporators are standard
- Wall-mounted bracket to prevent tipping
- Full Extension Plus Drawer system is a complete drawer system. F2600CP model drawer systems hold 12" x 20" x 8" deep hotel pans (by others). F2900CP model drawer systems hold 12" x 20" x 4" deep hotel pans (by others). The drawer system is all stainless steel construction for maximum durability.
- F2600CP base cabinet will maintain 0° to -5° temperatures at 100° ambient room temperature meeting NSF7 requirements
- When ordering, specify make, model and depth of cooking equipment sitting on the equipment stand
- Height of surface for setting equipment is 25.50"
- Self-contained freezers are standard with a defrost timer
- Environmentally friendly R290 refrigerant
- Three year parts and labor warranty and an additional 4 year compressor parts warranty.



**10-YEAR WARRANTY ON
DELFIELD'S FULL EXTENSION
PLUS DRAWER SYSTEM TRACK!**

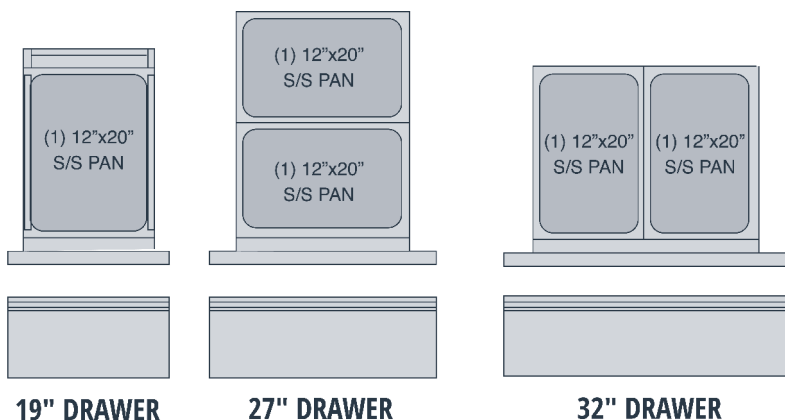
MODEL	L	D	H	# OF DOORS	PAN CAPACITY	H.P.	AMP	VOLTS	NEMA PLUG	SHIP WEIGHT	FREIGHT CLASS	LIST PRICE
SELF-CONTAINED LOW-PROFILE REFRIGERATED BASE EQUIPMENT STANDS												
NOTE: REMOVE THE "C" ON THE MODEL NUMBER WHEN ORDERING WITH LEGS. (EXAMPLE - F2952P).												
F2936CP	36.25	31"	24"	(2) 27"	4	0.17	2	115	5-15P	374	110	\$13,670
F2952CP	52.25	31"	24"	(2) 32"	4	0.2	2.9	115	5-15P	398	110	\$20,059
F2956CP	56.25	31"	24"	(2) 32"	4	0.2	2.9	115	5-15P	405	110	\$20,742
F2960CP	60.25	31"	24"	(2) 19" (2) 27"	6	0.2	2.9	115	5-15P	464	110	\$22,634
F2962CP	62.25	31"	24"	(2) 19" (2) 27"	6	0.2	2.9	115	5-15P	479	110	\$23,314
F2973CP	73.25	31"	24"	(2) 27" (2) 32"	8	0.25	4.8	115	5-15P	535	110	\$23,482
F2975CP	75.25	31"	24"	(2) 27" (2) 32"	8	0.25	4.8	115	5-15P	540	110	\$24,095
F2978CP	78.25	31"	24"	(4) 32"	8	0.25	4.8	115	5-15P	589	110	\$24,334
F2980CP	80.25	31"	24"	(4) 32"	8	0.25	4.8	115	5-15P	600	110	\$24,563
F2987CP	87.25	31"	24"	(4) 27" (2) 19"	10	0.25	4.8	115	5-15P	672	110	\$28,261
F2996CP	96.25	31"	24"	(6) 27"	12	0.25	4.8	115	5-15P	725	110	\$27,862
F2999CP	99.25	31"	24"	(6) 27"	12	0.25	4.8	115	5-15P	725	110	\$28,681
F29110CP	110.25	31"	24"	(6) 32"	12	0.35	6.3	115	5-15P	766	110	\$29,023
SELF-CONTAINED LOW-PROFILE FREEZER BASE EQUIPMENT STANDS												
F2660CP	60.25"	31"	24"	(1) 32"	4	(2) .35	7.6	115	5-15P	418	110	\$25,658
F2694CP	94.25"	31"	24"	(2) 32"	8	(2) .35	7.6	115	5-15P	505	110	\$30,178

F26, 29 Series accessories and modifications can be found on page 40.

EQUIPMENT STAND ACCESSORIES

ACCESSORY	DESCRIPTION	LIST PRICE
F2600CP & F2900CP SERIES		
505H	Stainless steel back	\$25/LINEAR INCH
108	Drawer locks (Factory installed only)	\$468/EACH
412	Mechanical housing, left side	\$473
1027I	6" casters in lieu of 4" casters	\$348
104A	19" door, low profile doors in lieu of drawers except 32"	\$784
104C	27" door, low profile doors in lieu of drawers except 32"	\$829
906E	Plastic laminate end doors in lieu of drawers except 32"	\$780
505A	Plastic laminate back doors in lieu of drawers except 32"	\$34/LINEAR INCH
505F	Plastic laminate front doors in lieu of drawers except 32"	\$19/LINEAR INCH
102E	19" single drawer, low profile — Single 8" deep drawer in lieu of standard 2 high drawer set (F29 Series)	\$3,048
102G	27" single drawer, low profile — Single 8" deep drawer in lieu of standard 2 high drawer set (F29 Series)	\$3,222
102H	32" single drawer, low profile — Single 8" deep drawer in lieu of standard 2 high drawer set (F29 Series)	\$3,222
102N	Modify 4" Lo-Pro Drawers to 6" deep	\$269
	Single 8" deep polycarbonate pans for 8" deep drawer available	CONTACT FACTORY
	Remote refrigeration available	CONTACT FACTORY

DRAWER CONFIGURATIONS FOR F2600CP & F2900CP SERIES.



EHEI
Hot Food Tables



EHEI HOT FOOD TABLE



EHEI36C

- Stainless steel top and sides
- Individual wells with infinite controls
- Wet and dry operation
- 8" polyethylene cutting board
- Drains, manifold and common gate valve
- Stainless steel plate shelf
- Fill faucet
- Stainless steel bottom shelf with 3" riser at rear
- Models on casters (C) standard with cord and plug
- One year parts and labor warranty

MODEL	L	D	H	# OF WELLS	PAN CAPACITY	VOLTS	NEMA PLUG	SHIP WEIGHT	FREIGHT CLASS	LIST PRICE
EHEI36C	36"	31.5"	36"	2	120	20	5-30P	250	100	\$6,766
EHEI48C	48"	31.5"	36"	3	208/230	15.0/16.0	6-20P	280	100	\$8,306
EHEI60C	60"	31.5"	36"	4	208/230	20.0/22.0	6-30P	310	100	\$10,003
EHEI74C	74"	31.5"	36"	5	208/230	24.0/27.0	6-50P	350	100	\$11,696
EHEI36C-208	36"	31.5"	36"	2	208/230	20	5-30P	250	100	\$6,986

ACCESSORIES

ACCESSORY	DESCRIPTION	LIST PRICE
ECSB36	36" Chef side stainless steel back	\$472
ECSB48	48" Chef side stainless steel back	\$598
ECSB60	60" Chef side stainless steel back	\$732
ECSB74	74" Chef side stainless steel back	\$878
EHEI-36BRD	36" Composite 8" deep cutting boards in lieu of standard polyethylene	\$379
EHEI-48BRD	48" Composite 8" deep cutting boards in lieu of standard polyethylene	\$444
EHEI-60BRD	60" Composite 8" deep cutting boards in lieu of standard polyethylene	\$617
EHEI-74BRD	74" Composite 8" deep cutting boards in lieu of standard polyethylene	\$760
—	6" Stainless Steel Legs (Ship Loose Kit for field installation)	\$127
EHEI-CORD	Cord and plug (units on legs only) Original order only; not field-installable; per door	\$899
605C1	Single tier stainless steel overshelf 18" deep	\$23/INCH
605C2	Double tier stainless steel overshelf 18" deep	\$54/INCH

ASMP SERIES

Drop-In Air Screen Merchandisers

F5P SERIES

Drop-In Display Cases

F15P SERIES

Servview Display Cases



ASMP SERIES — DROP-IN AIR SCREEN MERCHANDISER



ASM-48P
SHOWN WITH OPTIONAL
SHELLEY BASE

- All glass display area and top slim line LED lighting showcases product
- Bottom shelf is a recessed pan, perfect for bottles or taller items
- Three 1" adjustable glass shelves with cool white LED lights standard
- Slide out condensing unit allows for easy serviceability
- R290 refrigerant
- Shelves can be positioned three ways: completely flat, slanted and full tilt
- Drain requires hard plumbing (unless condensate evaporator option is selected)
- Sliding rear doors make replenishment and loading easy
- Meets NSF7 Type 2 requirements which maintains 33°F to 41°F temperature in 80°F environment with 55% relative humidity
- Standard with two louvers, shipped loose, for proper airflow in base
- One year parts and labor standard warranty

MODEL	L	D	H	CUTOUT DIMENSION	H.P.	V/HZ/PH	AMPS	NEMA PLUG	SHIP WEIGHT	LIST PRICE
ASM-36P	36.25"	26"	63.48"	35.13" x 25.50"	1/3	115/208-240/60/1	3.7	14-20P	350lbs.	\$46,782
ASM-48P	48.25"	26"	63.48"	47.13" x 25.50"	1/2	115/208-240/60/1	7.7	14-20P	457lbs.	\$49,157

ASMP Series accessories and modifications can be found on page 47.

DISPLAY CASES

F5P SERIES — DROP-IN REFRIGERATED DISPLAY CASES



F5MC48DP

- Display exterior sides are made of 18-gauge stainless steel
- ABS plastic interior sides with molded shelf supports
- (3) adjustable epoxy coated wire shelves
- LED lighting
- Top mount coil with multiple fans circulating the air throughout the cabinet
- Display section runs off a electronic control
- ABS plastic drip pan is placed below the coil with a clear drain hose for running the condensation to the lower base mechanical section
- Sliding and removable self-closing .50" thick argon filled, low-E, warm edge insert, thermopane glass doors with left and right vertical gasket
- High density polyurethane foam throughout unit
- Optional 220V-50 cycle
- "M" units have a single service display section with mirrored back. "P" units have Pass-through display section with glass doors on both sides
- Environmentally friendly R290 refrigerant
- One year parts and labor standard warranty. Additional warranties available

MODEL	L	D	H	CAPACITY CU. FT.	SHELVES SQ. FT.	# OF SHELVES	H.P.	AMP	VOLTS	NEMA PLUG	SHIP WEIGHT	FREIGHT CLASS	LIST PRICE
SELF-CONTAINED DROP-IN REFRIGERATED DISPLAY CASES †INCLUDES COMPRESSOR HOUSING													
F5MC36DP	36"	30"	56.9"	16.1	14.1	3	1/4	4.5	115	5-15P	525lbs/238kg	110	\$29,597
F5PC36DP	36"	30"	56.9"	18.1	15.5	3	1/4	4.5	115	5-15P	541lbs/245kg	110	\$33,256
SELF-CONTAINED DROP-IN REFRIGERATED DISPLAY CASES													
F5MC48DP	48"	30"	56.9"	22.3	19.6	3	1/4	4.5	115	5-15P	590lbs/268kg	100	\$31,526
F5PC48DP	48"	30"	56.9"	25	21.4	3	1/4	4.5	115	5-15P	609lbs/276kg	100	\$35,417
SELF-CONTAINED DROP-IN REFRIGERATED DISPLAY CASES †INCLUDES COMPRESSOR HOUSING													
F5MC60DP	60"	30"	56.9"	28.4	25	3	1/3	5.9	115	5-20P	690lbs/313kg	110	\$32,185
F5PC60DP	60"	30"	56.9"	31.9	27.3	3	1/3	5.9	115	5-20P	711lbs/323kg	110	\$37,718
SELF-CONTAINED DROP-IN REFRIGERATED DISPLAY CASES													
F5MC72DP	72"	30"	56.9"	34.6	30.5	3	1/3	5.9	115	5-20P	790lbs/358kg	110	\$34,115
F5PC72DP	72"	30"	42"	38.8	33.3	3	1/3	5.9	115	5-20P	815lbs/370kg	110	\$38,334

F5P Series accessories and modifications can be found on page 47.

F15P SERIES — REFRIGERATED DISPLAY CASE WITH STORAGE



F15MC48DP

DISPLAY CASE

- Display exterior sides are made of 18-gauge stainless steel
- ABS plastic interior sides with molded shelf supports
- (3) adjustable epoxy coated wire shelves
- LED Lighting
- Top mount coil with multiple fans circulating the air throughout the cabinet
- Display section run off a electronic control
- ABS plastic drip pan is placed below the coil with a clear drain hose for running the condensation to the lower base mechanical section
- Sliding and removable self-closing .50" thick argon filled, low-E, warm edge insert, thermopane glass doors with left and right vertical gasket

BASE

- Standard heavy duty units have unfinished base ends, for finished end options, see page 56
- Base top is constructed of 16-gauge stainless steel
- High density polyurethane foam throughout unit
- Refrigerated base fronts are made of .095" thick ABS plastic backed by rigid polyurethane water blown injection molded frames (NO WOOD)
- Epoxy coated shelf for each door
- Exterior door fronts are stainless steel with ABS plastic liner

- Snap-in dart style vinyl magnetic gasket
- Door handles are recessed black plastic and held in with a positive lock system
- 14-gauge leg rails that run the entire length of the unit
- 6.12" adjustable full stainless steel legs and bullet feet
- Base interior cabinet is cooled with mullion style coated blower coil(s) mounted between each door/drawer section for even air and electronic temperature control
- Blower coil encloses refrigeration lines, evaporator coil, expansion valve, thermostat and fans
- Interior refrigerated base cabinet and display section to maintain 36° to 41° meeting NSF requirements
- Optional 220V-50 cycle
- "M" units have a single service display section with mirrored back. "S" units have a single service display section with a see-through back. "P" units have Pass-through display section with glass doors on both sides
- Environmentally friendly R290 refrigerant
- One year parts and labor standard warranty. Additional warranties available

MODEL	L	D	H	UPPER CU. FT.	SHELVES SQ. FT.	BASE CU. FT.	H.P.	AMPS	VOLTS	NEMA PLUG	SHIP WEIGHT	FREIGHT CLASS	LIST PRICE
SELF-CONTAINED													
F15MC48DP	48"	31.5"	78"	22.3	19.6	9.15	1/3	7.9	115	5-20P	759	110	\$34,601
F15PC48DP	48"	33.38"	78"	25	21.4	9.15	1/3	7.9	115	5-20P	807	110	\$38,878
F15MC60DP	60"	31.5"	78"	28.4	25	12.13	1/3	7.9	115	5-20P	949	110	\$40,907
F15PC60DP	60"	33.38"	78"	31.9	27.3	12.13	1/3	7.9	115	5-20P	1009	110	\$43,366
F15MC72DP	72"	31.5"	78"	34.6	30.5	18.04	1/2	8.1	115	5-20P	1110	110	\$40,907
F15PC72DP	72"	33.38"	78"	38.8	33.3	18.04	1/2	8.1	115	5-20P	1159	110	\$45,966

F15P Series accessories and modifications can be found on page 47.

DISPLAY CASE ACCESSORIES

ACCESSORY	DESCRIPTION	LIST PRICE
F5P SERIES		
302A	Reflective interior on pass-through doors (36")	
302B	Reflective interior on pass-through doors (48")	
302C	Reflective interior on pass-through doors (60")	
302D	Reflective interior on pass-through doors (72")	
303A	Extra 36" shelf (36" long units only; each)	
303B	Extra 48" shelf (48" long units only; each)	
303C	Extra 60" shelf (60" long units only; each)	
303D	Extra 72" shelf (72" long units only; each)	
—	Remote refrigeration	
F5V-ND	Narrow depth display case	
122I	230 volt, 50 cycle electrical system	
F15P SERIES		
302B	Reflective interior on pass-through doors (48")	
302C	Reflective interior on pass-through doors (60")	
302D	Reflective interior on pass-through doors (72")	
303B	Extra 48" shelf (48" long units only; each)	
303C	Extra 60" shelf (60" long units only; each)	
303D	Extra 72" shelf (72" long units only; each)	
906E	Plastic laminate end	
505A	Plastic laminate back	
505F	Plastic laminate front	
505H	Stainless steel back	
906A	Stainless steel end	
—	Remote refrigeration	
—	Narrow depth display case	
ASM SERIES		
ASML	Laminated sides & top	\$1,379
ASMR	Remote (specify refrigerant)	\$2,910
ASM-CE	Condensate Evaporator	CONTACT FACTORY

**CONTACT FACTORY
FOR PRICING**

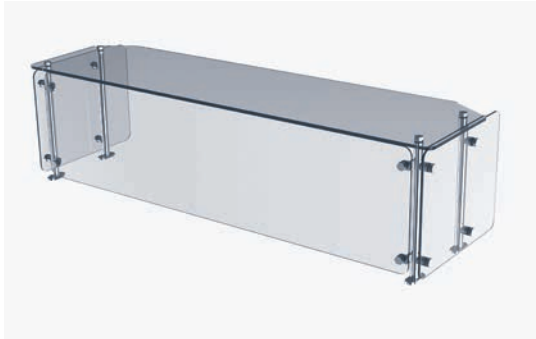
**CONTACT FACTORY
FOR PRICING**

FLEXISHIELD®
Foodshields

SHELLEYSTEEL®
Stainless Steel Mobile Serving
Systems

SHELLEYGLAS®
Fiberglass Mobile Serving Systems

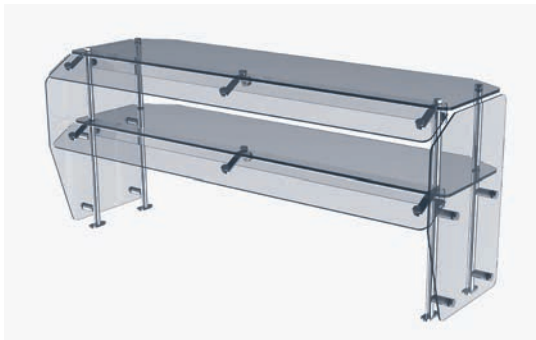




DCFSG SERIES
Single tier glass front protector



DCFSG2 SERIES
Double tier glass front protector



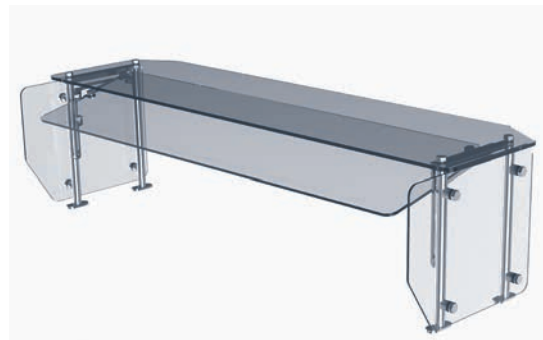
DCFSH SERIES
Double tier, with sneeze guard fronts



DCFSHD SERIES
Double service, double tier display
with sneeze guard fronts



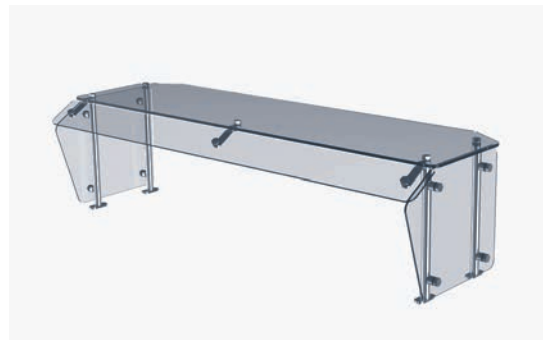
DCFSSS SERIES
Slicer Shield



DCFSFS SERIES
Single tier, flexible food shield
(pivots in three positions)



DCFSFS2 SERIES
Double tier flexible foodshield
(pivots in three positions)



DCFSKS SERIES
Single tier, fixed food shield
front, single service



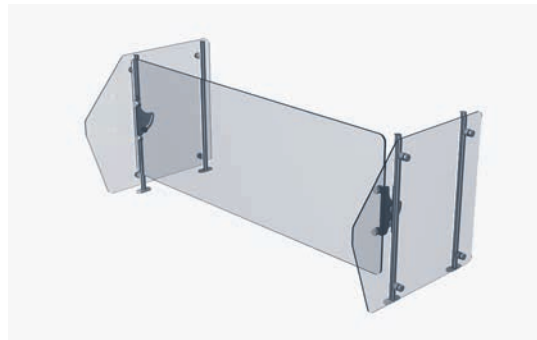
DCFSGH SERIES
Double tier display, bottom tier
full glass front, second tier



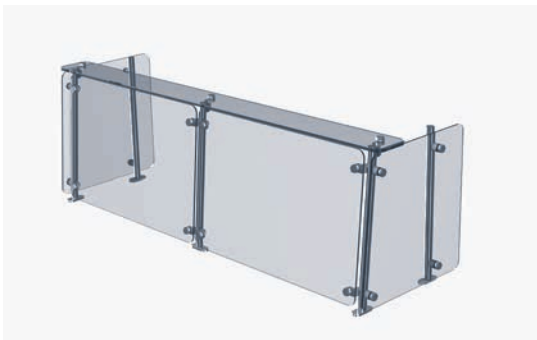
DCFSHG SERIES
Double tier display bottom
tier sneeze guard style, second



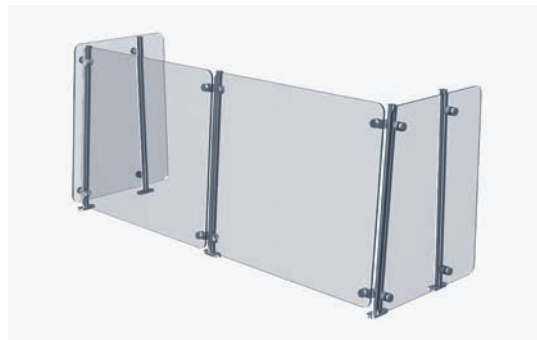
DCFSKD SERIES
Single tier, fixed food shield
front, dual service



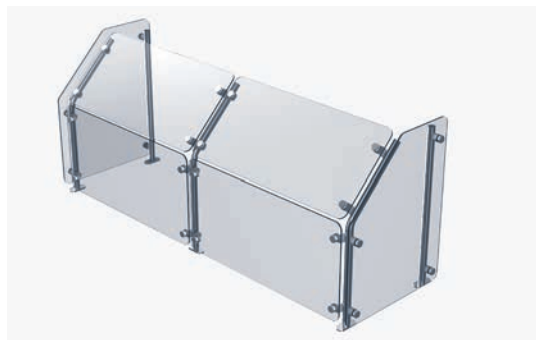
DCFSRF SERIES
Flexible shield, rotating front



DCFSASST SERIES
Angled glass front, slicer shield style
with glass top

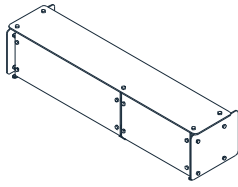


DCFSASS SERIES
Angled slicer shield



DCFSAF SERIES
Angled turned back glass
front single service

FLEXISHIELD® FOOD SHIELDS



**DCFSG
SINGLE TIER GLASS
FRONT PROTECTOR**

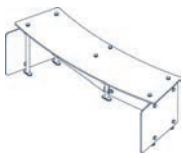
- Mostly glass display allows you to see product from every angle
- Standard construction is 1" diameter stainless steel tubular legs.
 - 1/4" tempered glass fronts and end glass. 3/8" tempered glass top shelf
- Comes fully assembled
- Standard bright chrome finish and black powdercoat
- End glass is standard on all food shields
- A complete line of accessories including stainless steel shelves, heat lamps and lighting
- All models meet NSF 2011 requirements.

MODEL	DESCRIPTION	L	D	H	PER LINEAR INCH PRICING
DCFSG	Glass front food shield, single tier with glass shelf, single service	—	—	—	\$85
DCFSG2	Glass front food shield, double tier with two glass shelves, single service	—	—	—	\$168
DCFSSS	Glass front food shield, slicer shield style	—	—	—	\$79
DCFSH	Two tier display, sneeze guard, single service	—	—	—	\$130
DCFSHD	Two tier display with sneeze guard, dual service	—	—	—	\$188
DCFSFS	Flexible shield, converts to three positions	—	—	—	\$133
DCFSFS2	Flexible shield, converts to three positions, two tier	—	—	—	\$181
DCFSKS	Single tier display, fixed sneeze guard front, single service	—	—	—	\$72
DCFSKD	Single tier display, fixed sneeze guard front, dual service	—	—	—	\$82
DCFSGH	Double tier display, bottom tier full glass front, second tier sneeze guard	—	—	—	\$144
DCFSHG	Double tier display, bottom tier sneeze guard, second tier full glass front	—	—	—	\$144
DCFSRF	Flexible shield, rotating front	—	—	—	\$120
DCFSASST	Angled glass front, slicer shield style with glass top	—	—	—	\$79
DCFSASS	Angled slicer shield	—	—	—	\$79
DCFSAF	Angled turned back glass front single service	—	—	—	\$79

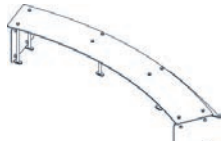
FLEXISHIELD DISPLAY

DCFSR	Corner Flexishield, 24" 90 degree with radius front edge, single tier	24"	24"	16"	\$4,190
DCFSRD	Corner Flexishield, 24" 90 degree with radius front edge, double tier	24"	24"	26"	\$8,381
DCFSOS-XX	Overshelf with radial front edge, single tier	—	18"	16"	\$78
DCFSOS2-XX	Overshelf with radial front edge, double tier	—	18"	26"	\$164

DCFSR: RADIAL FLEXISHIELD® FOOD SHIELD



DCFSRIG-3



DCFSROKS-5

- Mostly glass display allows you to see product from every angle
- 1" stainless steel legs
- Meets 2011 NSF requirements
- Flange mounted foot makes installation easy
- Comes fully assembled from factory
- Standard end glass
- One year parts and labor standard warranty

MODEL	DESCRIPTION	L	D	H	SHIP WEIGHT	FREIGHT CLASS	LIST PRICE
-------	-------------	---	---	---	-------------	---------------	------------

RADIAL FLEXISHIELD FOODSHIELDS

DCFSRIG-2	Radial food shield, full glass front, inside, single service, 2 pan	38.47"	18"	16"			
DCFSRIG-3	Radial food shield, full glass front, inside, single service, 3 pan	53.43"	18"	16"			
DCFSRIG-4	Radial food shield, full glass front, inside, single service, 4 pan	68.17"	18"	16"			
DCFSRIG-5	Radial food shield, full glass front, inside single service 5 pan	82.61"	18"	16"			
DCFSROG-2	Radial food shield, full glass front, outside, single service, 2 pan	43.09"	18"	16"			
DCFSROG-3	Radial food shield, full glass front, outside, single service, 3 pan	59.85"	18"	16"			
DCFSROG-4	Radial food shield, full glass front, outside, single service, 4 pan	76.35"	18"	16"			
DCFSROG-5	Radial food shield, full glass front, outside single service 5 pan	92.53"	18"	16"			
DCFSRIKS-2	Radial food shield, sneeze guard front, inside, single service, 2 pan	38.47"	18"	14.75"			
DCFSRIKS-3	Radial food shield, sneeze guard front, inside, single service, 3 pan	53.43"	18"	14.75"			
DCFSRIKS-4	Radial food shield, sneeze guard front, inside, single service, 4 pan	68.17"	18"	14.75"			
DCFSRIKS-5	Radial food shield, sneeze guard front, inside single service 5 pan	82.61"	18"	14.75"			
DCFSROKS-2	Radial food shield, sneeze guard front, outside, single service, 2 pan	43.09"	18"	14.75"			
DCFSROKS-3	Radial food shield, sneeze guard front, outside, single service, 3 pan	59.85"	18"	14.75"			
DCFSROKS-4	Radial food shield, sneeze guard front, outside, single service, 4 pan	76.35"	18"	14.75"			
DCFSROKS-5	Radial food shield, sneeze guard front, outside single service 5 pan	92.53"	18"	14.75"			
DCFSRKD-2	Radial food shield, sneeze guard front, dual service, 2 pan	43.09"	35.50"	15"			
DCFSRKD-3	Radial food shield, sneeze guard front, dual service, 3 pan	59.85"	35.50"	15"			
DCFSRKD-4	Radial food shield, sneeze guard front, dual service, 4 pan	76.35"	35.50"	15"			
DCFSRKD-5	Radial food shield, sneeze guard front, dual service 5 pan	92.53"	35.50"	15"			

CONTACT FACTORY

CONTACT FACTORY

CONTACT FACTORY

FLEXISHIELD® POWDERCOAT

MODEL	DESCRIPTION	LIST PRICE
-------	-------------	------------

BLACK POWDERCOAT

DCFSBP-RIG-2	RIG-2 style radial food shield	
DCFSBP-RIG-3	RIG-3 style radial food shield	
DCFSBP-RIG-4	RIG-4 style radial food shield	
DCFSBP-RIG-5	RIG-5 style radial food shield	
DCFSBP-ROG-2	ROG-2 style radial food shield	
DCFSBP-ROG-3	ROG-3 style radial food shield	
DCFSBP-ROG-4	ROG-4 style radial food shield	
DCFSBP-ROG-5	ROG-5 style radial food shield	
DCFSBP-RIKS-2	RIKS-2 style radial food shield	
DCFSBP-RIKS-3	RIKS-3 style radial food shield	

CONTACT FACTORY

MODEL	DESCRIPTION	LIST PRICE
-------	-------------	------------

BLACK POWDERCOAT

DCFSBP-RIKS-4	RIKS-4 style radial food shield	
DCFSBP-RIKS-5	RIKS-5 style radial food shield	
DCFSBP-ROKS-2	ROKS-2 style radial food shield	
DCFSBP-ROKS-3	ROKS-3 style radial food shield	
DCFSBP-ROKS-4	ROKS-4 style radial food shield	
DCFSBP-ROKS-5	ROKS-5 style radial food shield	
DCFSBP-RKD-2	RKD-2 style radial food shield	
DCFSBP-RKD-3	RKD-3 style radial food shield	
DCFSBP-RKD-4	RKD-4 style radial food shield	
DCFSBP-RKD-5	RKD-5 style radial food shield	

CONTACT FACTORY

SH SERIES — MOBILE HEATED SERVING COUNTERS



SH-3-NU
SHOWN WITH THE FOLLOWING OPTIONS:

G: Glass front counter protector
A: 12" stainless steel V fold-down tray slide



SH-4-NU
SHOWN WITH THE FOLLOWING OPTIONS:

KS: Glass front counter protector
A: 12" stainless steel V fold-down tray slide

- 14-gauge stainless steel top
- 18-gauge stainless steel exterior body
- 14-gauge galvanized bottom
- SH units have heated under storage compartment, provided with removable pan slides. SH-NU units have enclosed bases with no under storage
- A maximum 10' long cord and plug are supplied standard
- Electrical connections are 60 hertz, single phase. Three-phase design is available for an additional charge. Electrical accessories may change listed amperage and plug
- Top has two to six electrically heated, recessed die stamped stainless steel hot food warmers. Each warmer accommodates one 12" x 20" x 6" pan
- Hot well(s) with drain(s) manifolded standard to common gate valve
- All exterior panels reinforced with overlapping corners, welded in place
- Wet and dry operation
- All body cutouts reinforced with 14-gauge channel supports
- Choose from an almost unlimited selection of laminate colors and textures to add color to any room
- All units are standard on 5" polyurethane swivel locking casters for easy cleaning
- Easy to use stainless steel interlock system is standard on base and tray slides
- Easily modified with a complete array of standard accessories
- Counter heights available from 28" to 36" in 2" increments
- Add eye catching decal packages or bright canopies to create a distinctive look!
- Features new easy access panel for quick replacement of heating element.
- One year parts and labor standard warranty. Additional warranties available

MODEL	DESCRIPTION	L	D	H	AMP	VOLTS	WATTS	NEMA PLUG	SHIP WEIGHT	FREIGHT CLASS	LIST PRICE
-------	-------------	---	---	---	-----	-------	-------	-----------	-------------	---------------	------------

SHELLESTEEL HEATED SERVING COUNTERS WITH UNDERSTORAGE

SH-2	2 food wells	36"	30"	36"	15	120/208-230	2900/3300	14-20P	380	100	\$15,704
SH-3	3 food wells	50"	30"	36"	20	120/208-230	3900/4500	14-30P	460	100	\$18,456
SH-4	4 food wells	60"	30"	36"	26	120/208-230	4900/5700	14-50P	550	100	\$20,058
SH-5	5 food wells	74"	30"	36"	31	120/208-230	5900/6900	14-50P	660	100	\$22,156
SH-6	6 food wells	96"	30"	36"	37	120/208-230	6900/7900	14-50P	720	100	\$24,880

SHELLESTEEL HEATED SERVING COUNTERS WITHOUT UNDERSTORAGE

SH-2-NU	2 food wells	36"	30"	36"	11	120/208-230	2000/2400	14-20P	225	100	\$12,010
SH-3-NU	3 food wells	50"	30"	36"	16	120/208-230	3000/3600	14-20P	275	100	\$13,717
SH-4-NU	4 food wells	60"	30"	36"	22	120/208-230	4000/4800	14-30P	330	100	\$14,887
SH-5-NU	5 food wells	74"	30"	36"	28	120/208-230	5000/6000	14-50P	420	100	\$16,906
SH-6-NU	6 food wells	96"	30"	36"	33	120/208-230	6000/7000	14-50P	510	100	\$19,534

SHELLESTEEL INDUCTION

- Induction hot, control and generator provided
- One control per every (2) hots standard
- Up to (4) hobs connected to one generator

MODEL	# OF HOB(S)	ELECTRICAL	WATTS	AMPS	NEMA PLUG	LIST PRICE
-------	-------------	------------	-------	------	-----------	------------

SHELLEY INDUCTION

SID1-30-NU	1	230V, 60Hz, 1Ph	450	2	14-20P	\$14,388
SID2-36-NU	2	230V, 60Hz, 1Ph	900	3.9	14-20P	\$19,130
SID3-60-NU	3	230V, 60Hz, 1Ph	1350	5.9	14-20P	\$23,874
SID4-74-NU	4	230V, 60Hz, 1Ph	1800	7.8	14-20P	\$28,614

SCSC-BP SERIES — MOBILE REFRIGERATED COLD PAN SERVING COUNTERS

SCSC-EFP SERIES — LIQUITEC REFRIGERATED COLD PAN



SCSC-74-BP
Pans by others



SCSC-60-EFP

Shown with optional laminate, canopy, custom counter protector and extended base



Patented LiquiTec® Technology brings food and pans completely flush!

- 14-gauge stainless steel top
- 18-gauge stainless steel exterior body
- 14-gauge galvanized bottom
- On/off switch mounted to exterior of unit
- A maximum 10' long cord and plug are supplied standard
- All exterior panels reinforced with overlapping corners, welded in place
- All body cutouts reinforced with 14-gauge channel supports
- Choose from an almost unlimited selection of laminate colors and textures to add color to any room
- Electrical connections are 60 hertz, single phase. Electrical accessories may change listed amperage and plug
- All units are standard on 5" polyurethane swivel locking casters for easy cleaning
- Easy to use stainless steel interlock system is standard on base and tray slides
- Easily modified with a complete array of standard accessories
- Add eye catching decal packages or bright canopies to create a distinctive look!
- Counter heights available from 28" to 36" in 2" increments
- Environmentally friendly R290 refrigerant
- One year parts and labor standard warranty. Additional warranties available

SCSC-BP

- SCSC-B Series counters are standard with 7" deep refrigerated cold pan. Cold pans are fully insulated with foamed in place polyurethane insulation
- Pans recessed 2" from top edge of counter
- SCSC-B models are standard with enclosed base
- Cold pans are standard with drain with valve
- Adapter bars will be furnished at no additional charge if requested on original order only. Pans are supplied by others
- Optional open shelf and dry door inserts can be added to all models and lengths. Refrigerated insert can be added to 60", 74", or 96" long units

SCSC-EFP

- The LiquiTec cold pan has two – six die stamped openings with depressed edges, each well, holding one 12" x 20" pan (pans supplied by others)
- Eutectic fluid completely surrounds each cold pan providing the maximum-- five sided cooling
- All SCSC-EF models meet NSF 7 with pans completely flush with counter
- Cold pan is fully insulated with foamed in place polyurethane insulation

MODEL	COLD PAN SIZE	L	D	H	AMP	H.P.	VOLTS	NEMA PLUG	SHIP WEIGHT	FREIGHT CLASS	LIST PRICE
-------	---------------	---	---	---	-----	------	-------	-----------	-------------	---------------	------------

SHELLESTEEL REFRIGERATED COLD PAN SERVING COUNTERS

SCSC-36-BP	26" X 21.62"	36"	30"	36"	7	1/4	115	5-15P	350	100	\$11,744
SCSC-50-BP	39" X 21.62"	50"	30"	36"	7	1/4	115	5-15P	425	100	\$11,996
SCSC-60-BP	52" X 21.62"	60"	30"	36"	7	1/4	115	5-15P	500	100	\$12,491
SCSC-74-BP	65" X 21.62"	74"	30"	36"	7	1/4	115	5-15P	575	110	\$15,298
SCSC-96-BP	78" X 21.62"	96"	30"	36"	7	1/4	115	5-15P	650	110	\$16,936

SHELLESTEEL LIQUITEC COLD PAN SERVING COUNTER WITH PATENTED LIQUITEC® TECHNOLOGY

SCSC-36-EFP	2 pan cap	36"	30"	36"	7	1/4	115	5-15P	380	100	\$16,655
SCSC-50-EFP	3 pan cap	50"	30"	36"	7	1/4	115	5-15P	455	100	\$17,860
SCSC-60-EFP	4 pan cap	60"	30"	36"	7	1/4	115	5-15P	530	100	\$18,433
SCSC-74-EFP	5 pan cap	74"	30"	36"	7	1/4	115	5-15P	615	100	\$20,158
SCSC-96-EFP	6 pan cap	96"	30"	36"	7	1/4	115	5-15P	680	100	\$22,415

Shelleyglas accessories and modifications can be found on pages 69-73.

SHCR-BP SERIES — HOT/COLD COMBINATION COUNTERS
SHC SERIES — ICE COOLED HOT/COLD COMBINATION COUNTERS



SH2CR-60-B
 SHOWN WITH THE FOLLOWING OPTIONS:
 A: 12" Stainless steel V-fold down
 E: 10" Wide stainless steel fold down work shelf
 KS: Single service flip up sneeze guard
 U: End shelf

- Save space by having both hot and cold in one convenient location
- 14-gauge stainless steel top
- 18-gauge stainless steel exterior body
- 14-gauge galvanized bottom
- All SHCR-B models are standard with enclosed bases
- Top has one to four electrically heated, recessed die-stamped stainless steel hot food warmers. Each warmer accommodates a 12" x 20" x 6" pan (pans supplied by others)
- A maximum 10' long cord and plug are supplied standard
- Electrical connections are 60 hertz, single phase. Three-phase design is available for an additional charge. Electrical accessories may change listed amperage and plug
- All exterior panels reinforced with overlapping corners, welded in place
- All body cutouts reinforced with 14-gauge channel supports
- Choose from an almost unlimited selection of laminate colors and textures to add color to any room
- Wet and dry operation
- All units are standard on 5" polyurethane swivel locking casters for easy cleaning
- Easy to use stainless steel interlock system is standard on base and tray slides

- Easily modified with a complete array of standard accessories
- Counter heights available from 28" to 36" in 2" increments
- Add eye catching decal packages or bright canopies to create a distinctive look!
- One year parts and labor standard warranty. Additional warranties available

SHCR-BP ONLY

- The refrigerated cold pan is 7" deep constructed of stainless steel. Cold pan is equipped with a 1" drain with valve. Hot well(s) equipped with a drain with gate valve
- Meets NSF requirements with 3" recessed pans
- Environmentally friendly R290 refrigerant

SHC ONLY

- Insulated ice pan is 7" deep and constructed of 22-gauge stainless steel. Perforated false bottom, and drain with valve is standard. Hot well(s) with drain(s) manifolded standard to common gate valve

MODEL	HOT WELLS	COLD PAN SIZE	L	D	H	AMP	H.P.	VOLTS	WATTS	NEMA PLUG	SHIP WEIGHT	FREIGHT CLASS	LIST PRICE
SHELLEYSTEEL HEATED SERVING COUNTERS WITH UNDERSTORAGE													
SHCR-50-BP	1	26" X 21.62"	50"	30"	36"	16	1/4	120	1000	5-20P	475	100	\$13,706
SHCR-60-BP	1	39" X 21.62"	60"	30"	36"	16	1/4	120	1000	5-20P	575	100	\$14,602
SH2CR-62-BP	2	26" X 21.62"	62"	30"	36"	18	1/4	120/208-230	2000/2400	14-30P	575	100	\$16,099
SHCR-74-BP	1	52" X 21.62"	74"	30"	36"	16	1/4	120	1000	5-20P	688	100	\$17,266
SH2CR-74-BP	2	26" X 21.62"	74"	30"	36"	18	1/4	120/208-230	2000/2400	14-30P	690	100	\$18,310
SHCR-96-BP	1	65" X 21.62"	96"	30"	36"	16	1/4	120	1000	5-20P	730	100	\$20,615
SH2CR-96-BP	2	52" X 21.62"	96"	30"	36"	18	1/4	120/208-230	2000/2400	14-30P	740	100	\$23,051
SH3CR-96-BP	3	39" X 21.62"	96"	30"	36"	23	1/4	120/208-230	3000/3600	14-30P	750	100	\$24,672
SH4CR-96-BP	4	26" X 21.62"	96"	30"	36"	29	1/4	120/208-230	4000/4800	14-50P	760	100	\$26,788

Shelleyglas accessories and modifications can be found on pages 69-73. | For LiquiTec® option, see accessory pages.

MODEL	HOT WELLS	COLD PAN SIZE	L	D	H	AMP	VOLTS	WATTS	NEMA PLUG	SHIP WEIGHT	FREIGHT CLASS	LIST PRICE
SHELLEYSTEEL ICE-COOLED HOT AND COLD COMBINATION COUNTERS												
SHC-50-NU	1	26" X 21.62"	50"	30"	36"	9	120	1000	5-15P	300	100	\$7,804
SHC-60-NU	1	39" X 21.62"	60"	30"	36"	9	120	1000	5-15P	350	100	\$8,923
SH2C-62-NU	2	26" X 21.62"	62"	30"	36"	11	120/208-230	2000/2400	14-20P	350	100	\$8,975
SHC-74-NU	1	52" X 21.62"	74"	30"	36"	9	120	1000	5-15P	400	100	\$10,969
SH2C-74-NU	2	26" X 21.62"	74"	30"	36"	11	120/208-230	2000/2400	14-20P	410	100	\$12,743
SH3C-74-NU	3	26" X 21.62"	74"	30"	36"	16	120/208-230	3000/3600	14-20P	420	100	\$10,255
SHC-96-NU	1	65" X 21.62"	96"	30"	36"	9	120	1000	5-15P	425	100	\$14,897
SH2C-96-NU	2	52" X 21.62"	96"	30"	36"	11	120/208-230	2000/2400	14-20P	430	100	\$16,726
SH3C-96-NU	3	39" X 21.62"	96"	30"	36"	16	120/208-230	3000/3600	14-20P	450	100	\$18,505
SH4C-96-NU	4	26" X 21.62"	96"	30"	36"	22	120/208-230	4000/4800	14-30P	460	100	\$20,593

Shelleyglas accessories and modifications can be found on pages 69-73. | For LiquiTec® option, see accessory pages.

SHELLESTEEL FLEXIWELLS

- NSF4 and NSF7 certified for hot and or cold operations - Wells operate independently for hot or cold operation and vice versa



SCFT-74-NUP



Add eye catching decal packages or bright canopies to create a distinctive look!

- 14-gauge stainless steel top
- 18-gauge stainless steel exterior body
- 14-gauge galvanized bottom
- Frost top is 18-gauge stainless steel, one piece construction; perimeter drain with valve located at bottom of unit standard
- 18" x 26" sheet pan can rest on frost top
- On/off switch located on exterior of unit
- SCFT units are standard with enclosed base
- Meets NSF requirements
- Environmentally friendly R290 refrigerant
- A maximum 10' long cord and plug are supplied standard
- Electrical connections are 60 hertz, single phase. Electrical accessories may change listed amperage and plug
- All exterior panels reinforced with overlapping corners, welded in place
- All body cutouts reinforced with 14-gauge channel supports

- All units are standard on 5" polyurethane swivel locking casters for easy cleaning
- Easy to use stainless steel interlock system is standard on base and tray slides
- Easily modified with a complete array of standard accessories
- Counter heights available from 28" to 36" in 2" increments
- Choose from an almost unlimited selection of laminate colors and textures to add color to any room
- Add eye catching decal packages or bright canopies to create a distinctive look!
- One year parts and labor standard warranty. Additional warranties available

MODEL	12" X 20" PAN CAPACITY	HOT ELECTRICAL	COLD ELECTRICAL	NEMA PLUG	BTU LOAD	SYSTEM CAPACITY	SHIP WEIGHT	LIST PRICE
SHELLESTEEL FLEXIWELLS								
SFW-1-NU	1	1500W - 208-240V-6.3A	120V - 2.9A - 1/5 H.P	14-20P	310	625	300	\$24,046
SFW-2-NU	2	(2) 1500W - 208-240V-12.5A	120V - 2.9A - 1/5 H.P	14-20P	620	906	380	\$25,830
SFW-3-NU	3	(3) 1500W - 208-240V-18.8A	120V - 2.9A - 1/5 H.P	14-30P	929	1066	460	\$31,057
SFW-4-NU	4	(4) 1500W - 208-240V-25A	120V - 5.7A - (2) 1/5HP	14-50P	1239	1812	550	\$36,337
SFW-5-NU	5	(5) 1500W - 208-240V-31.3A	120V - 5.7A - (2) 1/5HP	14-50P	1549	1972	660	\$40,364
SFW-6-NU	6	(6) 1500W - 208-240V-37.5A	120V - 5.7A - (2) 1/5HP	14-50P	1859	2132	720	\$45,443

SHELLESTEEL FLEXITOP SERVING COUNTERS

- Hot & Frost Top operated independently hot or cold and vice versa
- Designed to run hot or cold
- Hot - 100°F - 180°F
- Cold - 0° - 20°F
- Aluminum surface top
- Sized to hold 18" x 26" sheet pans

- 1/2" Drain
- Stainless steel top and exterior body
- Cord and plug supplied standard
- Environmentally friendly R290 GreenGenius refrigerant
- 2 year parts and labor warranty standard

MODEL	18" X 26" PAN CAPACITY	V/HZ/PH	AMPS	H.P	NEMA PLUG	BTU LOAD	SYSTEM CAPACITY	LIST PRICE
SHELLESTEEL FLEXITOP								
SFTS-36-NUP	1	115/60/1	2.4	1/5	5-15P	440	616	\$11,072
SFTS-50-NUP	2	115/60/1	4	1/5	5-15P	644	735	\$12,217
SFTS-60-NUP	2	115/60/1	4	1/5	5-15P	802	790	\$13,100
SFTS-64-NUP	3	115/60/1	6	1/5	5-15P	836	790	\$13,383
SFTS2-36-NUP	2	115/60/1	4	1/5	5-15P	594	773	\$16,411
SFTS2-50-NUP	4	115/60/1	8	1/4	5-15P	882	887	\$18,036
SFTS2-60-NUP	4	115/60/1	8	1/4	5-15P	1412	1311	\$19,399
SFTS2-64-NUP	6	115/60/1	12	1/4	5-15P	1471	1324	\$18,844

SCFT-NUP SERIES — FROST TOP SERVING COUNTERS

MODEL	DESCRIPTION	L	D	H	AMP	H.P.	VOLTS	NEMA PLUG	SHIP WEIGHT	FREIGHT CLASS	LIST PRICE
SHELLESTEEL FROST TOP SERVING COUNTERS WITHOUT UNDERSTORAGE											
SCFT-36-NUP	frost top	36"	30"	36"	2.4	1/5	115	5-15P	380	100	\$8,875
SCFT-50-NUP	frost top	50"	30"	36"	2.4	1/5	115	5-15P	455	100	\$10,584
SCFT-60-NUP	frost top	60"	30"	36"	3.7	1/4	115	5-15P	540	100	\$12,431
SCFT-74-NUP	frost top	74"	30"	36"	3.7	1/4	115	5-15P	610	110	\$13,294
SCFT-96-NUP	frost top	96"	30"	36"	4.8	1/3	115	5-15P	680	110	\$16,412

Shelleyglas accessories and modifications can be found on pages 69-73.

SCI SERIES — ICE PAN SERVING COUNTERS



SCI-60-NU
SHOWN WITH THE
FOLLOWING OPTIONS:
C: 10" wide three-bar fold
down tray slide
H: Two tier display with glass
shelves and sneeze guards

- 14-gauge stainless steel top
- 18-gauge stainless steel exterior body
- 14-gauge galvanized bottom
- Best for use where electricity is not available
- Insulated ice pan is 7" deep and is standard with the following: perforated false bottom, drain with valve
- SCI units are standard with dry hinged door storage compartment, while SCI-NU units have enclosed bases with no under storage
- Meets NSF requirements
- All exterior panels reinforced with overlapping corners, welded in place
- All body cutouts reinforced with 14-gauge channel supports
- All units are standard on 5" polyurethane swivel locking casters for easy cleaning
- Easy to use stainless steel interlock system is standard on base and tray slides
- Easily modified with a complete array of standard accessories
- Choose from an almost unlimited selection of laminate colors and textures to add color to any room
- Add eye catching decal packages or bright canopies to create a distinctive look!
- One year parts and labor standard warranty. Additional warranties available

MODEL	ICE PAN SIZE	L	D	H	SHIP WEIGHT	FREIGHT CLASS	LIST PRICE
-------	--------------	---	---	---	-------------	---------------	------------

SHELLESTEEL ICE PAN SERVING COUNTERS WITH DRY STORAGE

SCI-36	26" x 21.62"	36"	30"	36"	240	110	\$8,302
SCI-50	39" x 21.62"	50"	30"	36"	285	110	\$8,995
SCI-60	52" x 21.62"	60"	30"	36"	320	110	\$10,667
SCI-74	65" x 21.62"	74"	30"	36"	360	110	\$11,696
SCI-96	78" x 21.62"	96"	30"	36"	400	110	\$14,035

SHELLESTEEL ICE PAN SERVING COUNTERS WITHOUT DRY STORAGE

SCI-36-NU	26" x 21.62"	36"	30"	36"	200	110	\$5,720
SCI-50-NU	39" x 21.62"	50"	30"	36"	245	110	\$6,716
SCI-60-NU	52" x 21.62"	60"	30"	36"	280	110	\$7,880
SCI-74-NU	65" x 21.62"	74"	30"	36"	330	110	\$9,228
SCI-96-NU	78" x 21.62"	96"	30"	36"	380	110	\$11,486

Shelleyglas accessories and modifications can be found on pages 69-73.

SCU SERIES - BEVERAGE COUNTERS



SCU-50-NU
SHOWN WITH THE
Shown with optional legs

- 14-gauge stainless steel top
- 18-gauge stainless steel exterior body
- 14-gauge galvanized bottom
- Reinforced top includes a stainless steel drain trough with removable stainless steel anti-splash drip gate. (Trough is standard on customer side, available on operator side if specified.)
- Drain trough has a 1" drain plumbed to a drain valve located at the bottom of the unit
- SCU models are standard with dry hinged door storage compartment
- Meets NSF requirements
- All exterior panels reinforced with overlapping corners, welded in place
- All body cutouts reinforced with 14-gauge channel supports
- All units are standard on 5" polyurethane swivel locking casters for easy cleaning
- Easy to use stainless steel interlock system is standard on base and tray slides
- Easily modified with a complete array of standard accessories
- Choose from an almost unlimited selection of laminate colors and textures to add color to any room
- Add eye catching decal packages or bright canopies to create a distinctive look!
- One year parts and labor standard warranty. Additional warranties available

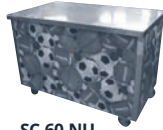
MODEL	DESCRIPTION	L	D	H	AMP	VOLTS	NEMA PLUG	SHIP WEIGHT	FREIGHT CLASS	LIST PRICE
SHELLESTEEL BEVERAGE COUNTERS WITH DRY UNDERSTORAGE										
SCU-36	24" urn trough	36"	30"	36"	200	125	4,665	180	100	\$6,709
SCU-50	36" urn trough	50"	30"	36"	230	125	5,344	210	100	\$7,685
SCU-60	48" urn trough	60"	30"	36"	270	125	6,423	270	100	\$9,238
SCU-74	60" urn trough	74"	30"	36"	300	125	7,298	210	100	\$10,495
SCU-96	82" urn trough	96"	30"	36"	340	125	8,838	270	100	\$12,710
SHELLESTEEL BEVERAGE COUNTERS WITHOUT DRY UNDERSTORAGE										
SCU-36-NU	24" urn trough	36"	30"	36"	170	125	2,922	180	100	\$3,501
SCU-50-NU	36" urn trough	50"	30"	36"	190	125	3,691	210	100	\$5,308
SCU-60-NU	48" urn trough	60"	30"	36"	230	125	4,567	270	100	\$6,568
SCU-74-NU	60" urn trough	74"	30"	36"	260	125	5,437	210	100	\$7,819
SCU-96-NU	82" urn trough	96"	30"	36"	300	125	6,921	270	100	\$9,953

Shelleyglas accessories and modifications can be found on pages 69-73.

SC SERIES — ALL PURPOSE COUNTERS



SC-50-NU
SHOWN WITH THE FOLLOWING OPTIONS:
A: 12" stainless steel V-fold down tray slide
G: Glass front counter protector
P: Open understorage with shelf



SC-60-NU



- 14-gauge stainless steel top
- 18-gauge stainless steel exterior body
- 14-gauge galvanized bottom
- Flat 14-gauge stainless steel top
- SC models are standard with dry hinged door storage compartment
- Meets NSF requirements
- All exterior panels reinforced with overlapping corners, welded in place
- All body cutouts reinforced with 14-gauge channel supports
- All units are standard on 5" polyurethane swivel locking casters for easy cleaning
- Easy to use stainless steel interlock system is standard on base and tray slides

- Easily modified with a complete array of standard accessories
- Choose from an almost unlimited selection of laminate colors and textures to add color to any room
- Add eye catching decal packages or bright canopies to create a distinctive look!
- One year parts and labor standard warranty. Additional warranties available

MODEL	DESCRIPTION	L	D	H	SHIP WEIGHT	FREIGHT CLASS	LIST PRICE
-------	-------------	---	---	---	-------------	---------------	------------

SHELLESTEEL ALL PURPOSE COUNTERS WITH DRY UNDERSTORAGE

SC-28	dry storage	28"	30"	36"	165	125	\$4,954
SC-36	dry storage	36"	30"	36"	185	125	\$6,092
SC-50	dry storage	50"	30"	36"	205	125	\$7,025
SC-60	dry storage	60"	30"	36"	240	125	\$8,216
SC-74	dry storage	74"	30"	36"	270	125	\$9,224
SC-96	dry storage	96"	30"	36"	310	125	\$11,230

SHELLESTEEL ALL PURPOSE COUNTERS WITHOUT DRY UNDERSTORAGE

SC-28-NU	enclosed base	28"	30"	36"	120	125	\$2,827
SC-36-NU	enclosed base	36"	30"	36"	160	125	\$3,128
SC-50-NU	enclosed base	50"	30"	36"	180	125	\$4,288
SC-60-NU	enclosed base	60"	30"	36"	210	125	\$5,106
SC-74-NU	enclosed base	74"	30"	36"	240	125	\$5,922
SC-96-NU	enclosed base	96"	30"	36"	280	125	\$7,790

Shelleyglas accessories and modifications can be found on pages 69-73.

SCS SERIES — CASHIER'S COUNTER | SCTRI SERIES — TRIANGLE CORNER COUNTER | SCTS SERIES — TRAY STANDS



SCS-30
SHOWN WITH THE FOLLOWING OPTIONS:
A: 12" stainless steel V-fold down tray slide
Q: Outlet with breaker

- 18-gauge stainless steel exterior body
- 14-gauge galvanized bottom
- 14-gauge stainless steel top
- Meets NSF requirements
- All exterior panels reinforced with overlapping corners, welded in place
- All body cutouts reinforced with 14-gauge channel supports
- All units are standard on 5" polyurethane swivel locking casters for easy cleaning
- Easy to use stainless steel interlock system is standard on base and tray slides
- Easily modified with a complete array of standard accessories
- Choose from an almost unlimited selection of laminate colors and textures to add color to any room
- One year parts and labor standard warranty. Additional warranties available

SCS SERIES ONLY

- A 3" grommet hole is located at the rear of the top to allow cord access for cash registers
- Stainless steel locking cash drawer standard
- Stainless steel under shelf can serve as foot rest or storage

SCTS SERIES ONLY

- Silverware cutouts and cylinders are optional



SCTS-28
SHOWN WITH THE FOLLOWING OPTIONS:
SW: silverware cutouts with stainless steel silverware holder

MODEL	DESCRIPTION	L	D	H	AMP	VOLTS	NEMA PLUG	SHIP WEIGHT	FREIGHT CLASS	LIST PRICE
SHELLEYSTEEL CASHIER'S COUNTERS										
SCS-30	Cashier's Counter	30"	30"	36"	N/A	N/A	N/A	180	100	\$6,498
SCS-36	Cashier's Counter	30"	36"	36"	N/A	N/A	N/A	210	100	\$7,134
SCS-50	Cashier's Counter	30"	50"	36"	N/A	N/A	N/A	270	100	\$7,618
SHELLEYSTEEL TRIANGLE CORNER UNIT										
SC-TRI	Corner Unit, Enclosed Base	40"	30"	36"	N/A	N/A	N/A	160	100	\$6,400
SC-TRIOS	Corner Unit, Open Shelf	40"	30"	36"	N/A	N/A	N/A	160	100	\$6,797
SHELLEYSTEEL TRAY STANDS										
SCTS-28	Tray Stand	30"	28"	36"	N/A	N/A	N/A	150	125	\$5,058
SCTS-36	Tray Stand	30"	36"	36"	N/A	N/A	N/A	192	125	\$5,117

Shelleyglas accessories and modifications can be found on pages 69-73.

KH SERIES — MOBILE HEATED SERVING COUNTERS



KH-4-NU
SHOWN WITH THE FOLLOWING OPTIONS:
G: Glass front counter protector
P: Open shelf understorage



KH-5-NU
SHOWN WITH THE FOLLOWING OPTIONS:
A: 12" stainless steel V-fold down tray slide
KS: Single service sneeze guard
V: 6" Adjustable bullet feet



Add eye catching decal packages or bright canopies to create a distinctive look!

- One piece, molded fiberglass pylon (base), fully rounded corners, permanent color
- All corners and center sides reinforced with galvanized bracing, laminated into the fiberglass
- Full NSF and UL Certification
- Fire Code rating on fiberglass, laminate, canopy materials
- 14-gauge tops
- All units are standard on 5" polyurethane swivel locking casters for easy cleaning
- Wet and dry operation
- Caster mounting plates laminated into base
- Easy to use stainless steel interlock system is standard on base and tray slides
- Enclosed bases for vermin control
- A maximum 10' long cord and plug are supplied standard
- KH units have heated under storage compartment, provided with removable pan slides. KH-NU units have enclosed bases with no under storage
- Electrical connections are 60 hertz, single phase. Three-phase design is available for an additional charge. Electrical accessories may change listed amperage and plug

- Top has two to six electrically heated, recessed die stamped stainless steel hot food warmers.
- Each warmer accommodates one 12" x 20" x 6" pan
- Hot well(s) with drain(s) manifolded standard to common gate valve
- All body cutouts reinforced with 14-gauge channel supports
- Easily modified with a complete array of standard accessories
- Counter heights available from 28" to 36" in 2" increments
- Choose from 25 standard fiberglass colors
- Add eye catching decal packages or bright canopies to create a distinctive look!
- Features new easy access panel for quick replacement of heating element.
- Contact Delfield for a Shelleyglas color chart or visit www.delfield.com
- One year parts and labor standard warranty. Additional warranties available

MODEL	DESCRIPTION	L	D	H	AMP	VOLTS	MAX VOLTS	NEMA PLUG	SHIP WEIGHT	FREIGHT CLASS	LIST PRICE
-------	-------------	---	---	---	-----	-------	-----------	-----------	-------------	---------------	------------

SHELLEYGLAS HEATED SERVING COUNTERS WITH HEATED UNDERSTORAGE

KH-2	2 food wells	36"	30"	36"	15	120/208-230	2900/3300	14-20P	380	100	\$16,798
KH-3	3 food wells	50"	30"	36"	20	120/208-230	3900/4500	14-30P	460	100	\$19,210
KH-4	4 food wells	60"	30"	36"	26	120/208-230	4900/5700	14-50P	550	100	\$20,886
KH-5	5 food wells	74"	30"	36"	31	120/208-230	5900/6900	14-50P	660	100	\$23,076
KH-6	6 food wells	96"	30"	36"	37	120/208-230	6900/7900	14-50P	720	100	\$25,934

SHELLEYGLAS HEATED SERVING COUNTERS WITHOUT HEATED UNDERSTORAGE

KH-2-NU	2 food wells	36"	30"	36"	11	120/208-230	2000/2400	14-20P	225	100	\$12,502
KH-3-NU	3 food wells	50"	30"	36"	16	120/208-230	3000/3600	14-20P	275	100	\$14,672
KH-4-NU	4 food wells	60"	30"	36"	22	120/208-230	4000/4800	14-30P	330	100	\$15,919
KH-5-NU	5 food wells	74"	30"	36"	28	120/208-230	5000/6000	14-50P	420	100	\$18,079
KH-6-NU	6 food wells	96"	30"	36"	33	120/208-230	6000/7000	14-50P	510	100	\$20,890

SHELLEYGLAS INDUCTION

- Induction hot, control and generator provided
- One control per every (2) hots standard
- Up to (4) hobs connected to one generator

MODEL	# OF HOB(S)	ELECTRICAL	WATTS	AMPS	NEMA PLUG	LIST PRICE
KID1-30-NU	1	230V, 60Hz, 1Ph	450	2	14-20P	\$14,389
KID2-36-NU	2	230V, 60Hz, 1Ph	900	3.9	14-20P	\$17,983
KID3-60-NU	3	230V, 60Hz, 1Ph	1350	5.9	14-20P	\$22,440
KID4-74-NU	4	230V, 60Hz, 1Ph	1800	7.8	14-20P	\$28,614

KCSC-BP SERIES — MOBILE REFRIGERATED COLD PAN SERVING COUNTERS

KCSC-EFP SERIES — LIQUITEC REFRIGERATED COLD PAN



KH-4-NU
SHOWN WITH THE FOLLOWING OPTIONS:
HD: Double-service two-tier display
A: 12" stainless steel V-fold down tray slide
V: 6" adjustable bullet feet



Add eye catching decal packages or bright canopies to create a distinctive look!



Patented LiquiTec® Technology brings food and pans completely flush!



- One piece, molded fiberglass pylon (base), fully rounded corners, permanent color
- All corners and center sides reinforced with galvanized bracing, laminated into the fiberglass
- Full NSF and UL Certification
- Fire Code rating on fiberglass, laminate, canopy materials
- 14-gauge tops
- All units are standard on 5" polyurethane swivel locking casters for easy cleaning
- Caster mounting plates laminated into base
- Easy to use stainless steel interlock system is standard on base and tray slides
- Enclosed bases for vermin control
- A maximum 10' long cord and plug are supplied standard
- Uses environmentally friendly R290 refrigerant
- Easy to use stainless steel interlock system is standard on base and tray slides
- Easily modified with a complete array of standard accessories
- Electrical connections are 60 hertz, single phase. Electrical accessories may change listed amperage and plug
- Counter heights available from 28" to 36" in 2" increments
- Unit has on/off switch mounted on the exterior
- Add eye catching decal packages or bright canopies to create a distinctive look!
- Contact Delfield for a Shelleyglas color chart or visit www.delfield.com

- One year parts and labor standard warranty. Additional warranties available
- All body cutouts reinforced with 14-gauge channel supports

KCSC-BP SERIES ONLY

- KCSC-B Series counters are standard with 7" deep refrigerated cold pan. Cold pans are fully insulated with foamed in place polyurethane insulation
- Pans recessed 2" from top edge of counter
- Cold pans are standard with drain with valve
- Adapter bars will be furnished at no additional charge if requested on original order only.
- Pans are supplied by others
- Optional open shelf and dry door inserts can be added to all models and lengths. Refrigerated insert can be added to 60", 74", or 96" long units

KCSC-EFP SERIES ONLY

- The LiquiTec cold pan has two – six die stamped openings with depressed edges in each well, holding one 12" x 20" pan (pans supplied by others)
- Eutectic fluid completely surrounds each cold pan providing the maximum-- five sided cooling
- All KCSC-EF models meet NSF 7 with pans completely flush with counter
- Cold pan is fully insulated with foamed in place polyurethane insulation

MODEL	COLD PAN SIZE	L	D	H	AMP	H.P	VOLTS	NEMA PLUG	SHIP WEIGHT	FREIGHT CLASS	LIST PRICE
-------	---------------	---	---	---	-----	-----	-------	-----------	-------------	---------------	------------

SHELLEYGLAS REFRIGERATED COLD PAN SERVING COUNTERS

KCSC-36-BP	26" x 21.62"	36"	30"	36"	2.4	1/5	115	5-15P	350	100	\$12,190
KCSC-50-BP	39" x 21.62"	50"	30"	36"	2.4	1/5	115	5-15P	425	100	\$13,213
KCSC-60-BP	52" x 21.62"	60"	30"	36"	3.7	1/4	115	5-15P	500	100	\$13,760
KCSC-74-BP	65" x 21.62"	74"	30"	36"	3.7	1/4	115	5-15P	575	110	\$16,853
KCSC-96-BP	78" x 21.62"	96"	30"	36"	4.8	1/3	115	5-15P	650	110	\$18,115

SHELLEYGLAS WITH PATENTED LIQUITEC® TECHNOLOGY

KCSC-36-EFP	2 pan cap	36"	30"	36"	2.4	1/5	115	5-15P	380	100	\$17,810
KCSC-50-EFP	3 pan cap	50"	30"	36"	2.4	1/5	115	5-15P	455	100	\$18,542
KCSC-60-EFP	4 pan cap	60"	30"	36"	3.7	1/4	115	5-15P	530	100	\$19,141
KCSC-74-EFP	5 pan cap	74"	30"	36"	3.7	1/4	115	5-15P	615	100	\$20,932
KCSC-96-EFP	6 pan cap	96"	30"	36"	4.8	1/3	115	5-15P	680	100	\$23,972

Shelleyglas accessories and modifications can be found on pages 69-73.

KHCR-BP SERIES — HOT/COLD COMBINATION COUNTERS
KHC-NU SERIES — ICE COOLED HOT/COLD COMBINATION COUNTERS



KHCR-50BP
 SHOWN WITH THE FOLLOWING OPTIONS:
 A: 12" stainless steel V fold down tray slide
 V: 6" Adjustable bullet feet



KHCR2-96-BP
 SHOWN WITH THE FOLLOWING OPTIONS:
 KD: Double service flip up sneeze guard



KHC-60-NU
 SHOWN WITH THE FOLLOWING OPTIONS:
 A: 12" stainless steel V-fold down tray slide
 HD: Double service two tier display
 V: 6" Adjustable bullet feet

- Save space by having both hot and cold in one convenient location
- One piece, molded fiberglass pylon (base), fully rounded corners, permanent color
- All corners and center sides reinforced with galvanized bracing, laminated into the fiberglass
- Full NSF and UL Certification
- Fire Code rating on fiberglass, laminate, canopy materials
- 14-gauge tops
- All units are standard on 5" polyurethane swivel locking casters for easy cleaning
- Caster mounting plates laminated into base
- Easy to use stainless steel interlock system is standard on base and tray slides
- A maximum 10' long cord and plug are supplied standard
- All KHCR-B and KHC models are standard with enclosed bases
- Top has one to four electrically heated, recessed die-stamped stainless steel hot food warmers. Each warmer accommodates a 12" x 20" x 6" pan (pans supplied by others)
- Wet and dry operation
- Electrical connections are 60 hertz, single phase. Three-phase design is available for an additional charge. Electrical accessories may change listed amperage and plug

- All body cutouts reinforced with 14-gauge channel supports
- Easily modified with a complete array of standard accessories
- Counter heights available from 28" to 36" in 2" increments
- Add eye catching decal packages or bright canopies to create a distinctive look!
- Contact Delfield for a Shelleyglas color chart or visit www.delfield.com
- One year parts and labor standard warranty. Additional warranties available

KHCR-BP ONLY

- The refrigerated cold pan is 7" deep constructed of stainless steel. Cold pan is equipped with a 1" drain with valve. Hot well(s) equipped with a drain with gate valve
- Meets NSF requirements with pans recessed 3"
- Environmentally friendly R290 refrigerant

KHC-NU ONLY

- Insulated ice pan is 7" deep and constructed of 22-gauge stainless steel. Perforated false bottom, and drain with valve is standard
- Hot well(s) with drain(s) manifolded standard to common gate valve

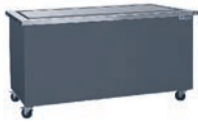
MODEL	HOT WELLS	COLD PAN SIZE	L	D	H	AMP	H.P.	VOLTS	NEMA PLUG	SHIP WEIGHT	FREIGHT CLASS	LIST PRICE
SHELLEYGLAS SELF-CONTAINED HOT AND COLD COMBINATION COUNTERS												
KHCR-50-BP	1	26" X 21.62"	50"	30"	36"	11.4	1/5	120	5-20P	475	100	\$14,659
KHCR-60-BP	1	26" X 21.62"	60"	30"	36"	11.4	1/5	120	5-20P	575	100	\$15,616
KHCR-74-BP	1	39" X 21.62"	74"	30"	36"	11.4	1/5	120	5-20P	688	100	\$17,950
KH2CR-74-BP	2	26" X 21.62"	74"	30"	36"	13.4	1/5	120/208-230	14-30P	690	100	\$19,584
KHCR-96-BP	1	65" X 21.62"	96"	30"	36"	12.7	1/4	120	5-20P	730	100	\$22,046
KH2CR-96-BP	2	52" X 21.62"	96"	30"	36"	14.7	1/4	120/208-230	14-30P	740	100	\$23,969
KH3CR-96-BP	3	39" X 21.62"	96"	30"	36"	18.4	1/5	120/208-230	14-30P	750	100	\$26,387
KH4CR-96-BP	4	26" X 21.62"	96"	30"	36"	24.4	1/5	120/208-230	14-50P	760	100	\$27,814
SHELLEYGLAS ICE-COOLED HOT AND COLD COMBINATION COUNTERS												
KHC-50-NU	1	26" X 21.62"	50"	30"	36"	—	9	120	5-15P	300	100	\$8,345
KHC-60-NU	1	26" X 21.62"	60"	30"	36"	—	9	120	5-15P	350	100	\$9,545
KHC-74-NU	1	39" X 21.62"	74"	30"	36"	—	9	120	5-15P	400	100	\$11,731
KHC-96-NU	1	65" X 21.62"	96"	30"	36"	—	9	120	5-15P	425	100	\$15,935
KH2C-96-NU	2	52" X 21.62"	96"	30"	36"	—	11	120/208-230	14-20P	430	100	\$17,888
KH3C-96-NU	3	39" X 21.62"	96"	30"	36"	—	16	120/208-230	14-20P	450	100	\$19,790
KH4C-96-NU	4	26" X 21.62"	96"	30"	36"	—	22	120/208-230	14-30P	460	100	\$22,024

Shelleyglas accessories and modifications can be found on pages 69-73.

SHELLEYGLAS FLEXIWELLS

- NSF4 and NSF7 certified for hot and or cold operations

- Wells operate independently for hot or cold operation and vice versa



KCFT-60-NUP

- One piece, molded fiberglass pylon (base), fully rounded corners, permanent color
- All corners and center sides reinforced with galvanized bracing, laminated into the fiberglass
- Full NSF and UL Certification
- Fire Code rating on fiberglass, laminate, canopy materials
- 14-gauge tops
- All units are standard on 5" polyurethane swivel locking casters for easy cleaning
- Caster mounting plates laminated into base
- Easy to use stainless steel interlock system is standard on base and tray slides
- Enclosed bases for vermin control
- A maximum 10' long cord and plug are supplied standard
- Frost top is 18-gauge stainless steel, one piece construction; perimeter drain with valve located at bottom of unit standard

- 18"x 26" sheet pan can rest on frost top
- On/off switch located on exterior of unit
- Electrical connections are 60 hertz, single phase.
- Electrical accessories may change listed amperage and plug
- All body cutouts reinforced with 14-gauge channel supports
- Easily modified with a complete array of standard accessories
- Counter heights available from 28" to 36"
- Add eye catching decal packages or bright canopies to create a distinctive look!
- Environmentally friendly R290 refrigerant
- Contact Delfield for a Shelleyglas color chart or visit www.delfield.com
- One year parts and labor standard warranty. Additional warranties available

MODEL	12" X 20" PAN CAPACITY	HOT ELECTRICAL	COLD ELECTRICAL	NEMA PLUG	BTU LOAD	SYSTEM CAPACITY	SHIP WEIGHT	LIST PRICE
SHELLEYGLAS FLEXIWELLS								
KFW-1-NU	1	1500W - 208-240V-6.3A	120V - 2.9A - 1/5 H.P	14-20P	310	625	300	\$25,489
KFW-2-NU	2	(2) 15000 - 208-240V-12.5A	120V - 2.9A - 1/5 H.P	14-20P	620	906	380	\$27,380
KFW-3-NU	3	(3) 1500W - 208-240V-18.8A	120V - 2.9A - 1/5 H.P	14-30P	929	1066	460	\$32,918
KFW-4-NU	4	(4) 1500W - 208-240V-25A	120V - 5.7A - (2) 1/5HP	14-50P	1239	1812	550	\$38,518
KFW-5-NU	5	(5) 1500W - 208-240V-31.3A	120V - 5.7A - (2) 1/5HP	14-50P	1549	1972	660	\$42,785
KFW-6-NU	6	(6) 1500W - 208-240V-37.5A	120V - 5.7A - (2) 1/5HP	14-50P	1859	2132	720	\$48,169

SHELLEYGLAS FLEXITOP SERVING COUNTERS

- Hot & Frost Top operated independently hot or cold and vice versa

- Designed to run hot or cold

- Hot - 100°F - 180°F

- Cold - 0° - 20°F

- Aluminum surface top

- Sized to hold 18' x 26" sheet pans

- ½" Drain

- Stainless steel top and exterior body

- Cord and plug supplied standard

- Environmentally friendly R290 GreenGenius refrigerant

- 2 year parts and labor warranty standard

MODEL	18" X 26" PAN CAPACITY	V/HZ/PH	AMPS	H.P	NEMA PLUG	BTU LOAD	SYSTEM CAPACITY	LIST PRICE
SHELLEYGLAS FLEXITOP								
KFTS-36-NUP	1	115/60/1	2.4	1/5	5-15P	440	616	\$11,164
KFTS-50-NUP	2	115/60/1	4	1/5	5-15P	644	735	\$12,439
KFTS-60-NUP	2	115/60/1	4	1/5	5-15P	802	790	\$13,254
KFTS-64-NUP	3	115/60/1	6	1/5	5-15P	836	790	\$13,537
KFTS2-36-NUP	2	115/60/1	4	1/5	5-15P	594	773	\$16,503
KFTS2-50-NUP	4	115/60/1	8	1/4	5-15P	882	887	\$18,258
KFTS2-60-NUP	4	115/60/1	8	1/4	5-15P	1412	1311	\$19,553
KFTS2-64-NUP	6	115/60/1	12	1/4	5-15P	1471	1324	\$18,998

KCFT-NUP SERIES — FROST TOP SERVING COUNTERS

MODEL	DESCRIPTION	L	D	H	AMP	H.P.	VOLTS	NEMA PLUG	SHIP WEIGHT	FREIGHT CLASS	LIST PRICE
SHELLEYGLAS FROST TOP SERVING COUNTERS WITHOUT UNDERSTORAGE											
KCFT-36-NUP	Frost Top	36"	30"	36"	2.4	1/5	115	5-15P	380	100	\$9,217
KCFT-50-NUP	Frost Top	50"	30"	36"	2.4	1/5	115	5-15P	455	100	\$11,321
KCFT-60-NUP	Frost Top	60"	30"	36"	3.7	1/4	115	5-15P	540	100	\$13,295
KCFT-74-NUP	Frost Top	74"	30"	36"	3.7	1/4	115	5-15P	610	110	\$14,216
KCFT-96-NUP	Frost Top	96"	30"	36"	4.8	1/3	115	5-15P	680	110	\$17,042

Shelleyglas accessories and modifications can be found on pages 69-73.

KCI SERIES — ICE PAN SERVING COUNTERS



KCI-50-NU
SHOWN WITH THE FOLLOWING OPTIONS:
E: Fold down workshelf
H: Two tier display
P: Open understorage with shelf

- Best for use where electricity is not available
- One piece, molded fiberglass pylon (base), fully rounded corners, permanent color
- All corners and center sides reinforced with galvanized bracing, laminated into the fiberglass
- Full NSF and UL Certification
- Fire Code rating on fiberglass, laminate, canopy materials
- 14-gauge tops
- All units are standard on 5" polyurethane swivel locking casters for easy cleaning
- Caster mounting plates laminated into base
- Easy to use stainless steel interlock system is standard on base and tray slides
- Insulated ice pan is 7" deep and is standard with the following: perforated false bottom, drain with valve and casters

- KCI units are standard with dry hinged door storage compartment, while KCI-NU units have enclosed bases with no understorage
- All body cutouts reinforced with 14-gauge channel supports
- Easily modified with a complete array of standard accessories
- Add eye catching decal packages or bright canopies to create a distinctive look!
- Contact Delfield for a Shelleyglas color chart or visit www.delfield.com
- One year parts and labor standard warranty. Additional warranties available

MODEL	ICE PAN SIZE	L	D	H	SHIP WEIGHT	FREIGHT CLASS	LIST PRICE
-------	--------------	---	---	---	-------------	---------------	------------

SHELLEYGLAS ICE PAN SERVING COUNTERS WITH DRY UNDERSTORAGE

KCI-36	26" x 21.62"	36"	30"	36"	240	110	\$8,880
KCI-50	39" x 21.62"	50"	30"	36"	285	110	\$9,907
KCI-60	52" x 21.62"	60"	30"	36"	320	110	\$11,076
KCI-74	65" x 21.62"	74"	30"	36"	360	110	\$12,510
KCI-96	78" x 21.62"	96"	30"	36"	400	110	\$15,011

SHELLEYGLAS ICE PAN SERVING COUNTERS WITHOUT DRY UNDERSTORAGE

KCI-36-NU	26" x 21.62"	36"	30"	36"	200	110	\$6,119
KCI-50-NU	39" x 21.62"	50"	30"	36"	245	110	\$6,971
KCI-60-NU	52" x 21.62"	60"	30"	36"	280	110	\$8,426
KCI-74-NU	65" x 21.62"	74"	30"	36"	330	110	\$9,866
KCI-96-NU	78" x 21.62"	96"	30"	36"	380	110	\$11,924

Shelleyglas accessories and modifications can be found on pages 69-73.

KCU SERIES — BEVERAGE COUNTERS



KCU-36-NU
SHOWN WITH THE
FOLLOWING OPTIONS:
A: 12" stainless steel V
fold down tray slide

- One piece, molded fiberglass pylon (base), fully rounded corners, permanent color
- All corners and center sides reinforced with galvanized bracing, laminated into the fiberglass
- Full NSF and UL Certification
- Fire Code rating on fiberglass, laminate, canopy materials
- 14-gauge tops
- All units are standard on 5" polyurethane swivel locking casters for easy cleaning
- Caster mounting plates laminated into base
- A maximum 10' long cord and plug are supplied standard
- Reinforced top includes a stainless steel drain trough with removable stainless steel anti-splash drip gate. (Trough is standard on customer side, available on operator side if specified.)

- KCU models are standard with dry hinged door storage compartment
- All body cutouts reinforced with 14-gauge channel supports
- Easy to use stainless steel interlock system is standard on base and tray slides
- Easily modified with a complete array of standard accessories
- Add eye catching decal packages or bright canopies to create a distinctive look!
- Contact Delfield for a Shelleyglas color chart or visit www.delfield.com
- One year parts and labor standard warranty. Additional warranties available

MODEL	DESCRIPTION	L	D	H	SHIP WEIGHT	FREIGHT CLASS	LIST PRICE
SHELLEYGLAS BEVERAGE COUNTERS WITH DRY UNDERSTORAGE							
KCU-36	24" Urn Trough	36"	30"	36"	200	125	\$7,175
KCU-50	36" Urn Trough	50"	30"	36"	230	125	\$8,464
KCU-60	48" Urn Trough	60"	30"	36"	270	125	\$9,878
KCU-74	60" Urn Trough	74"	30"	36"	300	125	\$11,226
KCU-96	82" Urn Trough	96"	30"	36"	340	125	\$13,594
SHELLEYGLAS BEVERAGE COUNTERS WITHOUT DRY UNDERSTORAGE							
KCU-36-NU	24" Urn Trough	36"	30"	36"	170	125	\$4,849
KCU-50-NU	36" Urn Trough	50"	30"	36"	190	125	\$5,509
KCU-60-NU	48" Urn Trough	60"	30"	36"	230	125	\$6,821
KCU-74-NU	60" Urn Trough	74"	30"	36"	260	125	\$8,122
KCU-96-NU	82" Urn Trough	96"	30"	36"	300	125	\$10,337

Shelleyglas accessories and modifications can be found on pages 69-73.

KC SERIES — ALL PURPOSE COUNTERS



KC-28-NU
SHOWN WITH THE FOLLOWING OPTIONS:
C: Tubular fold down trayslide
P: Open shelf understorage



KC-50-NU
SHOWN WITH THE FOLLOWING OPTIONS:
A: 12" stainless steel
V-fold down tray slide
G: Glass front counter protector



KC-74-NU
SHOWN WITH OPTIONAL CANOPY, SANDWICH SLIDE AND TRAYSLIDE

- One piece, molded fiberglass pylon (base), fully rounded corners, permanent color
- All corners and center sides reinforced with galvanized bracing, laminated into the fiberglass
- Full NSF and UL Certification
- Fire Code rating on fiberglass, laminate, canopy materials
- All units are standard on 5" polyurethane swivel locking casters for easy cleaning
- Caster mounting plates laminated into base
- Enclosed bases for vermin control
- Flat 14-gauge stainless steel top
- KC models are standard with dry hinged door storage compartment
- Easy to use stainless steel interlock system is standard on base and tray slides
- Easily modified with a complete array of standard accessories
- Add eye catching decal packages or bright canopies to create a distinctive look!
- Contact Delfield for a Shelleyglas color chart or visit www.delfield.com
- One year parts and labor standard warranty. Additional warranties available

MODEL	DESCRIPTION	L	D	H	SHIP WEIGHT	FREIGHT CLASS	LIST PRICE
SHELLEYGLAS ALL PURPOSE COUNTERS WITH DRY UNDERSTORAGE							
KC-28	Dry Storage	28"	30"	36"	165	125	\$5,149
KC-36	Dry Storage	36"	30"	36"	185	125	\$6,516
KC-50	Dry Storage	50"	30"	36"	205	125	\$7,294
KC-60	Dry Storage	60"	30"	36"	240	125	\$8,532
KC-74	Dry Storage	74"	30"	36"	270	125	\$9,863
KC-96	Dry Storage	96"	30"	36"	310	125	\$11,662
SHELLEYGLAS ALL PURPOSE COUNTERS WITHOUT DRY UNDERSTORAGE							
KC-28-NU	Enclosed Base	28"	30"	36"	120	125	\$3,025
KC-36-NU	Enclosed Base	36"	30"	36"	160	125	\$3,252
KC-50-NU	Enclosed Base	50"	30"	36"	180	125	\$4,585
KC-60-NU	Enclosed Base	60"	30"	36"	210	125	\$5,300
KC-74-NU	Enclosed Base	74"	30"	36"	240	125	\$6,523
KC-96-NU	Enclosed Base	96"	30"	36"	280	125	\$8,088

Shelleyglas accessories and modifications can be found on pages 69-73.

KCS SERIES - CASHIER'S COUNTERS | KCTS SERIES - TRAY STANDS



KCS-36
SHOWN WITH THE FOLLOWING OPTION:
(2) E. 10" stainless steel fold-down work shelves (being used as tray slides)

- One piece, molded fiberglass pylon (base), fully rounded corners, permanent color
- All corners and center sides reinforced with galvanized bracing, laminated into the fiberglass
- 14-gauge tops
- Full NSF and UL Certification
- Fire Code rating on fiberglass, laminate, canopy materials
- All units are standard on 5" polyurethane swivel locking casters for easy cleaning
- Caster mounting plates laminated into base
- Easy to use stainless steel interlock system is standard on base and tray slides
- Easily modified with a complete array of standard accessories
- All body cutouts reinforced with 14-gauge channel supports
- Contact Delfield for a Shelleyglas color chart or visit www.delfield.com
- One year parts and labor standard warranty. Additional warranties available

KCS SERIES ONLY

- A 3" grommet hole is located at the rear of the top to allow cord access for cash registers
- Stainless steel locking cash drawer standard
- Stainless steel under shelf can serve as foot rest or storage
- All body cutouts reinforced with 14-gauge channel supports
- Add eye catching decal packages or bright canopies to create a distinctive look!

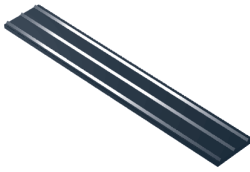
KCTS SERIES ONLY

- All units are standard on 5" diameter swivel casters for easy cleaning and mobility
- Caster mounting plates laminated into base
- Easy to use interlock system is standard on base and tray slides
- 14-gauge stainless steel top and tray step down
- Silverware cutouts and cylinders are optional

MODEL	DESCRIPTION	L	D	H	AMP	H.P.	VOLTS	NEMA PLUG	SHIP WEIGHT	FREIGHT CLASS	LIST PRICE
SHELLEYGLAS CASHIER'S COUNTERS											
KCS-30	cashier's counter	30"	30"	36"	N/A	N/A	N/A	180	100	\$4,980	\$7,162
KCS-36	cashier's counter	30"	36"	36"	N/A	N/A	N/A	210	100	\$5,306	\$7,630
KCS-50	cashier's counter	30"	50"	36"	N/A	N/A	N/A	270	100	\$5,665	\$8,147
SHELLEYGLAS TRAY STANDS											
KCTS-28	tray stand	30"	28"	36"	N/A	N/A	N/A	150	125	\$3,762	\$5,410
KCTS-36	tray stand	30"	36"	36"	N/A	N/A	N/A	192	125	\$3,805	\$5,472

Shelleyglas accessories and modifications can be found on pages <?>-<?>.

CONTACT FACTORY FOR PRICING



B: 12" stainless steel V fold-down tray slide



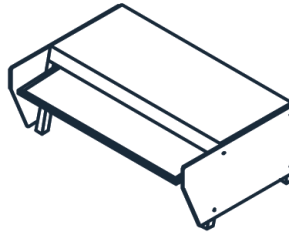
C: 10" three-bar tubular fold-down tray slide



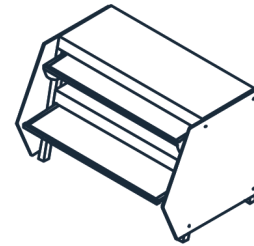
D: 10" composite fold-down cutting board



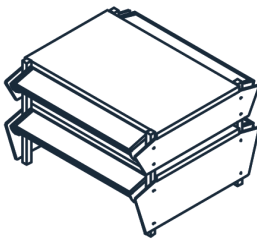
E: 10" stainless steel fold-down work shelf



G: Glass front counter protector



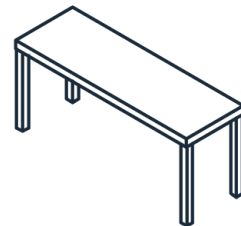
H: Two-tier display w/glass shelves and sneeze guards



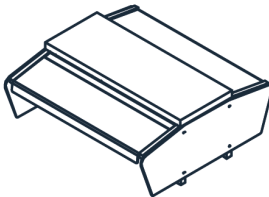
HD: Double service two-tier display with glass shelves and sneeze guards



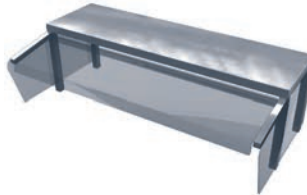
I: Three-tier display w/glass shelves and sneeze guards



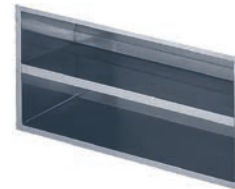
J: 12" stainless steel overshef, 18-gauge



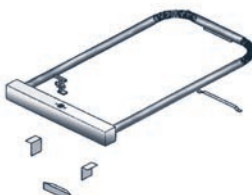
KD: Double service flip-up sneeze guard shown with optional powder coating



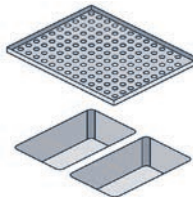
KS: Single service flip-up sneeze guard shown with optional powder coating



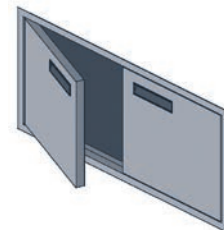
P: Open shelf understorage



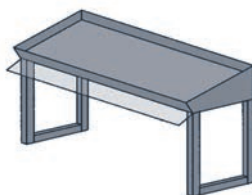
S: Lid locking device



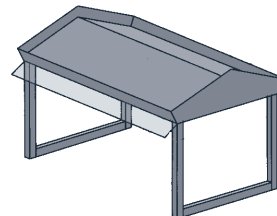
SG16: Pizza pan insert



SG9A. Single mechanical access door to interior
SG9B. Double mechanical access doors to interior — shown



SG22A. Slanted overshef



SG22B. Double slanted overshef

Accessory and modifications on pages 70-73.

SHELLEYS/STEE/LSHELLEYGLAS EQUIPMENT ACCESSORIES

	DESCRIPTION	LIST PRICE -28	LIST PRICE -30	LIST PRICE -36	LIST PRICE -50	LIST PRICE -60	LIST PRICE -62	LIST PRICE -74	LIST PRICE -96
SHELLEYS/STEE/LSHELLEYGLAS BASE ACCESSORIES — ADD LENGTH OF BASE MODEL TO END OF LETTER FOR ACCESSORY									
B	12" stainless steel V style, fold-down tray slide	\$1,265	\$1,337	\$1,337	\$1,606	\$1,931	\$1,990	\$2,378	\$2,724
C	10" three-bar tubular fold-down tray slide	\$863	\$918	\$918	\$1,321	\$1,564	\$1,609	\$1,882	\$2,512
D	10" composite fold-down cutting board	\$1,313	\$1,348	\$1,393	\$1,549	\$1,951	\$2,009	\$2,256	\$3,053
E	10" stainless steel fold-down work shelf	\$1,127	\$1,127	\$1,187	\$1,512	\$1,814	\$1,870	\$2,251	\$2,876
LD	Laminated door	\$542	\$542	\$542	\$542	\$542	\$542	\$542	\$542
P	Open understorage with shelf (KH-NU/SH-NU, KCI/SCI-NU, KCU/SCU-NU & KC/SC only) **Must specify center shelf if required	\$1,956	—	\$2,071	\$2,473	\$2,789	—	\$3,109	\$3,743
PR	Open understorage with shelf (KCSC/SCSC, KHC/SHC & KHCR/SHCR only) **Specify center shelf if required	—	—	\$1,762	\$1,933	\$2,242	—	\$2,542	\$2,808
FF	Extra drain trough for dual service (beverage counters only)	—	—	\$144	\$1447	\$1,626	—	\$1908	\$2,102
X	Decrease depth of cold pan 1.38" - 5"	—	—	N/C	N/C	N/C	—	N/C	N/C
Y	Increase depth of cold pan 7" - 12"	—	—	\$1,331	\$1,331	\$1,331	—	\$1,331	\$1,331
F	Line-up interlock device (supplied for base)	—	—	—	—	—	—	—	N/C
FD	Fiberglass door panel insert each (KCSC only)	—	—	—	—	—	—	—	\$583
PS	Pan slides (in refrigerated understorage only)	—	—	—	—	—	—	—	\$821
Q	115/15A outlet with 10A breaker* each	—	—	—	—	—	—	—	\$1,180
Q2	Piggyback electrical per unit	—	—	—	—	—	—	—	\$2,264
QQ-2	2 Drains from food wells, plumbed to common valve (ESP 12x20 wells)	—	—	—	—	—	\$1,416	—	—
QQ-3	3 Drains from food wells, plumbed to common valve (ESP 12x20 wells)	—	—	—	—	—	\$1,952	—	—
QQ-4	4 Drains from food wells, plumbed to common valve (ESP 12x20 wells)	—	—	—	—	—	\$2,418	—	—
QQ-5	5 Drains from food wells, plumbed to common valve (ESP 12x20 wells)	—	—	—	—	—	\$2,987	—	—
QQ-6	6 Drains from food wells, plumbed to common valve (ESP 12x20 wells)	—	—	—	—	—	\$4,102	—	—
ST	Stainless steel trim strip each (Shelleysteel only)	—	—	—	—	—	—	—	\$412
SW-6	(6) Silverware cutouts w/plastic bins (KCS/SCS & KCTS/SCTS only)	—	—	—	—	—	\$1,367	—	—
SW-8	(8) Silverware cutouts w/plastic bins (KCS/SCS & KCTS/SCTS only)	—	—	—	—	—	\$1,632	—	—
SW8-P1	(8) Silverware cutouts w/ plastic bins and (1) 1/3 x 6" deep pan (KCS/SCS & KCTS/SCTS only)	—	—	—	\$2,254	—	—	—	—
SW-10	(10) Silverware cutouts w/plastic bins (KCS/SCS & KCTS/SCTS only)	—	—	—	\$1,882	—	—	—	—
U	14" x 30" stainless steel end drop shelf each	—	—	—	—	—	—	—	\$1,302
UU	Molded fiberglass trim strip each (Shelleyglas only)	—	—	—	—	—	—	—	\$772
V	Adjustable stainless steel bullet feet (supplied for base)	—	—	—	—	—	—	—	N/C
W	Three phase electrical system (heated counters only)	—	—	—	—	—	—	—	\$1,328
	Laminate exterior base finish for standard Laminate choices. High end laminates special rates apply. For questions on what choices qualify as a standard consult with factory (Shelleysteel only)	—	—	N/C	—	—	—	—	—
SHELLEYS/STEE/LSHELLEYGLAS OVERSTRUCTURE ACCESSORIES — ADD LENGTH OF BASE MODEL TO END OF LETTER FOR ACCESSORY									
G	Single service glass front counter protector	\$2,036	—	\$2,182	\$2,508	\$2,994	—	\$3,605	\$4,132
H	Two-tier single service display w/glass shelves & sneeze guard	\$2,957	—	\$3,335	\$4,487	\$5,342	—	\$6,528	\$7,291
HD	Double service two-tier display with sneeze guard	\$4,636	—	\$4,198	\$5,274	\$6,566	—	\$7,830	\$9,410
I	Three-tier single service display w/glass shelves & sneeze guard	\$5,614	—	\$6,190	\$7,469	\$7,944	—	\$9,422	\$11,682
J	12" wide stainless steel overshef, single tier	\$761	—	\$840	\$1,218	\$1,337	—	\$1,850	\$2,400
J2	12" wide stainless steel overshef, two tier	\$1,466	—	\$1,684	\$2,519	\$2,654	—	\$3,703	\$4,663
KD	Double service flip-up sneeze guard	\$1,801	—	\$2,383	\$2,719	\$3,272	—	\$4,051	\$4,535
KS	Single service flip-up sneeze guard	\$1,302	—	\$1,664	\$2,030	\$2,378	—	\$2,956	\$3,146
L	Fluorescent light fixture*	\$887	—	\$943	\$1,076	\$1,351	—	\$1,602	\$1,891
LED	LED light fixture*	\$970	—	\$1,255	\$1,750	\$1,750	—	\$2,622	\$3,361
LI	Incandescent light fixture*	\$820	—	\$820	\$938	\$1,177	—	\$1,418	\$1,645
M	Radiant heat lamp w/on-off switch (fits G, J, KS, KD)*	\$1,724	—	\$1,828	\$2,035	\$2,273	—	\$2,718	\$3,685

* Inclusion of these options will alter the electrical specifications of unit. | **For Flexishield Food Shield options see page 64

SHELLEYSTEEL/SHELLEYGLAS EQUIPMENT ACCESSORIES

SPECIAL MODIFICATIONS (AVAILABLE ON ALL EQUIPMENT EXCEPT WHERE NOTED)

ACCESSORY	DESCRIPTION	LIST PRICE
SG1	BACKSPLASH	
	A. 2" x 4" backsplash return on end	\$690
	B. 2" x 4" high backsplash (per foot; 3' minimum)	\$737
SG3	DECK MOUNTED OUTLETS	\$1,565
SG5	DRY STORAGE COMPARTMENTS	
	A. Single door	\$2,956
	B. Double door	\$4,021
	C. Sliding door on base (36" & 50")	\$2,058
	D. Sliding door on base (74" & 96")	\$3,725
	E. Intermediate Shelf, Adjustable (60" max shelf length)	\$1,478
SG6	FAN ASSIST PACKAGE (REFRIGERATED COLD PANS)	\$1,367
SG7	FERRULED HOLES	
	B. 1" diameter (each)	\$109
	C. 2" diameter (each)	\$110
	D. 3" diameter (each)	\$109
SG8	HEATED INTERIOR SECTIONS	
	A. Single door with pan slides 15.62" long	\$3,468
	B. Single door with pan slides 28.62" long	\$6,562
SG9	MECHANICAL ACCESS DOORS TO INTERIOR	
	A. Single door	\$1,752
	B. Double door	\$2,362
	C. Single louver door	\$2,075
	D. Louvered panel	\$659
SG10	HIGHLIGHT FINISH TOP EDGE OF UNIT EACH UNIT	\$1,228
SG11	MODIFY STANDARD HEIGHT MODIFY HEIGHT OF UNIT TO HEIGHT 28", 30", 32", 34" & 36" (ONLY)	N/C
SG12	SHELLEYGLAS CUSTOM LENGTHS	
	36. (28" - 36" base length)	\$3,049
	50. (37" - 50" base length)	\$3,266
	60. (51" - 60" base length)	\$3,352
	74. (61" - 74" base length)	\$3,528
	96. (75" - 96" base length)	\$4,313
	138. (97" - 138" base length)	\$5,053
SG13	TURN DOWN WITH INTERLOCK	\$610
SG14	MODIFY STANDARD TOP DEPTH	
	A-28. 1" to 6"	\$616
	A-36. 1" to 6"	\$616
	A-50. 1" to 6"	\$616
	A-60. 1" to 6"	\$1,019
	A-74. 1" to 6"	\$1,228
	A-96. 1" to 6"	\$1,644
	B-28. 7" to 12"	\$1,026
	B-36. 7" to 12"	\$1,026
	B-50. 7" to 12"	\$1,390
	B-60. 7" to 12"	\$1,735
	B-74. 7" to 12"	\$2,082
	B-96. 7" to 12"	\$2,773
SG15	PAPER CUP DISPENSER SPECIFY CUP MANUFACTURER AND RIM DIAMETER	\$973
SG16	PIZZA PAN INSERT	\$809
SG17	POWDER COATING (PRICE PER LINEAR INCH)	
	A. G Style counter protector	\$16
	B. H Style counter protector	\$32
	C. HD Style counter protector	\$44
	D. I Style counter protector	\$62
	E. KD Style sneeze guard	\$22
	F. KS Style sneeze guard	\$13
G. Shelley canopy	\$30	

SHELLEYSTEEL/SHELLEYGLAS EQUIPMENT ACCESSORIES

SPECIAL MODIFICATIONS (AVAILABLE ON ALL EQUIPMENT EXCEPT WHERE NOTED)

ACCESSORY	DESCRIPTION	LIST PRICE
SG17H	POWDER COAT LOUVER EACH	\$667
SG18	PUSH/PULL HANDLES STAINLESS STEEL	\$659
SG19	HEATED TOPS	
	A. 17.12" x 25.12" recessed 1"	\$3,224
	B. 20.12" x 26.26" recessed 1"	\$3,574
	C. 25.12" x 35.25" recessed 1"	\$6,452
	D. 17.12" x 25.12" flat heated	\$3,224
	E. 20.12" x 26.26" flat heated	\$3,574
	F. 25.12" x 35.25" flat heated	\$6,452
SG20	REFRIGERATED UNDERSTORAGE ONLY FITS IN 60" OR LONGER UNITS, SINGLE DOOR	
	AP. With 1/4 h.p. condensing unit	\$10,178
	BP. Without condensing unit when added to self-contained KCSC or SCSC models	\$7,158
SG21	SOUP WELLS	
	A. Soup Wells 10.5" diameter, with control panel	\$2,160
	B. Soup Wells 8.5" diameter, with control panel	\$1,957
SG22	SLANTED OVERSHELVES	
	A. Single (per foot; 3' minimum)	\$1,519
	B. Double (per foot; 3' minimum)	\$3,767
SG23	TOE PLATES STAINLESS STEEL (3' MINIMUM)	\$457
SG23B	EXTENDED SIDES (3' MINIMUM)	\$475
SG24	TRAY SLIDES 12" WIDE LAMINATED FOLD-DOWN STYLE (PER FOOT; ADD TO TRAY SLIDE PRICE)	\$559
SG24B	TRAY SLIDES EXTEND 12" STAINLESS STEEL V FOLD DOWN TRAY SLIDE (PER INCH, ADD TO TRAY SLIDE PRICE)	\$26
SG24C	TRAY SLIDES EXTEND 10" THREE BAR TUBULAR FOLD DOWN TRAY SLIDE (PER INCH, ADD TO TRAY SLIDE PRICE)	\$22
SG25	CANOPY AND ACCESSORIES	
	A. Dome style	\$77/INCH
	B. Peak style	\$109/INCH
	C. Bus style	\$54/INCH
	D. Stationary frame	\$1,980
	E. Adjustable (tube in tube) frame	\$3,720
	F. 3" letters	\$43/INCH
	G. 2" or 3" stripe on canopy	\$43/INCH
SG26	BUS THEME, INCLUDES, WHEELS, LIGHTS, WINDSHIELD WIPERS, STRIPING, LICENSE PLATE, FENDERS AND DOORS ONLY (DOES NOT INCLUDE CANOPY, TRIM STRIPS, LETTERING OR OVER STRUCTURE).	
	A. Single side only	\$7,908
	B. Dual sided bus	\$10,307
SG27	BOAT THEME, INCLUDES SMOKE STACK WITH SMOKE, BOW PIECE, FLAG, ANCHOR, BELL, AND NAME PLATE (DOES NOT INCLUDE WAVES, TRIM STRIPES OR PORTHOLES).	
	A. Basic package single/dual	\$10,481
	B. Portholes	\$258
	C. Wave kick plates (per linear inch)	\$38
	D. Stationary frame	\$1,377
	E. Adjustable (tube in tube) frame	\$2,587
SG28	TRAIN/CIRCUS TRAIN THEME, INCLUDES SMOKE STACK, ENGINE WHEELS WITH PISTON, COW CATCHER, CAB OVER SHELF, BELL, AND HEADLIGHT (DOES NOT INCLUDE WHEELS FOR FOLLOWING CARS, CIRCUS ANIMALS, CANOPY, LETTERING).	
	A. Single side only	\$14,266
	B. Dual side train engine	\$16,723
	C. Circus animals	\$820
	D. Balloons, set of three in cluster	\$280
	E. Set of two wheels per side for following cars	\$383
SG29	ROCKET THEME, INCLUDES NOSE CONE, GRAPHICS, AND TAIL WING (DOES NOT INCLUDE TRIM STRIPS).	
	A. Single side only	\$10,667
	B. Dual sided rocket	\$12,947
SG30	STANDOFF DECOR PANEL, 18"X18" SHELLEYGLAS/SHELLEYSTEEL	\$1,244
SG31	STANDOFF DECOR PANEL, FLEXIBLE SIZE SHELLEYGLAS/SHELLEYSTEEL/CONCEPTS	\$1,490

Other custom theme packages available upon request, please contact factory for special pricing

SHELLEYSTEEL/SHELLEYGLAS EQUIPMENT ACCESSORIES

ACCESSORY	DESCRIPTION	LIST PRICE
SG32	SHELLEY WING WALL (PER LINEAR FOOT)	\$434
SG32A	TEMPERED GLASS IN LIEU OF STANDARD, SINGLE TIER	\$998
SG32B	TEMPERED GLASS IN LIEU OF STANDARD, DOUBLE TIER	\$1,153
SG32C	3" ADJUSTABLE HEIGHT CASTER, 3" ADJUSTABLE (SET OF 4)	\$998
SG33	RECESSED WELLS FOR 18" X 26" SHEET PAN	
	A. Shelleyglass 36"	\$1,254
	B. Shelleyglass 50"	\$1,646
	C. Shelleyglass 64"	\$4,860
	D. Shelleyglass 78"	\$5,456
	E. Shelleyglass 96"	\$2,830
	F. Shelleysteel 36"	\$1,254
	G. Shelleysteel 50"	\$1,646
	H. Shelleysteel 62"	\$2,046
	I. Shelleysteel 76"	\$2,437
	J. Shelleysteel 96"	\$2,830
SG34A	CASH DRAWER INSERT	\$480
SG34B	CASH COUNTER TUBULAR FOOT REST	\$202
SG35	FROST TOP GRATE (PER FOOT WITH 1 FT MINIMUM)	\$220
SG36	SHELLEY CORRECTIONAL PACKAGE	\$2,668
SG37	GARDEN HOSE PROVIDED	\$424
SG37C	PULL OUT SHELF FOR CASHIER COUNTER	\$994
SG38	DOUBLE CORD HOOKS - BOTTOM OF UNIT	\$253
SG39	CASHIER INSERT MODIFICATION FOR UTILITY, LINED INSERT, SHELF, DRAWER AND GROMMET	\$4,308
SG43	PROVIDE/INSTALL (2) 120/208 HEATED SELF-LEVELING DISPENSERS FOR 13.38"X25.87"X2.62" RACKS WITH MECHANICAL ACCESS DOORS TO EACH DISPENSER (WITH LOCKS). PROVIDE WITH LIFT OFF LID WITH LOCK FOR EACH OPENING	\$12,683
SG44	RECESSED CONTROL(S) WITH COVER	\$854
TE	TOP EXTENSIONS (ADDED TO BASE AS FLAT TOP AREA) TE OPTION SHOULD ONLY BE USED FOR STANDARD LENGTH UNITS. PLEASE CONTACT THE FACTORY FOR CUSTOM LENGTH PRICING.	
	TE8. 8" extension	CONTACT FACTORY
	TE10. 10" extension	CONTACT FACTORY
	TE14. 14" extension	CONTACT FACTORY
	TE22. 22" extension	CONTACT FACTORY
	TE24. 24" extension	CONTACT FACTORY
	TE32. 32" extension	CONTACT FACTORY
	TE36. 36" extension	CONTACT FACTORY
	TE38. 38" extension	CONTACT FACTORY
ESP	ENERGY SAVINGS POWER HOT FOOD WELL - PER WELL (STANDARD WITHOUT DRAINS)	\$488
LH	NARROW HALOGEN HEATLAMP, 18" MINIMUM LENGTH	\$57/INCH
LHX	NARROW HALOGEN HEATLAMP WITH XENON LIGHTS, 18" MINIMUM LENGTH	\$39/INCH
LX	NARROW XENON DISPLAY LIGHTS, 18" MINIMUM LENGTH	\$26/INCH
	SPACER OPTIONS THE SPACER OPTION (WAINSCOT) INCLUDES TOP, INTERLOCKS AND LEGS. PLEASE SPECIFY FIBERGLASS, STAINLESS STEEL OR LAMINATE WHEN ORDERING.	
	KSPC. Fiberglass spacer	\$48/INCH
	SSPC. Stainless steel spacer	\$38/INCH
	LSPC. Laminate spacer	\$43/INCH
	POWER POLE OPTIONS	
	PP21-30. 120/208 volt, 3-phase, 30 amp pole	\$738
	PP14-50. Locking 120/208 volt, single-phase, 50 amp pole	\$1,460
503		
	P. Plexiglas shield - with or without a pass window (no leg hardware)	\$10/INCH
	Q. Plexiglas shield - with or without a pass window (with leg hardware)	\$14/INCH
	R. Mobile Plexiglas shield to roll under units	\$889
	S. Freestanding sneeze shield	\$2,975
509		
	A. Countertop stand for sanitizer pump (pump by others) - fixed	\$103
	B. Countertop stand for sanitizer pumps (pumps by others) - rotating	\$197
	C. Countertop sanitization items storage	\$1,650
	D. Open face boxes for glove/mask storage w/ nesting brackets	\$120

NLFACTP

Milk or Beverage Dispensers



MILK COOLERS

NLFACP — MILK OR BEVERAGE DISPENSERS



NLFACP-12

- Cabinet to be 18-gauge stainless steel
- Cabinet bottom to be 14-gauge stainless steel
- 20-gauge stainless steel floor liner
- 5/8" diameter drain
- Units insulated with foamed in place environmentally friendly, Kyoto Protocol Compliant, Non ODP (Ozone Depletion Potential), Non GWP (Global Warming Potential) polyurethane
- (2) Hinged lids with locks, molded of black ABS plastic
- 18-gauge dividers self locate milk crates
- Patented "Air Curtain" design
- Refrigeration system to be GreenGenius R290
- Expansion valve, thermostat and defrost timer standard
- Refrigerated temperatures maintain 36°F to 40°F (2°C to 4°C)
- Product will maintain 40°F (4°C) for 2 hours with lids open
- (4) 5.00" diameter polyolefin swivel casters (all locking)
- 8' cord and plug supplied
- Two year parts and labor warranty, 7 year compressor (parts only) warranty

MODEL	CRATE CAPACITY	STORAGE CAPACITY	H.P	V/Hz/Ph	AMPS	NEMA PLUG	SHIP WEIGHT	LIST PRICE
NLFACP-8	8	12.6ft ³ (0.36m ³)	.35	115/60/1	5.0	5-15P	401lbs (182kg)	\$17,722
NLFACP-12	12	18.5ft ³ (0.52m ³)	.35	115/60/1	5.0	5-15P	491lbs (223g)	\$19,812
NLFACP-16	16	24.3ft ³ (0.69m ³)	.35	115/60/1	5.0	5-15P	583lbs (264kg)	\$20,264

200P/300P

Drop-In Freezers,
Water Stations,
and Ice Chests

N8000

Ice Cooled
Cold Pans

N8100P

Drop-In Cold Pans

N8200P

Frost Tops

8100EFP

LiquiTec®
Refrigerated
Cold Pans

N8600P

Combination
Hot/Cold Wells

N8700

Heated Food Wells

N8800

Single Tank
Hot Food Wells

N8000N

Narrow Line
Drop-Ins

DIS

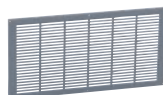
Drop-In Dish
Dispensers

CD AND ND

Drop-In Cup, Napkin
and Tray Dispensers

LT

Drop-In Tray and
Rack Dispensers



DROP-INS/BUILT-INS

200 SERIES — FREEZERS, WATER STATIONS, UNDERCOUNTER SINK AND FAUCETS 300 SERIES — ICE CHEST AND GLASS FILLER



N227P



204



240

N225P — N227P SERIES ONLY

- 18-gauge stainless steel top construction
- 26.81" overall height
- Die stamped top opening with raised edge
- High-density polyurethane foam throughout unit
- Freezer tank is constructed of 2BF with large cleanout radii
- Mechanically cooled 0° to 5° tank storage temperatures meeting NSF and UL requirements
- Folding removable cover with black rubber external handle for easy grip
- 9' cord and plug
- Durable 16-gauge compressor cage
- Environmentally friendly R290 refrigerant
- Electronic temperature controls
- Non-marring press fit gasket
- Stainless steel louver sent loose for field installation
- Suitable for ice cream storage.

240 SERIES ONLY

- 20-gauge stainless steel top and body
- One piece stainless lift off cover with handle
- Stainless steel interior liner with covered corners
- 1" diameter drain plumbed out the bottom
- High-density polyurethane foam throughout unit

203/305 SERIES ONLY

- 20-gauge stainless steel top with raised die stamped opening
- Galvanized exterior body
- One piece stainless lift off cover with handle
- 1" diameter drain plumbed out the bottom
- High-density polyurethane foam throughout unit
- 305: ABS plastic interior line with covered corners
- 203: stainless steel interior liner with covered corners

204 SERIES ONLY

- 18-gauge stainless steel top with raised die stamped opening
- One piece stainless lift off cover with handle
- ABS plastic interior liner with covered corners
- 1" diameter drain plumbed out the bottom
- High-density polyurethane foam throughout unit
- Exterior tank is made of galvanized steel
- Glass filler is 9.5" high, over a die stamped drain opening fitted with chrome plated wire strainer

307 SERIES ONLY

- Glass filler is 9.5" high, over a die stamped drain opening fitted with chrome plated wire strainer

ALL UNITS:

- One year parts and labor standard warranty. Additional warranties available

MODEL	L	D	H	CUTOUT SIZE	CABINET CAPACITY	H.P.	AMP	VOLTS	NEMA PLUG	SHIP WEIGHT	FREIGHT CLASS	LIST PRICE
DROP-IN FREEZERS												
N225P	17.06"	27.41"	26.75"	26.62" x 16.12"	6 gal.	0.2	1.8	115	5-15P	115	92.5	\$9,060
N227P	30.58"	27.41"	26.75"	26.62" x 29.62"	12 gal.	0.25	2.9	115	5-15P	191	92.5	\$11,746

MODEL	DESCRIPTION	L	D	H	CUTOUT SIZE	ICE CAPACITY	SHIP WEIGHT	FREIGHT CLASS	LIST PRICE
WATER STATIONS AND ICE STORAGE									
203	Ice Chest	20.50"	20.50"	23.25"	19.25" x 19.25"	90 lbs.	52	85	\$3,294
204	Water & Ice Station	24"	21"	22.6"	21" x 17.75"	45 lbs.	47.5	85	\$3,361
204-P	Water & Ice Station	24"	21"	26.35"	21" x 17.75"	45 lbs.	47.5	85	\$3,964
240	Ice Chest with Cover	21"	17.5"	17"	—	75 lbs.	36	85	\$4,014
305	Ice Chest with Cover	21.25"	15.25"	13"	17.75" x 12.5"	45 lbs.	18	85	\$1,975
307	Glass Filler	12"	12"	9.5"	—	—	7	85	\$1,171
307-P	Pitcher Filler	12"	12"	13.25"	—	—	7	85	\$1,781

Drop-in accessories and modifications can be found on page 86.

DROP-INS/BUILT-INS

N8000 SERIES — ICE COOLED COLD PANS

N8100BP SERIES — MECHANICALLY COOLED COLD PANS

N8000N SERIES — NARROW ICE COOLED COLD PANS

N8100NP SERIES — NARROW MECHANICALLY COOLED COLD PANS



N8156BP

N8000 SERIES ONLY

- 20-gauge stainless steel top construction
- 2 BF stainless steel interior liner
- Sectional removable perforated bottoms
- Adapter bars are provided standard for - 12" x 20" openings
- Standard 1" plastic drain
- High density polyurethane foam insulation throughout unit
- Galvanized exterior body
- Custom sizes available
- Non-marring press fit top gasket is supplied standard
- NSF-2 certified
- One year parts and labor standard warranty. Additional warranties available

N8100BP/8100NBP SERIES ONLY

- 20-gauge stainless steel top construction
- 2 BF stainless steel interior liner wrapped and spot clipped with refrigeration lines; thermal transfer compound is applied for superior cooling

- Mechanically cooled system
- Adapter bars are provided standard for - 12" x 20" openings
- Standard 1" plastic drain
- High density polyurethane foam insulation throughout unit
- Galvanized exterior body
- Non-marring press fit top gasket is supplied standard
- NSF-7 certified
- Condensing unit is suspended below on a - 16-gauge galvanized frame
- R290 refrigerant
- 8' cord is standard
- Stainless steel louver is provided for field installation
- Custom sizes available
- One year parts and labor standard warranty. Additional warranties available

MODEL	L	D	H	12 X 20 PANS HELD	CUTOUT SIZE	H.P.	AMP	VOLTS	NEMA PLUG	SHIP WEIGHT	FREIGHT CLASS	LIST PRICE
-------	---	---	---	-------------------	-------------	------	-----	-------	-----------	-------------	---------------	------------

ICE COOLED COLD PANS — 8" PAN DEPTH — ADAPTER BARS AND PERFORATED BOTTOMS STANDARD

N8018	18"	26"	10.75"	1	17" X 25"	N/A	N/A	N/A	N/A	38	85	\$3,055
N8030	30.75"	26"	10.75"	2	29.75" X 25"	N/A	N/A	N/A	N/A	84	85	\$3,376
N8043	43.5"	26"	10.75"	3	42.50" X 25"	N/A	N/A	N/A	N/A	110	85	\$3,884
N8056	56.25"	26"	10.75"	4	55.25" X 25"	N/A	N/A	N/A	N/A	139	85	\$4,538
N8069	69"	26"	10.75"	5	68" X 25"	N/A	N/A	N/A	N/A	160	85	\$5,070
N8081	81.75"	26"	10.75"	6	80.75" X 25"	N/A	N/A	N/A	N/A	197	85	\$5,980

MECHANICALLY COOLED PANS — 8" PAN DEPTH — ADAPTER BARS STANDARD

N8118BP	18"	26"	21.87"	1	17" X 25"	1/6	2	115	5-15P	100	85	\$8,276
N8130BP	30.75"	26"	21.87"	2	29.75" X 25"	1/6	2	115	5-15P	140	85	\$8,833
N8143BP	43.5"	26"	21.87"	3	42.50" X 25"	2/7	3.1	115	5-15P	173	85	\$9,600
N8156BP	56.25"	26"	21.87"	4	55.25" X 25"	2/7	3.1	115	5-15P	205	85	\$10,319
N8169BP	69"	26"	21.87"	5	68" X 25"	2/7	3.1	115	5-15P	225	85	\$11,221
N8181BP	81.75"	26"	21.87"	6	80.75" X 25"	1/3	4.6	115	5-15P	258	85	\$12,467

NARROW LINE DROP-INS — ICE COOLED COLD PANS

N8046N	46.75"	18"	10.75"	2	45.75" X 17"	N/A	N/A	N/A	N/A	100	85	\$3,376
N8068N	67.5"	18"	10.75"	3	66.5" X 17"	N/A	N/A	N/A	N/A	120	85	\$3,884

NARROW LINE DROP-INS — MECHANICALLY COOLED COLD PANS

N8146NBP	46.75"	18"	21.81"	2	45.75" X 17"	1/6	2	115	5-15P	175	85	\$9,096
N8168NBP	67.50"	18"	21.81"	3	66.5" X 17"	1/6	2	115	5-15P	240	85	\$9,890

Drop-in accessories and modifications can be found on page 86.

8100-EFP SERIES - LIQUITEC® REFRIGERATED COLD PANS | N8100-FA SERIES - FORCED AIR COLD PANS



8145-EFP



N8131-FA

8100-EFP SERIES ONLY

- 18-gauge stainless steel top construction
- 2BF stainless steel liner wrapped and spot clipped with refrigeration lines; thermal transfer compound is applied for superior cooling
- Mechanically cooled system
- Flush mounted die stamped drawn 12" x 20" individual 20-gauge wells
- Wells to be depressed slightly into the top to hold condensation
- Standard 1/2" stainless steel drain
- High density polyurethane foam insulation throughout unit
- Galvanized exterior body
- Thermostatic temperature with OFF position and expansion valve standard
- Non-marring press fit top gasket is supplied standard
- NSF7 certified
- Condensing unit is suspended below on a 16-gauge galvanized frame
- Environmentally friendly R290 refrigerant
- 8' cord is standard
- Stainless steel louver is provided standard for field installation
- "EFN" slimline models run 12" x 20" well left to right instead of front to back
- One year parts and labor standard warranty. Additional warranties available

N8100-FA SERIES ONLY

- 20-gauge stainless steel top construction
- 2BF stainless steel liner kinked to drain
- Stainless steel pan holds product flush with top
- Air curtain system with evaporator coil and fan package located below false bottom. Air movement over product maintains NSF7 requirements
- Standard 1" plastic drain
- High density polyurethane foam insulation throughout unit
- Galvanized exterior body
- On/off switch with pressure control, and expansion valve standard
- Non-marring press fit top gasket is supplied standard
- NSF7 certified
- Condensing unit is suspended below on a 16-gauge galvanized frame
- Environmentally friendly R290 refrigerant
- 8' cord is standard
- Stainless steel louver is provided standard for field installation
- Air curtain assembly is removable without tools for easy cleaning
- *Remote refrigeration not available on FA series

MODEL	L	D	H	CUTOUT SIZE	12 X 20 PANS HELD	AMPS	H.P.	VOLTS	NEMA PLUG	SHIP WEIGHT	FREIGHT CLASS	LIST PRICE
-------	---	---	---	-------------	-------------------	------	------	-------	-----------	-------------	---------------	------------

LIQUITEC® EUTECTIC FLUID REFRIGERATED COLD PANS

8118-EFP	18.20"	26"	23.25"	17" x 25"	1	2.4	1/5	115	5-15P	169	85	\$10,991
8132-EFP	31.76"	26"	23.25"	30.75" x 25"	2	2.4	1/5	115	5-15P	215	85	\$12,107
8145-EFP	45.32"	26"	23.25"	44.25" x 25"	3	3.7	1/4	115	5-15P	265	85	\$13,166
8159-EFP	58.88"	26"	23.25"	57.87" x 25"	4	3.7	1/4	115	5-15P	285	85	\$14,136
8172-EFP	72.44"	26"	23.25"	71.5" x 25"	5	4.8	1/3	115	5-15P	295	85	\$15,382
8186-EFP	86"	26"	23.25"	85.0" x 25"	6	4.8	1/3	115	5-15P	394	85	\$16,614

LIQUITEC® SLIM LINE EUTECTIC FLUID REFRIGERATED COLD PANS

8148-EFNP	47.66"	18"	23.25"	46.88" x 17.25"	2	2.4	1/5	115	5-15P	235	85	\$12,916
8169-EFNP	69.22"	18"	23.25"	68.50" x 17.25"	3	2.4	1/4	115	5-15P	285	85	\$15,514
8191-EFNP	90.78"	18"	23.25"	90" x 17.25"	4	3.7	1/4	115	5-15P	295	85	\$16,742

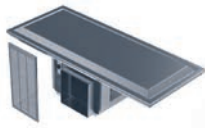
FORCED AIR DROP-IN MECHANICALLY COOLED PANS

N8131-FAP	31.25"	26.67"	28.62"	2	30.50" x 25.50"	1/4	4.8	115	5-15P	225	85	\$14,303
N8144-FAP	44"	26.67"	28.62"	3	43.00" x 25.50"	1/4	4.8	115	5-15P	267	85	\$15,502
N8157-FAP	56.75"	26.67"	28.62"	4	57.75" x 25.50"	1/2	8.9	115	5-15P	310	85	\$16,292
N8169-FAP	69.5"	26.67"	28.62"	5	68.50" x 25.50"	1/2	8.9	115	5-15P	365	85	\$17,087
N8182-FAP	82.25"	26.67"	28.62"	6	81.50" x 25.50"	1/2	8.9	115	5-15P	406	85	\$18,287

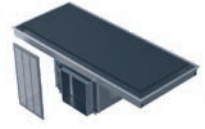
Drop-in accessories and modifications can be found on page 86.

DROP-INS/BUILT-INS

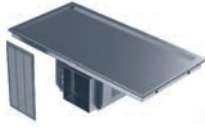
N8200P SERIES — FROST TOPS, N8200GP SERIES — GRANITE COLD SLAB, N8200-STP SERIES — SHEET PAN FROST TOPS



N8259P



N8245GP



N8256-STP

N8200P SERIES ONLY

- 18-gauge stainless steel top construction
- Top has integral drain trough and 2.00" overhang around perimeter
- Top is elevated 1.68" above counter surface and angles approximately 45° into the trough
- The bottom interior of the top is serpentine wrapped, taped, then foamed with high density polyurethane foam insulation.
- Exterior body is galvanized steel
- Condensing unit is suspended below on a 16-gauge galvanized frame
- Environmentally friendly R290 refrigerant
- 8' cord is standard
- Stainless steel louver is provided standard for field installation
- Custom sizes available
- Standard 1/2" stainless steel tubing drain
- Unit is equipped with an on/off switch
- Non-marring press fit top gasket is supplied standard
- NSF certified

N8200-STP SERIES ONLY

- Recessed stainless steel top with full perimeter drain trough and 1/2" drain

N8200GP SERIES ONLY

- 14-gauge stainless steel top with "Absolute Black" granite
- Thermal transfer compound installed between stainless steel and granite top
- Top has integral drain trough 1.5" deep around perimeter
- Top is elevated 1.25" above counter surface
- Unit foamed with high density polyurethane insulation
- Exterior body is galvanized steel
- Condensing unit is suspended below on a 16-gauge galvanized steel frame
- Environmentally friendly R290 refrigerant
- 8' cord is standard
- Stainless steel louver is provided standard for field installation
- Standard 3/4" stainless steel drain
- Unit is equipped with an on/off switch
- NSF certified

ALL UNITS

- One year parts and labor standard warranty. Additional warranties available

Drop-in accessories and modifications can be found on page 86.

MODEL	L	D	H	12 X 20 PANS HELD	CUTOUT SIZE	H.P.	AMP	VOLTS	NEMA PLUG	SHIP WEIGHT	FREIGHT CLASS	LIST PRICE
FROST TOPS												
N8231P	31.75"	26"	15.75"	—	30.75" x 25"	1/5	2.4	115	5-15P	142	85	\$9,422
N8245P	45.63"	26"	15.75"	—	44.63" x 25"	1/5	2.4	115	5-15P	168	85	\$9,791
N8259P	59.5"	26"	15.75"	—	58.50" x 25"	1/4	3.7	115	5-15P	193	85	\$10,619
N8273P	73.38"	26"	15.75"	—	72.38" x 25"	1/4	3.7	115	5-15P	209	85	\$11,358
N8287P	87.25"	26"	15.75"	—	86.25" x 25"	1/3	4.8	115	5-15P	239	85	\$12,514
GRANITE COLD SLAB												
N8231GP	31.75"	25.87"	19"	—	30.75" x 25"	1/5	2.4	115	5-15P	227	85	\$13,066
N8245GP	45.63"	25.87"	19"	—	44.63" x 25"	1/4	3.7	115	5-15P	330	85	\$14,852
N8259GP	59.5"	25.87"	19"	—	58.50" x 25"	1/3	4.8	115	5-15P	433	85	\$17,652
N8273GP	73.38"	25.87"	19"	—	72.38" x 25"	1/3	4.8	115	5-15P	536	85	\$19,315
FROST TOPS - SHEET PAN												
N8230-STP	29.60"	22"	15.70"	1-Long left to right	28.60" x 21.10"	1/5	2.4	115	5-15P	142	85	\$9,822
N8240-STP	39.70"	29.60"	15.70"	2 Tall left to right	38.60" x 28.75"	1/4	3.7	115	5-15P	168	85	\$9,894
N8256-STP	55.60"	22"	15.70"	2-Long left to right	54.60" x 21.10"	1/5	2.4	115	5-15P	193	85	\$11,020
N8258-STP	57.60"	29.60"	15.70"	3-Tall left to right	56.60" x 28.75"	1/4	3.7	115	5-15P	209	85	\$11,759
N8275-STP	75.50"	29.60"	15.70"	4-Tall left to right	74.50" x 28.75"	1/3	4.8	115	5-15P	239	85	\$12,071

DROP-IN FLEXITOP

- Designed to run hot or cold
- Hot - 100°F - 180°F
- Cold - 0° - 20°F

- Aluminum surface top
- Sized to hold 18" x 26" sheet pans
- 1/2" Drain

- Cord and plug supplied standard
- Environmentally friendly R290 GreenGenius refrigerant
- 2 year parts and labor warranty standard

MODEL	COUNTER CUTOUT DIMENSIONS	18 X 26 SHEET PAN CAPACITY (RECESSED 3/4")	V/HZ/PH	AMPS	H.P.	NEMA PLUG	BTU LOAD	SYSTEM CAPACITY	LIST PRICE
FLEXITOP HOT/COLD									
N8232-FTP	TOP 30.60 L X 21.10 W CNTL 4.25 W X 7.25 H	1	115/60/1	2.4	1/5	5-15P	440	616	\$9,905
N8242-FTP	TOP 40.65 L X 28.75 W CNTL 4.25 W X 7.25 H	2	115/60/1	4	1/5	5-15P	644	735	\$10,244
N8258-FTP	TOP 56.60 L X 21.10 W CNTL 4.25 W X 7.25 H	2	115/60/1	4	1/5	5-15P	802	790	\$10,584
N8260-FTP	TOP 58.60 L X 28.75 W CNTL 4.25 W X 7.25 H	3	115/60/1	6	1/5	5-15P	836	790	\$10,924
N8232-2FTP	TOP 30.60 L X 21.10 W CNTL 4.25 W X 14.25 H	2	115/60/1	4	1/5	5-15P	594	773	\$16,312
N8242-2FTP	TOP 40.65 L X 28.75 W CNTL 4.25 W X 14.25 H	4	115/60/1	8	1/4	5-15P	882	887	\$17,227
N8258-2FTP	TOP 56.60 L X 21.10 W CNTL 4.25 W X 14.25 H	4	115/60/1	8	1/4	5-15P	1412	1311	\$18,143
N8260-2FTP	TOP 58.60 L X 28.75 W CNTL 4.25 W X 14.25 H	6	115/60/1	12	1/4	5-15P	1471	1324	\$19,058

DROP-INS/BUILT-INS

N8600P SERIES — COMBINATION HOT/COLD WELLS | N8800 SERIES — SINGLE TANK HOT FOOD WELLS



N8656P



N8845

N8600P SERIES ONLY

- Dual temp hot or cold operation
- 20-gauge stainless steel top construction
- Single "wet only" well with immersion heater(s) and 1" stainless steel drain
- Adapter bars standard to accommodate 12"x20" pans
- Remote control panel with 3-way Hot/Off/Cold power switch and thermostatic control for hot operation
- Thermostat for cold operation located by condensing unit
- Non-marring press fit top gasket is supplied standard
- High density polyurethane foam insulation throughout unit
- Stainless steel liner wrapped with spot clipped refrigeration lines; thermal transfer compound applied for superior cooling
- Galvanized exterior body
- Condensing unit suspended below on a 16-gauge galvanized frame
- R290 refrigeration system with thermostatic expansion valve
- Unit must be hard wired in field
- Stainless steel louver is provided standard for field installation

N8800 SERIES ONLY

- Adapter bars provided standard to accommodate 12" x 20" pans
- Single wet only well 8" deep made of 316 series stainless kinked to stainless 1" drain
- Single thermostatic temperature control wired to (1) main control panel with 2' of conduit and wire. Field install control panel at locations

N8600P AND N8800

- One year parts and labor standard warranty. Additional warranties available

N8600-FWP

- Two years part and labor standard warranty.

MODEL	L	D	H	12 X 20 PANS HELD	CUTOUT SIZE	H.P.	AMP	VOLTS	WATTS	NEMA PLUG	SHIP WEIGHT	FREIGHT CLASS	LIST PRICE
COMBINATION HOT/COLD FOOD WELLS — 8" PAN DEPTH PILOT INDICATOR LIGHTS INCLUDED													
N8630P	30.75"	26"	25.75"	2	29.75" x 25"	1/5	25	120	3000	N/A	164	85	\$16,307
N8643P	43.5"	26"	25.75"	3	42.50" x 25"	1/5	21	120/240	5000	N/A	198	85	\$17,148
N8656P	56.25"	26"	25.75"	4	55.25" x 25"	1/4	21	120/240	5000	N/A	233	85	\$18,778
N8669P	69"	26"	25.75"	5	68" x 25"	1/4	42	120/240	10000	N/A	266	85	\$20,258
N8681P	81.75"	26"	25.75"	6	80.75" x 25"	1/3	42	120/240	10000	N/A	301	85	\$22,588

MODEL	L	D	H	12 X 20 PANS HELD	CUTOUT DIMENSIONS	H.P.	AMP	VOLTS	WATTS	NEMA PLUG	SHIP WEIGHT	FREIGHT CLASS	LIST PRICE
SINGLE TANK HOT FOOD WELLS — 6" PAN DEPTH PILOT LIGHT INCLUDED													
N8831	31.75"	26"	11"	2	30.75" x 25"	N/A	17	120	2000	N/A	100	92.5	\$4,517
N8845	45.63"	26"	11"	3	44.63" x 25"	N/A	15/16	208-230	3000/3600	N/A	136	92.5	\$5,300
N8859	59.5"	26"	11"	4	58.5" x 25"	N/A	20/22	208-230	4000/4800	N/A	158	92.5	\$6,005
N8873	73.38"	26"	11"	5	72.38" x 25"	N/A	24/27	208-230	5000/6000	N/A	195	92.5	\$6,920
N8887	87.25"	26"	11"	6	86.25" x 25"	N/A	29/32	208-230	6000/7200	N/A	224	92.5	\$7,758

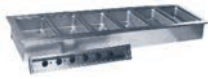
Drop-in accessories and modifications can be found on page 86.

MODEL	12 X 20 PANS HELD	HOT ELECTRICAL	CUTOUT DIMENSIONS	COLD ELECTRICAL	BTU LOAD	SYSTEM CAPACITY	LIST PRICE
DROP-IN FLEXIWELLS							
N8618-FWP	1	1500W - 208-240V-6.3A	17" x 25"	120V - 2.9A - 1/5 H.P	310	625	\$20,708
N8635-FWP	2	(2) 1500W - 208-240V-12.5A	34" x 25"	120V - 2.9A - 1/5 H.P	620	906	\$22,816
N8652-FWP	3	(3) 1500W - 208-240V-18.8A	51" x 25"	120V - 2.9A - 1/5 H.P	929	1066	\$26,772
N8669-FWP	4	(4) 1500W - 208-240V-25A	68" x 25"	120V - 5.7A - (2) 1/5HP	1239	1812	\$31,235
N8686-FWP	5	(5) 1500W - 208-240V-31.3A	85" x 25"	120V - 5.7A - (2) 1/5HP	1549	1972	\$34,447
N86103-FWP	6	(6) 1500W - 208-240V-37.5A	102" x 25"	120V - 5.7A - (2) 1/5HP	1859	2132	\$37,656

Drop-in accessories and modifications can be found on page 86.

N8700 SERIES — HEATED FOOD WELLS

N8700N SERIES — INDIVIDUALLY HEATED NARROW FOOD WELLS



N8787-D

N8700ND SERIES ONLY

- Top is constructed of 18-gauge stainless steel
- Flush mounted die stamped drawn 12" x 20" individual 20-gauge wells
- Wells to be depressed slightly into the top to hold in condensation
- Standard 1/2" stainless steel drain(s)
- Non-marring press fit top gasket is supplied standard
- Must be hard wired in the field
- Wet and dry operation
- 11.87" x 19.87" single hot food wells are manifolded together standard to one main gate valve
- Unit shall be insulated on all sides with 1" of fiberglass and bottom to have 2" of fiberfrax blanket insulation
- Individual infinite temperature controls standard wired to one main control panel with 4' of conduit and wire. Field install control panel at location
- Galvanized exterior body

N8700N SERIES ONLY

- Top is constructed of 18-gauge stainless steel
- Flush mounted die stamped drawn 12" x 20" individual 20-gauge wells
- Wells to be depressed slightly into the top to hold in condensation
- Standard 1/2" stainless steel drain(s)
- Non-marring press fit top gasket is supplied standard
- Must be hard wired in the field
- Wet and dry operation
- 11.87" x 19.87" single hot food wells are manifolded together standard to one main gate valve
- Unit shall be insulated on all sides with 1" of fiberglass and bottom to have 2" of fiberfrax blanket insulation
- Individual infinite temperature controls standard wired to one main control panel with 4' of conduit and wire. Field install control panel at location
- Galvanized exterior body

ALL UNITS

- One year parts and labor standard warranty. Additional warranties available

MODEL	L	D	H	12 X 20 PANS HELD	CUTOUT SIZE	H.P.	AMP	VOLTS	WATTS	NEMA PLUG	SHIP WEIGHT	FREIGHT CLASS	LIST PRICE
-------	---	---	---	-------------------	-------------	------	-----	-------	-------	-----------	-------------	---------------	------------

**INDIVIDUALLY HEATED FOOD WELLS WITH DRAINS AND MANIFOLD 6" PAN DEPTH
PILOT LIGHTS INCLUDED 208-230 VOLT SYSTEM**

N8717-D	17.88"	26"	9.5"	1	16.88" x 25"	—	8.3	120	1000	N/A	41	85	\$3,326
N8731-D	31.75"	26"	9.5"	2	30.75" x 25"	—	16.6	120	2000	N/A	99	85	\$5,227
N8745-D	45.63"	26"	9.5"	3	44.62" x 25"	—	15.0/16.0	208/230	3000/4000	N/A	134	85	\$7,193
N8759-D	59.5"	26"	9.5"	4	58.5" x 25"	—	20.0/22.0	208/230	4000/4800	N/A	166	85	\$9,355
N8773-D	73.38"	26"	9.5"	5	72.37" x 25"	—	24.0/27.0	208/230	5000/6000	N/A	186	85	\$11,852
N8787-D	87.25"	26"	9.5"	6	86.25" x 25"	—	29.0/32.0	208/230	6000/7200	N/A	236	85	\$14,132

INDIVIDUALLY HEATED NARROW FOOD WELLS WITH DRAINS

N8746ND	45.61"	15.87"	9.5"	2	44.62" x 15"	N/A	17	120	2000	N/A	100	85	\$5,227
N8768ND	67.48"	15.87"	9.5"	3	66.50" x 15"	N/A	15/16	208-230	3000/3600	N/A	130	85	\$7,410

INDIVIDUALLY HEATED NARROW FOOD WELLS WITHOUT DRAINS

N8768N	67.48"	15.87"	9.5"	3	66.50" x 15"	N/A	15/16	208-230	3000/3600	N/A	130	85	\$6,851
---------------	--------	--------	------	---	--------------	-----	-------	---------	-----------	-----	-----	----	----------------

N8700D - 14" overall height including drain connection. | Drop-in accessories and modifications can be found on page 86.

DROP-INS/BUILT-INS

N8700-DESP SERIES — LOW WATT HOT FOOD WELLS



N8759-DESP

- Energy Savings Power Hot Food Well
- Top is constructed of 18-gauge stainless steel
- Flush mounted die stamped drawn 12" x 20" individual 20-gauge wells
- Wells depressed slightly into the top to hold in condensation
- Standard 1/2" stainless steel drain(s)
- Non-marring press fit top gasket
- Must be hard wired in the field
- Wet and dry operation

- 11.87" x 19.87" single hot food wells are manifolded together standard to one main gate valve
- Unit shall be insulated on the bottom and all sides with 1" of fiberglass
- Individual digital temperature controls standard wired to one main control panel with 4' of conduit and wire. Field install control panel at location
- Galvanized exterior body
- One year parts and labor warranty

MODEL	L	D	H	12 X 20 PANS HELD	CUTOUT SIZE	AMP	VOLTS	WATTS	NEMA PLUG	SHIP WEIGHT	FREIGHT CLASS	LIST PRICE
INDIVIDUALLY HEATED FOOD WELLS WITH DRAINS AND MANIFOLD 6" PAN DEPTH PILOT LIGHTS INCLUDED 208-230 VOLT SYSTEM												
N8717-DESP	17.89"	26"	9.5"	1	16.87" x 25"	2.4/2.7	208/230	500	N/A	41	85	\$4,034
N8731-DESP	31.76"	26"	9.5"	2	30.75" x 25"	4.8/5.4	208/230	1000	N/A	99	85	\$6,408
N8745-DESP	45.63"	26"	9.5"	3	44.62" x 25"	7.2/8.1	208/230	1500	N/A	134	85	\$8,993
N8759-DESP	59.5"	26"	9.5"	4	58.5" x 25"	9.6/10.8	208/230	2000	N/A	166	85	\$12,048
N8773-DESP	73.37"	26"	9.5"	5	72.37" x 25"	12.0/13.5	208/230	2500	N/A	186	85	\$14,818
N8787-DESP	87.24"	26"	9.5"	6	86.25" x 25"	14.4/16.2	208/230	3000	N/A	236	85	\$17,154

Drop-in accessories and modifications can be found on page 86.

DROP-INS/BUILT-INS

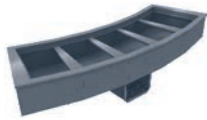
N8000-R — DROP-IN RADIAL ICE COOLED COLD PAN

N8100-BRP — DROP-IN RADIAL MECHANICALLY COOLED COLD PAN

N8700-R — DROP-IN RADIAL HEATED ELECTRIC FOOD WELLS



N8259P



N8245GP



N8256-STP

N8000-R UNITS ONLY

- NSF certified
- A stainless steel holding clip adjusts for pans
- Push-in perimeter gasket
- 1" drain standard
- High density foamed in place environmentally friendly, Kyoto Protocol Compliant, Non ODP (Ozone Depletion Potential), Non GWP (Global Warming Potential) polyurethane Keeps energy costs low
- Removable perforated, false bottom
- One year parts and labor standard warranty

N8100-BRP UNITS ONLY

- NSF-7 certified performance
- A stainless steel holding clip adjusts for pans
- High density foamed in place environmentally friendly, Kyoto Protocol Compliant, Non ODP (Ozone Depletion Potential), Non GWP (Global Warming Potential) polyurethane Keeps energy costs low
- Push-in perimeter gasket
- Stainless steel louver provided
- Environmentally friendly R290 refrigerant
- 1" drain standard
- Thermostat for temperature control
- One year parts and labor standard warranty

N8700-R UNITS ONLY

- Top is constructed of 18-gauge stainless steel
- Flush mounted die stamped drawn 12"x20" individual 20-gauge wells
- Wells depressed slightly into the top to hold condensation
- Standard 1/2" stainless steel drain(s)
- Non-marring press fit top gasket
- Must be hard wired in the field
- Wet and dry operation
- 11.87"x19.87" single hot food wells are manifolded together standard to one main gate valve
- Unit shall be insulated on all sides with 1" of fiberglass and bottom to have 2" of fiberfrax blanket insulation
- Individual infinite temperature controls standard wired to one main control panel with 4' of conduit and wire. Field install control panel at location
- Galvanized exterior body
- One year parts and labor standard warranty

MODEL	L	D	H	12 X 20 PANS HELD	SHIP WEIGHT	FREIGHT CLASS	LIST PRICE
-------	---	---	---	-------------------	-------------	---------------	------------

ICE COOLED CURVED DROP-IN

N8044-R	40.48"	26.05"	10.77"	2	100 lbs.	85	\$3,432
N8059-R	57.22"	26.05"	10.77"	3	118 lbs.	85	\$3,689
N8076-R	73.68"	26.05"	10.77"	4	145 lbs.	85	\$3,177
N8094-R	89.89"	26.05"	10.77"	5	164 lbs.	85	\$5,153

MODEL	L	D	H	12 X 20 PANS HELD	H.P.	AMP	BTU LOAD	VOLTS/HERTZ/PHASE	NEMA PLUG	SHIP WEIGHT	FREIGHT CLASS	LIST PRICE
-------	---	---	---	-------------------	------	-----	----------	-------------------	-----------	-------------	---------------	------------

MECHANICALLY COOLED CURVED DROP-IN

N8144-BRP	40.48"	26.05"	10.77"	2	1/5	2.4	379	115/60/1	5-15P	161 lbs.	85	\$8,810
N8159-BRP	57.22"	26.05"	10.77"	3	1/4	3.7	569	115/60/1	5-15P	184 lbs.	85	\$10,462
N8176-BRP	73.68"	26.05"	10.77"	4	1/4	3.7	758	115/60/1	5-15P	233 lbs.	85	\$10,810
N8194-BRP	89.89"	26.05"	10.77"	5	1/4	3.7	948	115/60/1	5-15P	243 lbs.	85	\$12,467

MODEL	L	D	H	12 X 20 PANS HELD	AMP	WATTS	VOLTS/HERTZ/PHASE	SHIP WEIGHT	FREIGHT CLASS	LIST PRICE
-------	---	---	---	-------------------	-----	-------	-------------------	-------------	---------------	------------

HEATED CURVED DROP-INS

N8744-R	40.48"	26.05"	9.08"	2	16.6	2000	120/60/1	99 lbs.	85	\$5,477
N8759-R	57.22"	26.05"	9.08"	3	15.0/16.0	3000/4000	208-230/60/1	134 lbs.	85	\$7,758
N8776-R	73.68"	26.05"	9.08"	4	20.0/22.0	4000/4800	208-230/60/1	166 lbs.	85	\$10,392
N8794-R	89.80"	26.05"	9.08"	5	24.0/27.0	5000/6000	208-230/60/1	186 lbs.	85	\$13,170

Drop-in accessories and modifications can be found on page 86.

DIS — DROP-IN DISH DISPENSERS



DIS-1013ET
WITH OPTIONAL
ADJUSTMENT RODS



DIS-650

DIS SERIES ONLY

- Top flange and bottom brace to be 18-gauge stainless steel
- Vertical side channels to be 22-gauge stainless steel
- Flange, channels and bottom to be integrally welded
- Spring supports to be 14-gauge stainless steel
- Carrier head made of welded rods with a removable 18-gauge top plate
- Self-leveling mechanism, field adjustable by adding or removing springs
- High impact plastic guide posts mounted to flange
- One year parts and labor standard warranty. Additional warranties available

DIS-ET/QT SERIES ONLY

- 4' cord and plug
- Convection heating module and fan motor
- Air intake shall be filtered
- On/off switch and adjustable thermostat
- Outer 22-gauge stainless steel jacket
- QT- Shall have a stainless steel cover
- ET- Maintains temperatures between 120-140°F (49-60°C)
- QT- Maintains temperatures between 150-170°F (66-77°C)
- One year parts and labor standard warranty. Additional warranties available

MODEL	FLANGE DIAMETER	HEIGHT	CUTOUT DIAMETER	DISH DIAMETER*	AMPS	VOLTS	NEMA PLUG	WATT	SHIP WEIGHT	FREIGHT CLASS	LIST PRICE
-------	-----------------	--------	-----------------	----------------	------	-------	-----------	------	-------------	---------------	------------

DROP-IN DISH DISPENSERS — UNHEATED

DIS-500	8.37"	27.38"	7.75"	3"-5"	N/A	N/A	N/A	N/A	7	100	\$1,178
DIS-575	9.12"	27.38"	8.5"	5"-5.75"	N/A	N/A	N/A	N/A	8	100	\$1,358
DIS-650	9.87"	27.38"	9.25"	5.75"-6.5"	N/A	N/A	N/A	N/A	9	100	\$1,432
DIS-725	10.62"	27.38"	10"	6.5"-7.25"	N/A	N/A	N/A	N/A	10	100	\$1,504
DIS-813	11.5"	27.38"	10.87"	7.25"-8.12"	N/A	N/A	N/A	N/A	11	100	\$1,579
DIS-913	12.5"	27.38"	11.87"	8.13"-9.12"	N/A	N/A	N/A	N/A	12	100	\$1,698
DIS-1013	13.5"	27.38"	12.87"	9.13"-10.12"	N/A	N/A	N/A	N/A	13	100	\$1,801
DIS-1200	15.38"	27.38"	14.75"	10.13"-12"	N/A	N/A	N/A	N/A	15	100	\$2,170
DIS-1450	17.88"	27.38"	17.25"	12"-14.5"	N/A	N/A	N/A	N/A	17	100	\$2,406

DROP-IN DISH DISPENSERS — EVEN TEMP HEATED DISPENSERS

DIS-500-ET	8.37"	27.38"	7.75"	3"-5"	5.5	120	5-15P	400	17	125	\$2,266
DIS-575-ET	9.12"	27.38"	8.5"	5"-5.75"	5.5	120	5-15P	400	17	125	\$2,406
DIS-650-ET	9.87"	27.38"	9.25"	5.75"-6.5"	5.5	120	5-15P	400	19	125	\$2,527
DIS-725-ET	10.62"	27.38"	10"	6.5"-7.25"	5.5	120	5-15P	400	21	125	\$2,746
DIS-813-ET	11.5"	27.38"	10.87"	7.25"-8.12"	5.5	120	5-15P	700	24	125	\$2,846
DIS-913-ET	12.5"	27.38"	11.87"	8.12"-9.12"	5.5	120	5-15P	700	25	125	\$3,066
DIS-1013-ET	13.5"	27.38"	12.87"	9.12"-10.12"	5.5	120	5-15P	700	27	125	\$3,188
DIS-1200-ET	15.37"	27.38"	14.75"	10.12"-12"	5.5	120	5-15P	700	32	125	\$3,595
DIS-1450-ET	17.87"	27.38"	17.25"	12"-14.5"	5.5	120	5-15P	700	37	125	\$3,848

DROP-IN DISH DISPENSERS — QUICK TEMP HEATED DISPENSERS

DIS-813-QT	11.5"	27.38"	10.87"	7.25"-8.12"	5.5	120	5-15P	700	30	125	\$2,827
DIS-913-QT	12.5"	27.38"	11.87"	8.12"-9.12"	5.5	120	5-15P	700	32	125	\$3,658
DIS-1013-QT	13.5"	27.38"	12.87"	9.12"-10.12"	5.5	120	5-15P	700	34	125	\$3,833
DIS-1200-QT	15.37"	27.38"	14.75"	10.12"-12"	5.5	120	5-15P	700	37	125	\$4,180
DIS-1450-QT	17.87"	27.38"	17.25"	12"-14.5"	5.5	120	5-15P	700	41	125	\$4,260

Drop-in accessories and modifications can be found on page 86. | *Non-marring rods for oval dishes and diameter adjustment available as an option.

NOTE: Non-Marring Rods reduces allowable dish diameter by 1.25". Non-Marring Rods factory recommended for DIS-1200 with plate diameter of 10.13" - 10.75" and DIS-1450 with plate diameter of 12" - 13.25". Please consult with factory to confirm operational fit.

CD SERIES — CUP DISPENSERS | ND SERIES — NAPKIN DISPENSERS



CD

CD SERIES ONLY

- Dispenser tube with support flange
- Elevating mechanism consists of stainless steel spring and three equally spaced stainless steel friction strips fastened to a stainless steel collar
- Two compression springs are provided; one for paper cups, and one for foam cups
- Dispenser capacities will vary depending on the style of cup

ND SERIES ONLY

- Top flange to be 18-gauge stainless steel
- Dispenser bottom to be 22-gauge stainless steel
- Dispenser body shall have four 22-gauge vertical angle guides integrally welded to the top flange and bottom
- Carrier head to be 22-gauge stainless steel
- Two extension springs support the carrier head
- Napkin cover to be 20-gauge stainless steel and snaps onto flange
- All models hold up to 500 paper napkins at an 18.00" stack height, capacity will vary
- Special heights available

ALL UNITS

- One year parts and labor standard warranty. Additional warranties available

MODEL	FLANGE DIAMETER	HEIGHT	CUTOUT DIAMETER	DISH DIAMETER	SHIP WEIGHT	FREIGHT CLASS	LIST PRICE
-------	-----------------	--------	-----------------	---------------	-------------	---------------	------------

DISPOSABLE CUP DISPENSERS

CD	7.38"	24.5"	5.12"	2.5"-4.63"	15lbs.	100	\$744
CD-SS	7.38"	24.5"	5.12"	2.5"-4.63"	15lbs.	100	\$1,856

MODEL	L	D	H	CUTOUT DIAMETER	NAPKIN DIMENSIONS	SHIP WEIGHT	FREIGHT CLASS	LIST PRICE
-------	---	---	---	-----------------	-------------------	-------------	---------------	------------

NAPKIN DISPENSERS

ND-45	7.62"	6"	24"	5.62"x 7"	4" x 5.37"	12	100	\$1,351
ND-47	9.37"	6.25"	24"	5.87"x 8.75"	4.25" x 7.12"	12	100	\$1,360
ND-48	10.25"	6.25"	24"	6.12"x 9.62"	4.5" x 8"	16	100	\$1,379
ND-57	9.25"	7.12"	24"	6.75"x 8.62"	5.12" x 7"	16	100	\$1,421
ND-59	11"	6.75"	24"	6.37"x 10.37"	4.75" x 8.75"	12	100	\$1,252
ND-67	9.37"	8.17"	24"	8.5"x 8.75"	6.87" x 7.12"	12	100	\$1,252

Drop-in accessories and modifications can be found on page 86.

LT SERIES — DROP-IN TRAY AND RACK DISPENSERS



LT-1418

LT SERIES ONLY

- Top flange and bottom support to be 16-gauge stainless steel
- Dispenser body shall have four 14-gauge uprights, reinforced with 14-gauge stainless steel angles
- Top flange, uprights and bottom support to be integrally welded

- Dispenser platform carrier shall be 18-gauge stainless steel and removable for cleaning
- Self-leveling mechanisms shall be adjustable by adding and removing stainless steel extension springs located inside the elevator housing
- One year parts and labor standard warranty. Additional warranties available

MODEL	L	D	H	CUTOUT DIAMETER	MAXIMUM TRAY SIZE	AMP	SHIP WEIGHT	FREIGHT CLASS	LIST PRICE
DROP-IN TRAY AND RACK DISPENSERS									
LT-1014	15.75"	22.12"	27.5"	11.75" x 21"	10" x 15"	N/A	43	100	\$2,609
LT-1216	21.75"	19.12"	27.5"	17.75" x 18"	12" x 16"	N/A	43	100	\$2,754
LT-1221	26.75"	19.12"	27.5"	22.75" x 18"	12" x 21"	N/A	45	100	\$2,804
LT-1418	23.75"	21.12"	27.5"	19.75" x 20"	14" x 18"	N/A	43	100	\$2,905
LT-1422	27.75"	21.12"	27.5"	23.75" x 20"	14" x 22"	N/A	45	100	\$2,874
LT-1622	27.75"	23.12"	27.5"	23.75" x 22"	16" x 22"	N/A	45	100	\$2,904
LT-1826	31.75"	25.12"	27.5"	27.75" x 24"	18" x 26"	N/A	48	100	\$3,072
LT-2020	26.75"	27.12"	27.5"	22.75" x 26"	20" x 21"	N/A	45	100	\$3,166
TWO STACK, DROP-IN TRAY AND RACK DISPENSERS									
LT2-1014	27.75"	22.13"	27.5"	23.75" x 21"	10" x 15"	N/A	48	100	\$4,208
LT2-1216	23.12"	31.75"	27.5"	27.75" x 22"	12" x 16"	N/A	48	100	\$4,220
LT2-1221	31.75"	28.13"	27.5"	27.75" x 27"	12" x 21"	N/A	48	100	\$3,236

Drop-in accessories and modifications can be found on page 86.

DROP-INS/BUILT-INS

ACCESSORY	DESCRIPTION	LIST PRICE
BUILT INS — DIS SERIES		
DIS-SL	Shorten dispenser tubes to special length	\$232
—	Stainless steel outer jacket for dispenser tubes (standard on DIS-ET & DIS-QT)	\$582
DIS-SSDT	12" diameter stainless steel dish dispenser tray (DIS 1200 or 1450 only)	\$96
DIS-NMR	Non-marring rods for oval dishes and diameter adjustment (-813 through -1450 only) installation reduces dispenser diameter by 1.25"	\$763
DIS-HDR	Hold-down rod for dispenser tubes	\$181
DIS-SSTC	Stainless steel tube cover (-500 thru -725-ET and non-heated models)	\$600
DIS-DOME	Stainless steel dome cover (-813 through -1450 non-heated models; standard on -QT models; each)	\$815

BUILT INS — LT SERIES		
—	Special heights	ADD 10%
—	Shorten dispenser assembly to special length (LT units only)	ADD 10%

ACCESSORY	DESCRIPTION	LIST PRICE
DROP-INS — 200/300		
3234189	Transparent lid per pan opening (ships loose) (N225P - 1 required) & (N227P - 2 required)	\$743
—	Bar lock for lid assembly (N225P-LK & N227P-LK) Remote toggle switch assembly (ships loose)	\$818
AS000-473-003W	Remote toggle switch assembly (shipped loose)	\$677
1032G	Built-in water pitcher filler	\$559

DROP-INS — N8000, N8100BP, 8100-EFP, N8200P, N8600P, N8700, N8800 & N8000N		
—	208-240 volt, 60HZ, 1 phase step-down transformer (models w/compressors), export orders only	\$1,093
—	230 volt, 50 HZ electrical system (models w/compressors)	\$640
DRP-EXPORT1	30 volt, 50 HZ or 208-240 volt, 60 HZ electrical system (N8717-D, N8746ND, N8746N, N8731-D & N8831 only)	\$324
DRP-146AP	14-6 adapter plates	\$444
DRP-148AP	14-8 adapter plates	\$444
DRP-1410AP	14-10 adapter plates	\$444
AS000-B2G-004I	Telescoping cover - Per individual 12 x 20 well (8100-EFP & N8700-D Series only)	\$946
AS265-AXE-0000	Additional 2" x 20.88" adapter bars	\$50
AS243-ALS-003E	Additional .88" x 20.75" adapter bars	\$40
AS243-ALS-0032	Additional .88" x 12.75" adapter bars	\$32
AS000-BMU-0030	Perforated false bottom (N8118BP)	\$1,241
AS000-BMU-003M	Perforated false bottom (N8130BP)	\$618
AS000-BMU-003N	Perforated false bottom (N8143BP)	\$870

ACCESSORY	DESCRIPTION	LIST PRICE
AS000-B7G-0030	Fan assist package accessory	\$730
AS000-BMU-0031	Perforated false bottom (N8669P)	\$1,492
AS000-BMU-0032	Perforated false bottom (N8681P)	\$1,744
—	Fan assist package (cold units)	\$589
DRP-COMP	Relocate compressor (N8100B series)	\$1,435
DRP-RMT	Remote N8100BP, 8100-EFP, N8200P, N8200GP series (specify refrigerant)* Excludes N8100-FA Series	- \$514
—	Three-phase electrical system (N8600P & N8700 Series only)	\$932
AS000-473-003W	Remote toggle switch assembly (shipped loose) for N8100B, N8200, N8200G	\$677
DRP-DROMIT	Omit drains N8700-D & N8700-DESP models	- \$50
000-504-0030	Autofill kit (ship loose) for N8600P and N8800	\$851
000-504-0031	Autofill kit (ship loose) for N8700	\$863
1007	Flat kinked flange in lieu of standard flange	\$10/LINEAR INCH
1007A	Flat kinked flange (14 gauge required in lieu of gasketed flange)	\$26/INCH
1007B	Flange modified to be sloped 1.5" (3 degree) max slope	\$26/INCH
1007C	Custom sized flange	\$1,493
1007D	Brass drain	\$430
AS000-BMU-0033	Ball valve assembly (shipped loose) for 8100-FA, N8100BP, N8000, N8000NP & N8100NP	\$119
206C	Gate valve assembly (shipped loose) for N8600P & N8800	\$150
AS000-BMU-0034	Ball Valve Assembly (shipped loose) for N8600P & N8800	\$156

SALD
Lettuce and Vegetable Spin Drier



VEGETABLE AND LETTUCE SPIN DRIER

SALD-1 — LETTUCE AND VEGETABLE SPIN DRIER



SALD-1

- Body is 18-gauge stainless steel
- Legs are 1" diameter 16-gauge stainless steel tubing
- (3) 4.00" diameter polyurethane locking stem casters
- Outer lid is 18-gauge stainless steel
- Inner liner is perforated durable polyethylene plastic
- Water-tight motor and controls are mounted on the bottom of the unit
- 6' cord and plug supplied
- Unit standard with 1" OD drain and 6ft hose with hose clamp for draining
- Adjustable ON/OFF timer for drying times up to 5 minutes
- Lid and cover storing hooks come standard
- SALD-1 can not be shipped via UPS
- One year parts and labor standard warranty. Additional warranties available

MODEL	L	D	H	INNER LINER CAPACITY	INNER CAPACITY	LINER DEPTH	AMPS	H.P.	VOLTS/HZ	NEMA PLUG	SHIP WEIGHT	FREIGHT CLASS	LIST PRICE
SALAD ACE LETTUCE AND VEGETABLE SPIN DRIER													
SALD-1	27"	27"	32.5"	20 gal.	15.62"	16.87"	2.7	1/6	115v/60Hz	5-15P	70	85	\$7,254

ACCESSORIES

PART #	DESCRIPTION	LIST PRICE
AS6230116	Extra polyurethane liner and inner lid — ships loose	\$538

CAB2

Mobile Enclosed Two Stack Dish
Dispensers

CAB3

Mobile Enclosed Three Stack Dish
Dispensers

CAB4

Mobile Enclosed Four Stack Dish
Dispensers

CT

Mobile Cantilever Tray and Rack
Dispensers

T/T2

Mobile Enclosed Tray and Rack Dispensers

TT/TT2

Mobile Open Frame and Rack Dispensers

UTS/UTSP

Utility Carts



CAB2 — MOBILE ENCLOSED TWO STACK DISH DISPENSERS



CAB2

CABINET

- Cabinet top to be 16-gauge stainless steel, welded, polished and reinforced
- Outer body and corners to be 20-gauge stainless steel
- Non-marring gray corner bumpers
- (4) 4.00" diameter polyolefin swivel casters (all locking)

DISPENSERS

- Top flange and bottom brace to be 18-gauge stainless steel
- Vertical side channels 22-gauge stainless steel
- Flange, channels and bottom to be integrally welded
- Spring supports to be 14-gauge stainless steel
- Carrier head made of welded rods with a removable 18-gauge top plate
- Self-leveling mechanism, field adjustable by adding or removing springs
- High impact plastic guide posts mounted to flange

ET/QT

- 9' cord and plug supplied
- Convection heating module and fan motor per dispenser
- Outer 22-gauge stainless steel jacket around dispenser
- Air intake shall be filtered
- On/off switch on each dispenser
- Each dispenser to have an adjustable thermostat
- QT- each dispenser shall have a stainless steel cover
- ET- Maintains temperatures between 120-140°F (49-60°C)
- QT- Maintains temperatures between 150-170°F (66-77°C)
- One year parts and labor standard warranty. Additional warranties available

LAMINATE & FIBERGLASS PRICING CHART

MUST SPECIFY COLOR SELECTION ON ORDER.

MODEL	FIBERGLASS PANEL PRICE
CAB2-500	\$842
CAB2-575	\$842
CAB2-650	\$842
CAB2-725	\$842
CAB2-813	\$871
CAB2-913	\$871
CAB2-1013	\$871
CAB2-1200	\$871
CAB2-1450	\$944

MODEL	LAMINATE PANEL PRICE
LAMINATE-500	\$875
LAMINATE-575	\$875
LAMINATE-650	\$875
LAMINATE-725	\$875
LAMINATE-813	\$905
LAMINATE-913	\$905
LAMINATE-1013	\$905
LAMINATE-1200	\$905
LAMINATE-1450	\$982

For a complete list of fiberglass colors, contact Delfield or visit the website at www.delfield.com.

MODEL	L	D	H	DISH DIAMETER*	AMP	WATTS	VOLTS	NEMA PLUG	SHIP WEIGHT	FREIGHT CLASS	LIST PRICE
-------	---	---	---	----------------	-----	-------	-------	-----------	-------------	---------------	------------

MOBILE ENCLOSED TWO-STACK DISH DISPENSERS WITH UNHEATED DISPENSERS

CAB2-500	28.25"	17"	36"	3"-5"	N/A	N/A	N/A	N/A	125	100	\$4,660
CAB2-575	28.25"	17"	36"	5"-5.75"	N/A	N/A	N/A	N/A	125	100	\$4,852
CAB2-650	28.25"	17"	36"	5.75"-6.5"	N/A	N/A	N/A	N/A	127	100	\$5,078
CAB2-725	28.25"	17"	36"	6.5"-7.25"	N/A	N/A	N/A	N/A	130	100	\$5,227
CAB2-813	28.25"	17"	36"	7.25"-8.12"	N/A	N/A	N/A	N/A	132	100	\$5,381
CAB2-913	28.25"	17"	36"	8.12"-9.12"	N/A	N/A	N/A	N/A	135	100	\$5,860
CAB2-1013	28.25"	17"	36"	9.12"-10.12"	N/A	N/A	N/A	N/A	142	100	\$6,022
CAB2-1200	37"	19"	36"	10.12"-12"	N/A	N/A	N/A	N/A	160	100	\$6,809
CAB2-1450	42"	21.5"	36"	12"-14.5"	N/A	N/A	N/A	N/A	176	100	\$8,080

MOBILE ENCLOSED TWO-STACK DISH DISPENSERS WITH EVEN TEMP HEATED DISPENSERS

CAB2-500ET	28.25"	17"	36"	3"-5"	11	800	120	5-20P	144	125	\$7,009
CAB2-575ET	28.25"	17"	36"	5"-5.75"	11	800	120	5-20P	146	125	\$7,175
CAB2-650ET	28.25"	17"	36"	5.75"-6.5"	11	800	120	5-20P	148	125	\$7,690
CAB2-725ET	28.25"	17"	36"	6.5"-7.25"	11	800	120	5-20P	152	125	\$7,250
CAB2-813ET	32.25"	17"	36"	7.25"-8.12"	11	1400	120	5-20P	160	125	\$7,710
CAB2-913ET	32.25"	17"	36"	8.12"-9.12"	11	1400	120	5-20P	168	125	\$8,172
CAB2-1013ET	32.25"	17"	36"	9.12"-10.12"	11	1400	120	5-20P	171	125	\$8,365
CAB2-1200ET	37"	19"	36"	10.12"-12"	11	1400	120	5-20P	192	125	\$9,562
CAB2-1450ET	42"	21.5"	36"	12"-14.5"	11	1400	120	5-20P	201	125	\$10,034

MOBILE ENCLOSED TWO-STACK DISH DISPENSERS WITH QUICK TEMP HEATED DISPENSERS

CAB2-813QT	32.25"	17"	36"	7.25"-8.12"	11	1400	120	5-20P	161	125	\$8,878
CAB2-913QT	32.25"	17"	36"	8.12"-9.12"	11	1400	120	5-20P	166	125	\$8,948
CAB2-1013QT	32.25"	17"	36"	9.12"-10.12"	11	1400	120	5-20P	169	125	\$9,300
CAB2-1200QT	37"	19"	36"	10.12"-12"	11	1400	120	5-20P	186	125	\$10,726
CAB2-1450QT	42"	21.5"	36"	12"-14.5"	11	1400	120	5-20P	201	125	\$11,605

Mobile Dispensing Equipment accessories and modifications can be found on page 96. | NOTE: Non-Marring Rods reduces allowable dish diameter by 1.25". Non-Marring Rods factory recommended for DIS-1200 with plate diameter of 10.13" - 10.75" and DIS-1450 with plate diameter of 12" - 13.25". Please consult with factory to confirm operational fit.

CAB3 — MOBILE ENCLOSED THREE STACK DISH DISPENSERS



**CAB3-575
WITH OPTIONAL
WRAP-AROUND
BUMPERS**

CABINET

- Cabinet top to be 16-gauge stainless steel, welded, polished and reinforced
- Outer body and corners to be 20-gauge stainless steel
- Non-marring gray corner bumpers
- (4) 4.00" diameter polyolefin swivel casters (all locking)

DISPENSERS

- Top flange and bottom brace to be 18-gauge stainless steel
- Vertical side channels 22-gauge stainless steel
- Flange, channels and bottom to be integrally welded
- Spring supports to be 14-gauge stainless steel
- Carrier head made of welded rods with a removable 18-gauge top plate
- Self-leveling mechanism, field adjustable by adding or removing springs
- High impact plastic guide posts mounted to flange

ET/QT

- 9' cord and plug supplied
- Convection heating module and fan motor per dispenser
- Outer 22-gauge stainless steel jacket around dispenser
- Air intake shall be filtered
- On/off switch on each dispenser
- Each dispenser to have an adjustable thermostat
- QT- each dispenser shall have a stainless steel cover
- ET- Maintains temperatures between 120-140°F (49-60°C)
- QT- Maintains temperatures between 150-170°F (66-77°C)
- One year parts and labor standard warranty. Additional warranties available

**LAMINATE & FIBERGLASS
PRICING CHART**

MUST SPECIFY COLOR
SELECTION ON ORDER.

MODEL	FIBERGLASS PANEL PRICE
CAB3-500	\$842
CAB3-575	\$842
CAB3-650	\$842
CAB3-725	\$842
CAB3-813	\$871
CAB3-913	\$871
CAB3-1013	\$871
CAB3-1200	\$871
CAB3-1450	\$944

MODEL	LAMINATE PANEL PRICE
LAMINATE-500	\$875
LAMINATE-575	\$875
LAMINATE-650	\$875
LAMINATE-725	\$875
LAMINATE-813	\$905
LAMINATE-913	\$905
LAMINATE-1013	\$905
LAMINATE-1200	\$905
LAMINATE-1450	\$982

For a complete list of fiberglass colors, contact Delfield or visit the website at www.delfield.com.

MODEL	L	D	H	DISH DIAMETER*	AMP	WATTS	VOLTS	NEMA PLUG	SHIP WEIGHT	FREIGHT CLASS	LIST PRICE
-------	---	---	---	-------------------	-----	-------	-------	--------------	----------------	------------------	---------------

MOBILE ENCLOSED THREE-STACK DISH DISPENSERS WITH UNHEATED DISPENSERS

CAB3-500	41.25"	17"	36"	3"-5"	N/A	N/A	N/A	N/A	173	100	\$6,002
CAB3-575	41.25"	17"	36"	5"-5.75"	N/A	N/A	N/A	N/A	176	100	\$6,206
CAB3-650	41.25"	17"	36"	5.75"-6.5"	N/A	N/A	N/A	N/A	177	100	\$4,176
CAB3-725	41.25"	17"	36"	6.5"-7.25"	N/A	N/A	N/A	N/A	179	100	\$7,124
CAB3-813	47.25"	17"	36"	7.25"-8.12"	N/A	N/A	N/A	N/A	190	100	\$7,540
CAB3-913	47.25"	17"	36"	8.12"-9.12"	N/A	N/A	N/A	N/A	193	100	\$7,321
CAB3-1013	47.25"	17"	36"	9.12"-10.12"	N/A	N/A	N/A	N/A	196	100	\$7,932
CAB3-1200	53.25"	19"	36"	10.12"-12"	N/A	N/A	N/A	N/A	212	100	\$9,553
CAB3-1450	62"	21.5"	36"	12"-14.5"	N/A	N/A	N/A	N/A	229	100	\$10,651

MOBILE ENCLOSED THREE-STACK DISH DISPENSERS WITH EVEN TEMP HEATED DISPENSERS

CAB3-500ET	41.25"	17"	36"	3"-5"	10.6	1200	208	6-20P	207	125	\$9,340
CAB3-575ET	41.25"	17"	36"	5"-5.75"	10.6	1200	208	6-20P	210	125	\$9,524
CAB3-650ET	41.25"	17"	36"	5.75"-6.5"	10.6	1200	208	6-20P	213	125	\$10,525
CAB3-725ET	41.25"	17"	36"	6.5"-7.25"	10.6	1200	208	6-20P	219	125	\$10,571
CAB3-813ET	47.25"	17"	36"	7.25"-8.12"	10.6	2100	208	6-20P	233	125	\$10,958
CAB3-913ET	47.25"	17"	36"	8.12"-9.12"	10.6	2100	208	6-20P	239	125	\$11,328
CAB3-1013ET	47.25"	17"	36"	9.12"-10.12"	10.6	2100	208	6-20P	245	125	\$11,615
CAB3-1200ET	53.25"	19"	36"	10.12"-12"	10.6	2100	208	6-20P	262	125	\$12,533
CAB3-1450ET	62"	21.5"	36"	12"-14.5"	10.6	2100	208	6-20P	277	125	\$14,138

MOBILE ENCLOSED THREE-STACK DISH DISPENSERS WITH QUICK TEMP HEATED DISPENSERS

CAB3-813QT	47.25"	17"	36"	7.25"-8.12"	10.6	2100	208	6-20P	243	125	\$12,298
CAB3-913QT	47.25"	17"	36"	8.12"-9.12"	10.6	2100	208	6-20P	249	125	\$13,034
CAB3-1013QT	47.25"	17"	36"	9.12"-10.12"	10.6	2100	208	6-20P	255	125	\$13,964
CAB3-1200QT	53.25"	19"	36"	10.12"-12"	10.6	2100	208	6-20P	272	125	\$14,759
CAB3-1450QT	62"	21.5"	36"	12"-14.5"	10.6	2100	208	6-20P	287	125	\$15,498

Mobile Dispensing Equipment accessories and modifications can be found on page 96. | NOTE: Non-Marring Rods reduces allowable dish diameter by 1.25". Non-Marring Rods factory recommended for DIS-1200 with plate diameter of 10.13" - 10.75" and DIS-1450 with plate diameter of 12" - 13.25". Please consult with factory to confirm operational fit.

CAB4 — MOBILE ENCLOSED FOUR STACK DISH DISPENSERS



CAB4-813

CABINET

- Cabinet top to be 16-gauge stainless steel, welded, polished and reinforced
- Outer body and corners to be 20-gauge stainless steel
- Non-marring gray corner bumpers
- (4) 4.00" diameter polyolefin swivel casters (all locking)

DISPENSERS

- Top flange and bottom brace to be 18-gauge stainless steel
- Vertical side channels 22-gauge stainless steel
- Flange, channels and bottom to be integrally welded
- Spring supports to be 14-gauge stainless steel
- Carrier head made of welded rods with a removable 18-gauge top plate
- Self-leveling mechanism, field adjustable by adding or removing springs
- High impact plastic guide posts mounted to flange

ET/QT

- 9' cord and plug supplied
- Convection heating module and fan motor per dispenser
- Outer 22-gauge stainless steel jacket around dispenser
- Air intake shall be filtered
- On/off switch on each dispenser
- Each dispenser to have an adjustable thermostat
- QT- Each dispenser shall have a stainless steel cover
- ET- Maintains temperatures between 120-140°F (49-60°C)
- QT- Maintains temperatures between 150-170°F (66-77°C)
- One year parts and labor standard warranty. Additional warranties available

LAMINATE & FIBERGLASS PRICING CHART

MUST SPECIFY COLOR SELECTION ON ORDER.

MODEL	FIBERGLASS PANEL PRICE
CAB4-500	\$842
CAB4-575	\$842
CAB4-650	\$842
CAB4-725	\$842
CAB4-813	\$871
CAB4-913	\$871
CAB4-1013	\$871
CAB4-1200	\$871
CAB4-1450	\$944

MODEL	LAMINATE PANEL PRICE
LAMINATE-500	\$875
LAMINATE-575	\$875
LAMINATE-650	\$875
LAMINATE-725	\$875
LAMINATE-813	\$905
LAMINATE-913	\$905
LAMINATE-1013	\$905
LAMINATE-1200	\$905
LAMINATE-1450	\$982

For a complete list of fiberglass colors, contact Delfield or visit the website at www.delfield.com.

MODEL	L	D	H	DISH DIAMETER*	AMP	WATTS	VOLTS	NEMA PLUG	SHIP WEIGHT	FREIGHT CLASS	LIST PRICE
-------	---	---	---	----------------	-----	-------	-------	-----------	-------------	---------------	------------

MOBILE ENCLOSED FOUR-STACK DISH DISPENSERS WITH UNHEATED DISPENSERS

CAB4-500	27"	27"	36"	3"-5"	N/A	N/A	N/A	N/A	181	100	\$7,793
CAB4-575	27"	27"	36"	5"-5.75"	N/A	N/A	N/A	N/A	185	100	\$8,224
CAB4-650	27"	27"	36"	5.75"-6.5"	N/A	N/A	N/A	N/A	186	100	\$8,497
CAB4-725	27"	27"	36"	6.5"-7.25"	N/A	N/A	N/A	N/A	189	100	\$8,735
CAB4-813	32.25"	32.25"	36"	7.25"-8.12"	N/A	N/A	N/A	N/A	213	100	\$9,613
CAB4-913	32.25"	32.25"	36"	8.12"-9.12"	N/A	N/A	N/A	N/A	217	100	\$10,238
CAB4-1013	32.25"	32.25"	36"	9.12"-10.12"	N/A	N/A	N/A	N/A	221	100	\$10,763
CAB4-1200	36"	36"	36"	10.12"-12"	N/A	N/A	N/A	N/A	240	100	\$12,984
CAB4-1450	42"	42"	36"	12"-14.5"	N/A	N/A	N/A	N/A	263	100	\$16,272

MOBILE ENCLOSED FOUR-STACK DISH DISPENSERS WITH EVEN TEMP HEATED DISPENSERS

CAB4-500ET	27"	27"	36"	3"-5"	14.2	1600	208	6-20P	226	125	\$8,131
CAB4-575ET	27"	27"	36"	5"-5.75"	14.2	1600	208	6-20P	230	125	\$12,343
CAB4-650ET	27"	27"	36"	5.75"-6.5"	14.2	1600	208	6-20P	234	125	\$13,066
CAB4-725ET	27"	27"	36"	6.5"-7.25"	14.2	1600	208	6-20P	242	125	\$13,600
CAB4-813ET	32.25"	32.25"	36"	7.25"-8.12"	14.2	2800	208	6-20P	270	125	\$14,468
CAB4-913ET	32.25"	32.25"	36"	8.12"-9.12"	14.2	2800	208	6-20P	278	125	\$14,999
CAB4-1013ET	32.25"	32.25"	36"	9.12"-10.12"	14.2	2800	208	6-20P	286	125	\$15,575
CAB4-1200ET	36"	36"	36"	10.12"-12"	14.2	2800	208	6-20P	313	125	\$17,258
CAB4-1450ET	42"	42"	36"	12"-14.5"	14.2	2800	208	6-20P	337	125	\$18,200

MOBILE ENCLOSED FOUR-STACK DISH DISPENSERS WITH QUICK TEMP HEATED DISPENSERS

CAB4-813QT	32.25"	32.25"	36"	7.25"-8.12"	14.2	2800	208	6-20P	290	125	\$16,028
CAB4-913QT	32.25"	32.25"	36"	8.12"-9.12"	14.2	2800	208	6-20P	298	125	\$16,608
CAB4-1013QT	32.25"	32.25"	36"	9.12"-10.1"	14.2	2800	208	6-20P	306	125	\$17,191
CAB4-1200QT	36"	36"	36"	10.12"-12"	14.2	2800	208	6-20P	333	125	\$18,918
CAB4-1450QT	42"	42"	36"	12"-14.5"	14.2	2800	208	6-20P	351	125	\$19,956

Mobile Dispensing Equipment accessories and modifications can be found on page 96. | NOTE: Non-Marring Rods reduces allowable dish diameter by 1.25". Non-Marring Rods factory recommended for DIS-1200 with plate diameter of 10.13" - 10.75" and DIS-1450 with plate diameter of 12" - 13.25". Please consult with factory to confirm operational fit.

MOBILE DISPENSING EQUIPMENT

CT — MOBILE CANTILEVER TRAY AND RACK DISPENSERS



CT-1826

- Elevating mechanism cabinet to be 14-gauge stainless steel
- Base to be 14-gauge stainless steel, reinforced with 14-gauge stainless steel support channels
- (4) 4.00" diameter polyolefin swivel casters (all locking)
- Non-marring gray corner bumpers
- Dispenser platform carrier to be 16-gauge stainless steel and mounted on two stainless steel cantilever arms
- Self-leveling mechanisms shall be adjustable by adding or removing stainless steel extension springs located behind removable panel
- One year parts and labor standard warranty. Additional warranties available

MODEL	L	D	H	MAXIMUM TRAY SIZE	SHIP WEIGHT	FREIGHT CLASS	LIST PRICE
MOBILE CANTILEVER TRAY AND RACK DISPENSERS							
CT-1216	13"	22"	37"	12" x 16"	106	100	\$6,180
CT-1221	13"	27.88"	37"	12" x 21"	132	100	\$6,032
CT-1418	15"	27.88"	37"	14" x 18"	145	100	\$6,304
CT-1422	15"	27.88"	37"	14" x 22"	145	100	\$6,358
CT-1622	17.25"	27.88"	37"	16" x 22"	159	100	\$6,494
CT-1826	21"	31.75"	37"	18" x 26"	165	100	\$6,682
CT-2020	21"	27.88"	37"	20" x 21"	168	100	\$6,682

Mobile Dispensing Equipment accessories and modifications can be found on page 96.

T AND T2 — MOBILE ENCLOSED TRAY AND RACK DISPENSERS



T-1418



INTERIOR VIEW OF T-1418

T SERIES ONLY

- Cabinet top to be 16-gauge stainless steel, welded, polished and reinforced
- Cabinet sides to be 20-gauge stainless steel
- Cabinet bottom to be 14-gauge galvanized steel
- (4) 4.00" polyolefin swivel casters (all locking)
- Dispenser platform carrier shall be 18-gauge stainless steel and removable for cleaning
- Non-marking corner gray bumpers
- Self-leveling mechanisms shall be adjustable by adding and removing stainless steel extension springs located inside the elevator housing
- One year parts and labor standard warranty. Additional warranties available

T/T2-H SERIES ONLY

- Heated dispenser has a stainless steel liner and 2.00" of fiberglass insulation
- On/off switch and 9' cord and plug standard
- Dispenser is heated with convection heated modules
- Air intake is standard with filter
- Adjustable thermostat
- Temperatures between 150-170° F. (66-77°C)
- One year parts and labor standard warranty. Additional warranties available

LAMINATE & FIBERGLASS PRICING CHART
MUST SPECIFY COLOR SELECTION ON ORDER.

MODEL	FIBERGLASS PANEL PRICE
T-1216	\$970
T-1221	\$970
T-1422	\$1,024
T-1622	\$1,024
T-1826	\$1,024
ALL T2'S	\$1,050
ALL T-H'S	\$895

MODEL	LAMINATE PANEL PRICE
T-1216	\$739
T-1221	\$739
T-1422	\$788
T-1622	\$788
T-1826	\$806
ALL T2'S	\$792
ALL T-H'S	\$792

For a complete list of fiberglass colors, contact Delfield or visit the website at www.delfield.com.

MODEL	L	D	H	MAXIMUM TRAY SIZE	AMP	VOLTS	NEMA PLUG	SHIP WEIGHT	FREIGHT CLASS	LIST PRICE
-------	---	---	---	-------------------	-----	-------	-----------	-------------	---------------	------------

MOBILE ENCLOSED TRAY AND RACK DISPENSERS

CT-1216	22.75"	20.12"	36"	12"x16"	NA	NA	NA	153	100	\$6,180
CT-1221	27.75"	20.12"	36"	12"x21"	NA	NA	NA	162	100	\$6,032
CT-1418	28.75"	22.12"	36"	14"x22"	NA	NA	NA	162	100	\$6,304
CT-1422	28.75"	22.12"	36"	14"x22"	NA	NA	NA	162	100	\$6,358
CT-1622	28.75"	24.12"	36"	16"x22"	NA	NA	NA	177	100	\$6,494
CT-1826	32.75"	26.12"	36"	18"x26"	NA	NA	NA	210	100	\$6,682

TWO STACK, MOBILE ENCLOSED TRAY AND RACK DISPENSERS

T2-1216	32.75"	24.12"	36"	12"x16"	NA	NA	NA	177	100	\$8,542
T2-1221	32.75"	29.12"	36"	12"x21"	NA	NA	NA	185	100	\$8,542

HEATED MOBILE ENCLOSED TRAY AND RACK DISPENSERS

T-1221H	27.75"	20.12"	36"	12"x21"	6.34	120	5-15P	127	125	\$11,402
T-1418H	24.75"	22.12"	36"	14"x18"	6.34	120	5-15P	155	125	\$8,603
T-1422H	28.75"	22.12"	36"	14"x22"	6.34	120	5-20P	155	125	\$12,140
T-1826H	32.75"	26.12"	36"	18"x26"	12.7	120	5-20P	195	125	\$12,226
T-2020H	27.75"	28.12"	36"	20"x21"	12.7	120	5-20P	185	125	\$8,603

TWO STACK, HEATED MOBILE ENCLOSED TRAY AND RACK DISPENSERS

T2-1221H	32.75"	29.12"	36"	12"x21"	12.7	120	5-20P	185	125	\$12,226
----------	--------	--------	-----	---------	------	-----	-------	-----	-----	----------

Mobile Dispensing Equipment accessories and modifications can be found on page 96.

MOBILE DISPENSING EQUIPMENT

TT AND TT2 — MOBILE OPEN FRAME TRAY AND RACK DISPENSERS | UTS, UTSP - UTILITY CARTS



TT-1422



TT2-1418

- Tubing and base to be 16-gauge stainless steel
- Tubing and base to be integrally welded
- Base to be reinforced with 14-gauge stainless steel angles
- Non-marring gray corner bumpers
- (4) 4.00" diameter polyurethane swivel casters (all locking)
- Dispenser platform carrier shall be 18-gauge stainless steel
- Self-leveling mechanisms shall be adjustable by adding and removing stainless steel extension springs located inside the elevator housing
- Each dispenser section holds 50-60 trays (varies per tray)
- One year parts and labor standard warranty. Additional warranties available

MODEL	L	D	H	MAXIMUM TRAY SIZE	SHIP WEIGHT	FREIGHT CLASS	LIST PRICE
MOBILE OPEN FRAME TRAY AND RACK DISPENSERS							
TT-1014	21.25"	15.25"	37.75"	11" x 15"	102	100	\$4,948
TT-1216	18.25"	20.75"	37.75"	12" x 16"	102	100	\$5,060
TT-1221	18.25"	25.75"	37.75"	12" x 21"	105	100	\$5,184
TT-1418	20.25"	22.75"	37.75"	14" x 18"	102	100	\$5,184
TT-1422	20.25"	26.75"	37.75"	14" x 22"	105	100	\$5,339
TT-1622	22.25"	26.75"	37.75"	16" x 22"	106	100	\$5,341
TT-2020	26.25"	25.75"	37.75"	20" x 21"	111	100	\$5,563
TWO STACK, MOBILE OPEN FRAME TRAY AND RACK DISPENSERS							
TT2-1014	21.25"	26.75"	37.75"	11" x 15"	113	100	\$6,119
TT2-1216	36.5"	20.75"	37.75"	12" x 16"	165	100	\$7,379
TT2-1221	36.5"	25.75"	37.75"	12" x 21"	163	100	\$6,757
TT2-1418	40.5"	22.75"	37.75"	14" x 18"	165	100	\$7,164
TT2-1422	40.5"	26.75"	37.75"	14" x 22"	163	100	\$7,164
TT2-1622	44.5"	26.75"	37.75"	16" x 22"	170	100	\$7,541
TT2-1826	48.5"	30.75"	37.75"	18" x 26"	179	100	\$7,912
TT2-2020	52.5"	25.75"	37.75"	20" x 21"	179	100	\$5,888

Mobile Dispensing Equipment accessories and modifications can be found on page 96.

UT SERIES ONLY

- Silverware bin to have (10) holes made of stainless steel
- Plastic silverware cylinders provided standard

UTSP SERIES ONLY

- Silverware bin to accommodate ¼ size pans (provided) made of stainless steel
- UTSP-1 holds (4) pans and UTSP-2 holds (8) pans

ALL UNITS

- Tray shelves to be one piece molded fiberglass
- Tray shelves to be 14-gauge stainless steel on SS models only
- Color selection required on non-SS models with fiberglass tray. Contact Delfield for a Shelleyglas color chart or visit www.delfield.com
- (4) 4.00" diameter polyolefin swivel casters (all locking)
- Non-marring vinyl sleeve bumper at each corner
- Vertical upper 1.00" diameter 16-gauge tubing frame and tubing bottom to be integrally welded
- One year parts and labor standard warranty. Additional warranties available

MODEL	L	D	H	SHIP WEIGHT	FREIGHT CLASS	LIST PRICE
TRAY AND SILVERWARE CARTS AND STARTER OVERSHELVES						
UTS-1	35.25"	23.37"	46.69"	120	100	\$4,582
UTS-1SS	35.25"	23.37"	46.69"	120	100	\$4,505
UTSP-1	35.25"	23.37"	46.69"	125	100	\$4,934
UTSP-1SS	35.25"	23.37"	46.69"	130	100	\$4,968
UTSP-2	35.25"	23.37"	46.69"	140	100	\$6,514
UTSP-2SS	35.25"	23.37"	60.62"	145	100	\$6,062

MOBILE DISPENSING EQUIPMENT ACCESSORIES

ACCESSORY	DESCRIPTION	LIST PRICE	ACCESSORY	DESCRIPTION	LIST PRICE
T AND T2 SERIES			CT SERIES		
SHM-WRPBUMP	Wrap-around bumpers (adds 1.75" to length and depth)	\$740	SHM-WRPBUMP	Wrap-around bumpers for CT models (adds 1.75" to length and depth)	\$740
—	Flange-mount feet in lieu of standard polyolefin casters	\$366	—	Flange-mount feet in lieu of standard polyolefin casters (CT models)	\$383
—	One pair napkin dispensers	\$511	—	Four 4" diameter heavy duty polyurethane casters (CT models)	\$829
TT6	Six (6) hole silverware bin	\$972	—	Four 5" diameter heavy duty polyurethane casters (CT models)	\$995
TT8	Eight (8) hole silverware bin	\$1,375	—	One pair napkin dispensers (CT models)	\$506
TT10	Ten (10) hole silverware bin	\$1,595	TT6	Six (6) hole silverware bin (CT models)	\$972
—	Additional plastic silverware cylinder (each)	\$54	TT8	Eight (8) hole silverware bin (CT models)	\$1,375
—	Additional stainless steel silverware cylinder (each)	\$131	TT10	Ten (10) hole silverware bin (CT models)	\$1,595
—	Stainless steel silverware cylinder in lieu of standard plastic cylinder (each)	\$85	502D	Stainless steel silverware cylinder in lieu of standard plastic cylinder; CT models; (each)	\$94
—	Special heights add	ADD 10%	—	Additional plastic silverware cylinder; CT models; (each)	\$54
T-PDC	Plastic dust cover	\$853	—	Additional stainless steel silverware cylinder; CT models; (each)	\$131
UTS, UTSP			CT-PUSH	Push handles (CT models)	\$773
—	Rolling bumpers (adds 2.5" to length & depth)	\$224	—	Special heights (CT models)	ADD 10%
UTS-ND	One pair napkin dispensers (UTS & UTS-SS only)	\$547			
6230022	Additional plastic silverware cylinder (UTS & UTS-SS only)	\$40			
3234052	Additional stainless steel silverware cylinder (UTS & UTS-SS only)	\$97			
502D	Stainless steel silverware cylinder in lieu of standard plastic cylinder (UTS & UTS-SS only)	\$94			
TT6	Six (6) hole silverware bin	\$972			
TT8	Eight (8) hole silverware bin	\$1,375			
TT10	Ten (10) hole silverware bin	\$1,595			
CAB2, CAB3, AND CAB4 SERIES					
—	12" diameter stainless steel dish dispenser tray (-1200 and -1450 models only)	\$89			
—	Non-marring rods for oval dishes and diameter adjustment (-813 through -1450 only) per dispenser installation reduces dispenser diameter by 1.25"	\$688			
—	Stainless steel tube cover (-500 thru -725-ET and non-heated models)	\$546			
—	Stainless steel dome cover (-813 through -1450 models non-heated models; standard on -QT models; each)	\$739			
—	Hold-down rod for dispenser tubes	\$169			
CAB-WRPBUMP	Wrap-around bumpers (-500 through -1200 only; adds 1.75" to length and depth)	\$742			
CAB1450-WRPBUMP	Wrap-around bumpers (-1450 only; adds 1.75" to length and depth)	\$953			
CAB-CASTER4	Four 4" diameter polyurethane casters (four locking) in lieu of standard casters	\$910			
—	Four 5" diameter polyurethane casters (four locking) in lieu of standard casters	\$995			
CAB-FF	Flange-mount feet in lieu of standard casters	\$427			
—	Shorten dispenser tubes to special length	ADD 10%			

DOMESTIC U.S. TERMS AND CONDITIONS

1. PRICES Unless otherwise specifically agreed, all prices are for material packed for domestic shipment and for delivery F.O.B. point of manufacture. Acceptance of your order is based on present costs, and the prices set forth herein are subject to increase by Seller at any time prior to delivery in respect to all or any portion of the material on order to the extent necessary to cover Seller's increased costs applicable thereto.

2. DELIVERY Shipping dates are approximate and based on prompt receipt of all necessary information. All risks of loss shall be on the Buyer from point of shipment. Buyer shall pay all transportation and delivery charges to final destination.

3. DEFAULT If Buyer shall fail or refuse to accept delivery of the equipment or parts ordered hereunder or should default in the performance of any of the terms, covenants and conditions of this agreement, Seller may retain the cash deposited or paid to it and/or equipment accepted by it on account of the sale price and apply the same toward payment of its damages.

4. DELAYS Seller shall not be liable for loss or damage due to delay in delivery, manufacture or installation resulting from any cause beyond Seller's reasonable control, including but not limited to, compliance with any regulation, orders or instructions of any federal, state or municipal government or any department or any agency thereof, acts of nature, acts or omissions of the Buyer, acts of civil or military authority, fires, strikes, factory shutdowns or alterations, embargoes, wars, riot, delays in transportation, or inability due to cause beyond the Seller's reasonable control to obtain necessary labor or materials from the Seller's usual sources; and any delays resulting from any such cause shall constitute cause for extending delivery dates and receipt of the goods shall constitute a waiver of all claims for damage. In no event shall Seller be liable for special or consequential damages.

5. PAYMENT TERMS The terms of sale herein are subject to credit approval and Seller may at any time prior to delivery modify the terms of payment originally specified to require payment in advance. Lacking credit approval, sales will be made on a cash with order, pro forma invoice or cash on delivery basis. All printed prices are quoted F.O.B. Factory, subject to terms as printed and subject to change without notice.

If the total selling price is not paid when due, buyer shall pay late charges equal to the highest lawful contract rate of interest not to exceed 1 1/2% per month computed from the due date on the unpaid balance of the total selling price.

6. SPECIFICATIONS Quantities and sizes are subject to variation in accordance with Seller's standard practices, tolerances and the requirements of the job where the equipment covered by this order is to be installed.

7. INSTALLATION If the order acknowledgment provides for installation, Seller's obligation to deliver the equipment and provide for its installation shall in no event commence until the premises are ready to receive the equipment, and such obligations shall be subject to all the other terms hereof. Costs and expenses to Seller or its contractor due to delays in installation caused by interference by other contractors working on the premises will be charged to Buyer. Installation costs stated in this order are estimated, cover only installation of the equipment specified herein, and do not cover any other costs, including, but not limited to, costs of electrical work, carpentry, plumbing, sweeping, mopping, dusting or general cleanup. Seller or its contractor shall not be responsible for removing or disposing of packing material, cartons, boxes or other containers housing the equipment.

8. TAXES The amount of taxes stated on the order, if any, is approximate only. Buyer is liable for the full amount of all taxes applicable to or as a result of a transaction, exclusive of franchise taxes and taxes measured by the net income of Seller. Buyer shall pay the amount of all such taxes at any time requested by Seller as if originally added to the price. If Seller pays the taxes, Buyer shall reimburse Seller therefor.

9. INSURANCE Buyer shall provide and maintain adequate insurance for the product delivered against loss or damages by fire or other causes during the time between delivery and final payment, in an amount fully protecting Seller, and loss or damage by fire or other causes within such period shall not relieve Buyer from its obligations under this contract. Buyer shall provide and maintain adequate liability and workmen's compensation insurance covering all workers who may assist in the erection of product delivered.

10. CANCELLATION Buyer may cancel its order, reduce quantities, revise specifications or extend schedules only by mutual agreement as to reasonable and proper cancellation charges which shall take into account expenses already incurred and commitments made by Seller, and Buyer shall indemnify Seller against any loss.

11. STANDARD ONE-YEAR WARRANTY The Delfield Company ("Delfield") warrants to the Original Purchaser of the Delfield product (herein called the "Unit") that such Unit, and all parts thereof, will be free from defects in material and workmanship under normal use and service for a period of one (1) year from the date of shipment of the Unit to the Original Purchaser or, if the Original Purchaser returns the warranty card completely filled out including the date of installation within thirty (30) days of receipt of the Unit, one (1) year from the date of installation. During this one year warranty period, Delfield will repair or replace any defective part or portion thereof returned to Delfield by the Original Purchaser which Delfield determines was defective due to faulty material or workmanship. The Original Purchaser will pay all labor, crating,

freight and related costs incurred in the removal of the Unit or defective component and shipment to Delfield, except that during a period of either 1 year from the date of shipment of the Unit to the Original Purchaser or, if the Original Purchaser returns the warranty card completely filled out including the date of installation within thirty (30) days of receipt of the Unit, 1 year from the date of installation Delfield will pay all related labor costs. Delfield will pay the return costs if the Unit or part thereof was defective.

The term "Original Purchaser" as used herein means that person, firm, association, or corporation for whom the Unit was originally installed.

This Warranty does not apply to any Unit or part thereof that has been subjected to misuse, neglect, alteration, or accident, such as accidental damage to the exterior finish; operated contrary to the recommendations specified by Delfield; or repaired or altered by anyone other than Delfield in any way so as to, in Delfield's sole judgment, affect its quality or efficiency. This Warranty does not apply to any Unit that has been moved from the location where it was originally installed. This Warranty also does not cover the refrigerator drier or the light bulbs used in the Unit. The warranty is subject to the user's normal maintenance and care responsibility as set forth in the Service and Installation Manual, such as cleaning the condenser coil, and is in lieu of all other obligations of Delfield. Delfield neither assumes, nor authorizes any other person to assume for Delfield, any other liability in connection with Delfield's products.

Removal or defacement of the original Serial Number or Model Number from any Unit shall be deemed to release Delfield from all obligations hereunder or any other obligations, express or implied.

Parts furnished by suppliers to Delfield are guaranteed by Delfield only to the extent of the original manufacturer's express warranty to Delfield. Failure of the Original Purchaser to receive such manufacturer's warranty shall in no way create any warranty, express or implied, or any other obligation or liability on Delfield's part in respect thereof.

If shipment of a replacement part is requested prior to the arrival in the Delfield factory of the part claimed to be defective, the Original Purchaser must accept delivery of the replacement part on a C.O.D. basis, with credit being issued after the part has been received and inspected at Delfield's plant and determined by Delfield to be within this Warranty.

Under no condition does this Warranty give the Original Purchaser the right to replace the defective Unit with a complete Unit of the same manufacturer or of another make. Unless authorized by Delfield in writing, this Warranty does not permit the replacement of any part, including the motor-compressor, to be made with the part of another make or manufacturer.

No claims can be made under this Warranty for spoilage of products for any reason, including system failure.

The installation contractor shall be responsible for building access, entrance and field conditions to insure sufficient clearance to allow any hood(s), vent(s) or Unit(s), if necessary, to be brought into the building; Delfield will not be responsible for structural changes or damages incurred during installation of the Unit or any exhaust system.

Delfield shall not be liable in any manner for any default or delay in performance hereunder caused by or resulting from any contingency beyond Delfield's control, including, but not limited to, war, governmental restrictions or restraints, strikes, lockouts, injunctions, fire, floods, acts of nature, short or reduced supply of raw materials, or discontinuance of the parts by the original part manufacturer.

Except as provided in any Additional Four Year Protection Plan, if applicable, and the Service Labor Contract, if applicable, the foregoing is exclusive and in lieu of all other warranties, whether written or oral, express or implied. This Warranty supersedes and excludes any prior oral or written representations or warranties. Delfield expressly disclaims any implied warranties of merchantability, fitness for a particular purpose or compliance with any law, treaty, rule or regulation relating to the discharge of substances into the environment. The sole and exclusive remedies of any person relating to the Unit, and the full liability of Delfield for any breach of this warranty, will be as provided in this warranty.

Other than this Delfield Standard One Year Limited Warranty, any applicable Delfield Additional Four Year Protection Plan or applicable Delfield Service Labor Contract, the Original Purchaser agrees and acknowledges that no other warranties are offered or provided in connection with or for the Unit or any part thereof.

In no event will Delfield be liable for special, incidental or consequential damages, or for damages in the nature of penalties.

12. APPLICABLE LAW Variation of Terms. The rights and obligations of Seller and Buyer under an order shall be governed by the laws of the state where accepted by Seller. No waiver, modification, or addition to any of the terms of this order shall be binding on Seller unless made in writing by The Delfield Company. The provisions of an order are intended by Buyer and Seller as a final expression of their agreement and are intended also as a complete and exclusive statement of all terms applicable to Buyer's order.

ORDERING AND SHIPPING

NOTE: Possession of this price list does not necessarily constitute an offer to sell by The Delfield Company.

This Price Guide supersedes all other price lists. Although reasonable care has been taken to insure the accuracy of information in this Price Guide, Delfield cannot be held liable for any errors or omissions. Prices shown in this Price Guide are for standard Delfield models with standard electrical characteristics as described in sales and technical literature. All prices and specifications are subject to change without notice.

PAYMENT TERMS

SHIPPING CARRIER

Delfield reserves the right to ship merchandise via any responsible carrier available at the time equipment is ready for shipment. When carrier or shipping routing is designated by dealer, Delfield will attempt to comply. Delfield cannot be held responsible for carrier rate differences; this is beyond our control. Rate differences are entirely between carrier and purchaser.

RMA – RETURNED PRODUCT POLICY

The following is the policy for Returns from the customer.

- 1 | All returned product must have an RMA number from Customer Service prior to sending the product back.
- 2 | The product must be standard product, still crated and within 90 days from date invoiced. Standard products are defined as product configurations that are saleable to the general market. Custom Products are product configurations that are unique to a specific customer and cannot be sold to other customers. Obsolete discontinued products cannot be returned.
- 3 | If return is approved for standard product, the standard restock charge is 30% or 20% if a replacement order is made.
- 4 | Custom product is non-returnable.
- 5 | Applicable freight charges and re-crating will be the customer's responsibility.
- 6 | RMA number must be clearly written on all shipping paperwork to factory/warehouse.
- 7 | RMA will be valid for 45 days from date of issue.

CONCEALED DAMAGES

All of our crating conforms to general motor carrier specifications. If the container shows rough handling or visible damage, in order to minimize liability, a full inspection is necessary upon arrival. A notation must be placed on the freight bill and signed by the truck driver. Appearance of damage will necessitate removing the crate in the presence of the driver. Claims for damages must be filed at once by purchaser with the freight carrier.

TAXES

Prices shown do not include federal, state or other existing taxes. Applicable taxes will be charged and added to the invoice unless an exemption certificate and tax identification number is received.

STORAGE CHARGES

Our shipping commitment is determined in accordance with delivery requirements and our best ability to fabricate. If, after the equipment has been fabricated, the customer requests delay in shipment and warehousing is required, the following schedule will apply: 1) Any equipment held for shipment at the purchaser's request for a period of 30 days beyond the delivery date specified shall become immediately payable. 2) If equipment is held beyond 60 days after the delivery date specified, storage charges will be added.

SANITATION CODES

If you are placing equipment into an area which has certain sanitation requirements other than N.S.F. standards, Delfield must be advised of these specifications in detail before fabrication of the equipment, in order that we may quote additional costs, if any. Failure to notify Delfield before fabrication releases us from any obligation to modify our standards without additional charges.

ORDERS AND DRAWINGS

To assure prompt and correct fabrication, Delfield must have all necessary information on the original order. Do not overlook finishes, accessories, and other options needed for a finished installation.

Please check the following items when ordering:

- Are all model numbers correct?
- Are stainless steel or laminate finished ends required?
- Is the laminate pattern and/or color number included?
- Are extra utility outlets needed?
- Are overselves needed?
- Are end fillers and/or risers needed?
- Is a special refrigerant required?
- Are all specifications of equipment by others included?
- Are the electrical specifications correct?
- Are kick plates needed?
- Are special tops and backs needed for focal point operation?
- Is your shipping address complete, including zip code?
- Is special shipping required?
- Have you indicated the date required?

SERVICE PARTS

All orders for service parts have a minimum charge. This policy may be modified by Delfield without notice. Prices shown for parts in this price list are for use when ordering an accessory with an original unit. Prices may vary when ordered separately from the Parts Department.

WARRANTY

Warranty must be purchased at the time of sale only.

LIMITED EXTENDED WARRANTY COVERAGE

The purchase of a Limited Extended Warranty Contract extends the standard warranty coverage to the purchased period of time (from one to two years) from the date of installation, start-up, or demonstration, or 18 months from date of shipment, whichever comes first. Individual warranties may vary by model, part or application. Major components have labor extended an additional year with the purchase of an extended warranty, but not parts. Extended warranties are non-transferable. Only available in the 48 contiguous US states (Hawaii and Alaska are excluded).

- * An additional one (1) year Labor Warranty can be purchased for select pieces of equipment.
- * Extended Warranty must be purchased at the same time the equipment is purchased.
- * Extended Warranty has the same exclusions as stated in our standard warranty.

CODE	WARRANTY DESCRIPTION	NET PRICE
DELFIELD US & CANADA WARRANTY OPTIONS		
0460000	WARRANTY, 1YR, SERVICE/LABOR	\$471
0550000	WARRANTY, 2YR, PARTS & LABOR (MTP)	\$897
0550000C	WARRANTY, 2YR, PARTS & LABOR (COV)	\$589
0460003CN	WARRANTY, 3YR, P/L, NO CHARGE (COV)	\$0
W00003N	WARRANTY, 1YR COMP, NO CHARGE (MTP)	\$0
W00003AN	WARRANTY, 5YR COMP, NO CHARGE (MTP)	\$0

INDEX BY MODEL

200.....	77	GUR.....	17
300.....	77	KC.....	67
402P.....	27	KCFT-NU.....	64
403P.....	27	KCI.....	65
406P.....	25	KCS.....	68
406CAP.....	25	KCSC-BP.....	62
407P.....	25	KCSC-EFP.....	62
407CAP.....	25	KCTS.....	68
4400NP MEGA.....	31	KCU.....	66
4400NP SALAD.....	30	KH.....	61
8100-EFP.....	79	KHC-NU.....	63
18600BSTMP.....	27	KHCR-BP.....	63
18600BUCMP.....	27	LT.....	87
18600PDL.....	34	N8000N.....	78
18600PTBMP.....	34	N8000-R.....	84
18600PTLP.....	34	N8100BP.....	78
ASMP.....	44	N8100-BRP.....	84
CAB2.....	92	N8100-FAP.....	79
CAB3.....	93	N8100NP.....	78
CAB4.....	94	N8200.....	80
CD.....	86	N8200G.....	80
CT.....	95	N8200-ST.....	80
CTP-NBP.....	34	N8600.....	81
CV5E.....	23	N8700.....	82
CV10E.....	23	N8700N.....	82
CV15E.....	23	N8700-R.....	84
CV15E-2.....	23	N8800.....	81
D4400NP-M.....	31	ND.....	86
D4400NP-S.....	30	SALD-1.....	90
DCFS.....	51	SC.....	59
DCFSCR.....	51	SCFT-NU.....	56
DIS.....	85	SCI.....	57
EHEI.....	42	SCS.....	60
F5.....	45	SCSC-B.....	54
F15.....	46	SCSC-EF.....	54
F26/F27.....	39	SCTRI.....	60
F28/F29.....	39	SCTS.....	60
FLEXISHIELD® FOOD SHIELDS.....	49	SCU.....	58
GADT.....	12	SH.....	53
GAF.....	10	SHC.....	55
GAFF-D.....	14	SHCR-B.....	55
GAFPT.....	12	ST4048P.....	27
GAFRI.....	13	ST4400NP-M.....	31
GAH.....	11	ST4400NP-S.....	30
GAHPT.....	11	STD4400NP-M.....	31
GAHRI.....	13	STD4400NP-S.....	30
GAHRT.....	14	T.....	96
GAR.....	10	T2.....	96
GARPT.....	12	TT.....	97
GARRI.....	13	TT2.....	97
GARRT.....	14	UC4048P.....	25
GBFP.....	20	UTS.....	97
GBRP.....	19	UTSP.....	97
GUF.....	18		

THIS PAGE LEFT BLANK

THIS PAGE LEFT BLANK



Welbilt offers fully-integrated kitchen systems with award-winning product brands: **Cleveland**[™], **Convotherm**[®], **Crem**[™], **Delfield**[®], **Frymaster**[®], **Garland**[®], **Kolpak**[®], **Lincoln**[®], **Manitowoc**[®] **Ice**, **Merco**[®], **Merrychef**[®] and **Multiplex**[®]. Supported by service brands: **KitchenCare**[®], aftermarket parts and service; **FitKitchen**[®], fully-integrated kitchen systems; and **KitchenConnect**[®], cloud-based open digital platform.

Bringing innovation to the table • **welbilt.com**